

XV-4A000

DMX to 0-10V Converter

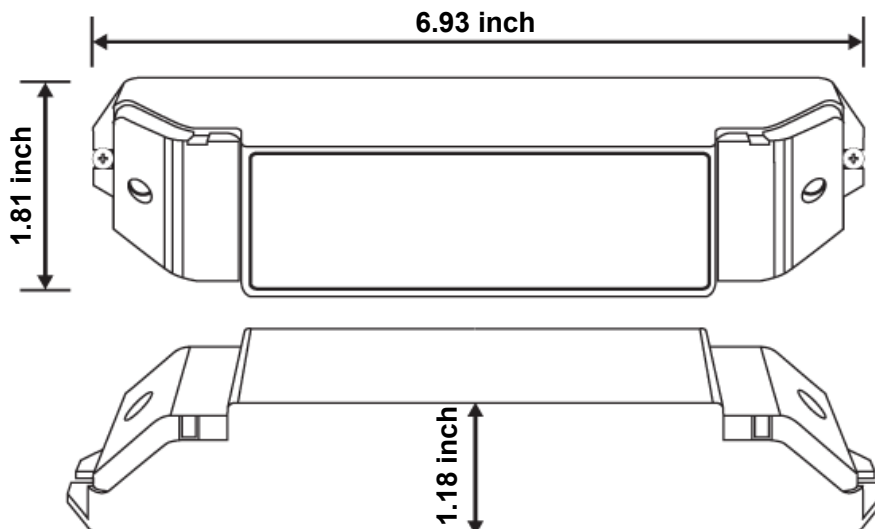
Product Features

- Meets DMX512(1990) International Standard.
- Set DMX address with DIP Switches.
- Input voltage 12-24VDC.
- 4-Channel 0-10V analog signal output.
- Power off memory.
- DMX signal protection.

Product Specifications

- | | |
|-----------------------|---------------------------------|
| • Input Voltage Range | 12-24VDC |
| • Input Signal | DMX512/1990 |
| • Output Signal | 0-10V analog signal |
| • Max. Output Current | 30 mA |
| • DMX512 Connection | Terminal Block |
| • Channels | 4 |
| • Product Dimensions | L 6.93 x W 1.81 x H 1.18 (inch) |
| • Weights | 0.39 lbs |

Dimensions



XV-4A000

DMX to 0-10V
Converter

XV-4A000

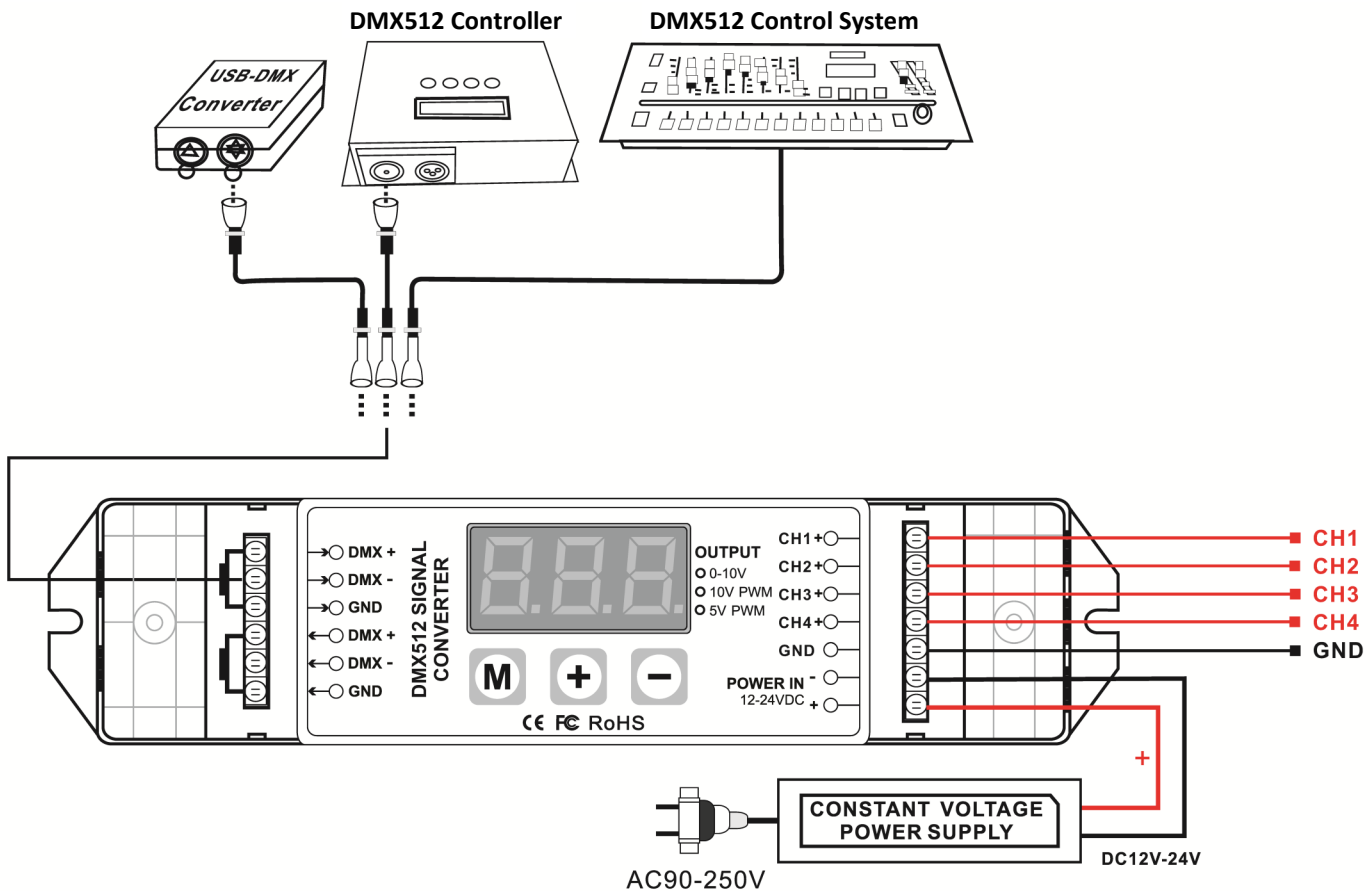
DMX to 0-10V Converter

Safety Warnings

1. Please read the instructions carefully before use.
2. Do not install this driver near thunder fields or high voltage lines or strong magnetic fields.
3. Check and ensure all wiring connections are correct and to avoid a short circuit prior to damage driver or cause fire.
4. Installation should be in a well ventilated area. Not rated for wet or damp locations.
5. 12-24VDC constant voltage power supply is required. Please make sure the power supply is correct before installation.
6. Do not install this driver with the power on. After installation, please check all connections and make sure there is not short circuit before power on.
7. Do not try to repair it by yourself. If you have any question, please contact the vendor.

Typical Layouts

- Connection diagram of the DMX signal input slave mode:



XV-4A000

DMX to 0-10V Converter

Operating Instructions

3 Touch buttons: M, +, -

M	Select display digit
+	Increase
-	Decrease

- The 3 LED display indicates DMX addresses (000 to 512) or preprogrammed modes (600 to 999).
- The display turns off after 1 minute of no activity. Press any key to re-activate.

Note:

The decoder has an automatic key lock. If no setting changes are made to the decoder, the key lock function is automatically activated after approximately 15 seconds. Pressing the “M” button for about 2 seconds will deactivate the key lock.

• **DMX Slave Mode:**

When this converter receives a normal DMX512 signal, the decimal point at the last digit will be flashing regularly, otherwise, the decimal point will not light up, and the digital display only shows the current DMX address, for example, when the converter receives some wrong DMX512 signal or was shorted, the decimal point will not light up, and the digital display only shows the current DMX address. But when the problem has been fixed, the converter will work as normal.



A Table of Modes

Digital Display	Result
000	Set all channels to 100%
001-512	Set DMX address
600-699	Set dimming at channel 1 from 0% to 99%
700-799	Set dimming at channel 2 from 0% to 99%
800-899	Set dimming at channel 3 from 0% to 99%
900-999	Set dimming at channel 4 from 0% to 99%

XV-4A000

DMX to 0-10V Converter

DMX to 01-10V
Converter

XV-4A000

Troubleshooting Guides

Problem	Reason	Solution
No Light (s)	No power	Check power supply and wiring
	Reversed polarity	Check wiring
	Signal terminal not connected or reversed	Check wiring
	Long circuit	Add DMX signal terminator or use amplifier
Wrong color (s)	Wrong RGB wiring	Check wiring
	Wrong decoder address entered	Enter the correct address
1 or more colors are lit, but no change	Signal terminator has wrong connection or reversed	Check wiring
	Long circuit	Add DMX signal terminator or use amplifier
Abnormal flickering	Signal terminator has wrong connection	Check wiring
	Long circuit	Add DMX signal transmitter or use amplifier