

S708-P-DZB

Zigbee Compatible Line Voltage PIR High Bay Sensor



Multi-element PIR detector

Dims 0(1)–10V LED drivers/ballasts

Zero-crossing relay for reliable long life operation

Daylight harvesting enabled by internal photodiode



Up to 2,100 ft² detection coverage at 41' mount height (low bay lens avail.)

Wirelessly integrate with a Zigbee HA 1.2 compatible control system

Adjust and automate remotely

Low cost & warrantied for 3 years

PRODUCT OVERVIEW

Introduction

The S708-P-DZB is a Zigbee HA 1.2 compatible motion and light sensor with line voltage relay designed for installation on commercial and industrial lighting fixtures such as troffers, high bays, and shoeboxes. The sensor uses passive infrared (PIR) sensing technology to detect motion in its coverage area and automatically dim or turn off lights when persons have left the area, reducing energy usage. A built-in photodiode enables daylight harvesting operation and increases savings.

Operation

The sensor provides power to connected lights when motion is detected. When the sensor no longer detects movement and the standby time delay expires, 0(1)–10V dimming compatible lights are dimmed according to the set dimming level and will eventually be switched off after the dimming time delay expires. A set ambient light threshold can keep lights off if there is sufficient natural light, leading to additional energy savings.

Commissioning

Setup and adjustments are performed via Cortet by CEL's Cortet Lighting platform or a Zigbee HA 1.2 compatible lighting control system. Appropriate control software allows parameter changes to PIR detector sensitivity, standby/dimming time delays, dimming level, and ambient light threshold in order to meet California Title 24 compliance or other local energy regulations.

Applications

This high bay sensor is designed for installation on a light fixture body, ideal for the following applications:

LOCATIONS

- Warehouses
- Factories
- Workshops
- Conference halls
- Sports complexes
- Covered parking areas

FIXTURES

- Canopy
- Troffer
- High bay directional
- Shoeboxes
- Floods
- Wall parks

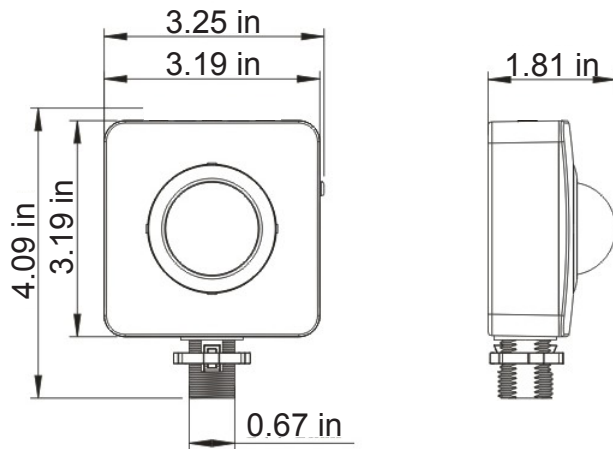
FEATURES

- Line voltage on/off control of lighting fixture(s)
- 0(1)–10V dimming control compatible with dimmable LED drivers and fluorescent ballasts
- Using appropriate lighting control software, Zigbee compliant gateway control allows easy sensor setup, adjustment, override, and automation
- Multi-element PIR detector has excellent sensing performance across wide range of temperatures
- Up to 2,100 ft² coverage area at 41 ft mount height (low bay lens optimized for 10 ft mount height also available)
- 1 second to 60+ minutes standby and dimming time delays for a wide range of installations and applications
- Daylight harvesting functionality can observe ambient light threshold set at measured or preset light levels
- UV resistant, flame retardant, impact resistant, and recyclable polycarbonate construction

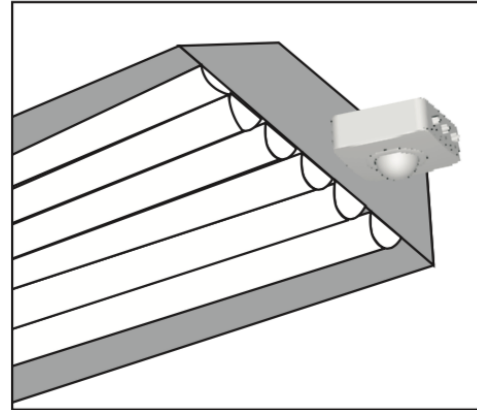
SPECIFICATIONS

- Input Voltage: 120/208–240/277VAC @ 50/60Hz
- Relay Load Ratings: Max 800W @ 120VAC, 1000W @ 208–240VAC, and 1200W @ 277VAC
- 0(1)–10VDC Dimming Current: 100mA (max sink)
- Photocell Sensitivity Range: 1–300 fc
- Radio Transmit Power: +20 dBm
- Operating Temperature: –4 to +140 °F (–20 to +60 °C)
- Operating Humidity: 0–95% non-condensing
- Weatherproof Rating: IP50 for indoor use only
- Wireless Compatibility: Zigbee Home Automation 1.2
- Safety Certifications: UL/cUL listed, CE
- Regulatory Compliance: FCC, RoHS, CA Title 24

DIMENSIONS

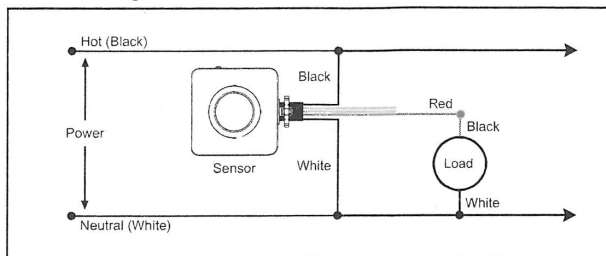


MOUNTING

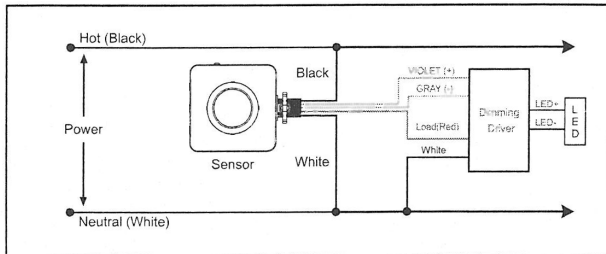


WIRING

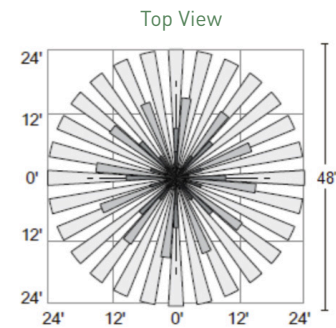
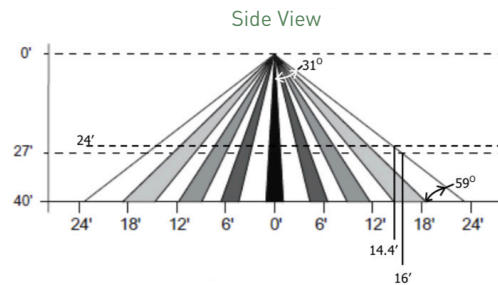
Non-Dimming Driver



Dimming Driver



COVERAGE PATTERN



ORDERING INFORMATION

Part Number	Color	Description
S708-P-DZB	White	High bay PIR motion and light sensor with 0(1)–10V dimming & Zigbee compatible control capabilities
S708-ACC-LW3	White	Optional low bay lens assembly for 10' mount height (13' detection radius)