
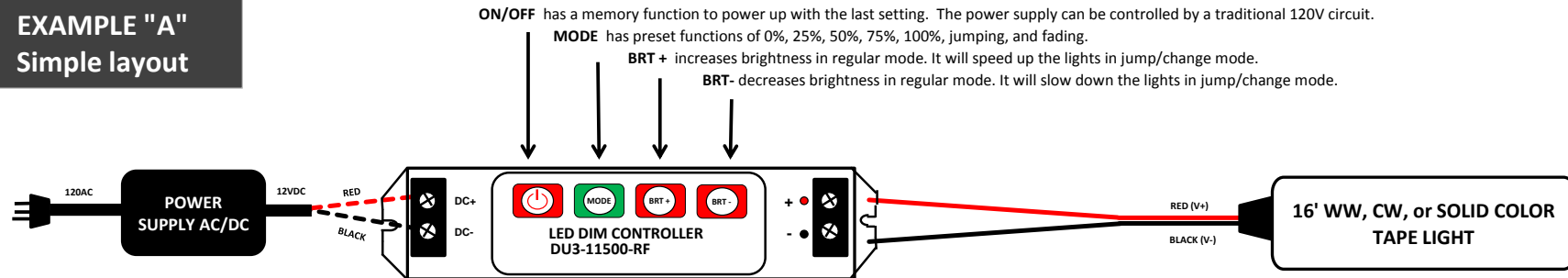




PRODUCT INFORMATION AND SPECS:

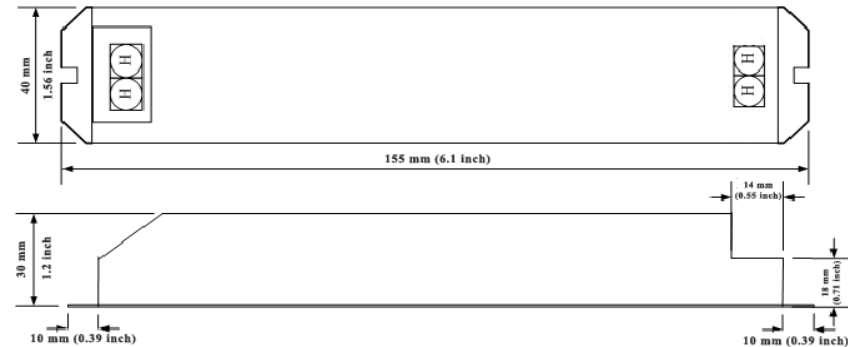
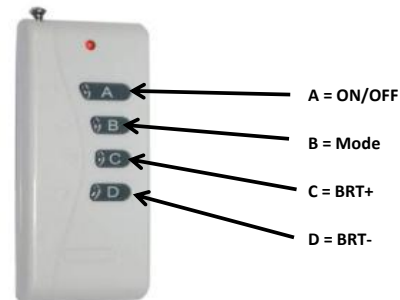
Product Application:	The DU3-11500-RF is used to control single channel lighting strips or fixtures. Typically solid color, warm white, and cool white LEDs are the light sources. It includes a RF wireless remote control in addition to the controller touch pad. Only one stand alone DU3-11500-RF is needed to control the LED lights in a series. Power repeaters are used to amplify the signal and power up the next series of lights.		
			
	Product Specification:	Voltage input range (DC): 12-24VDC	Dimming levels: 0-100%
	Number of channels: 1	Speed adjustment: 8 levels	Max output power: 12V = 180W 24V = 360W
	Maximum output per channel: 15A / channel	Built in modes: 0% 25% 50% 75% 100% plus jump/fade modes	Controller dimensions: 6.1" x 1.57" x 1.18"

EXAMPLE "A"
Simple layout



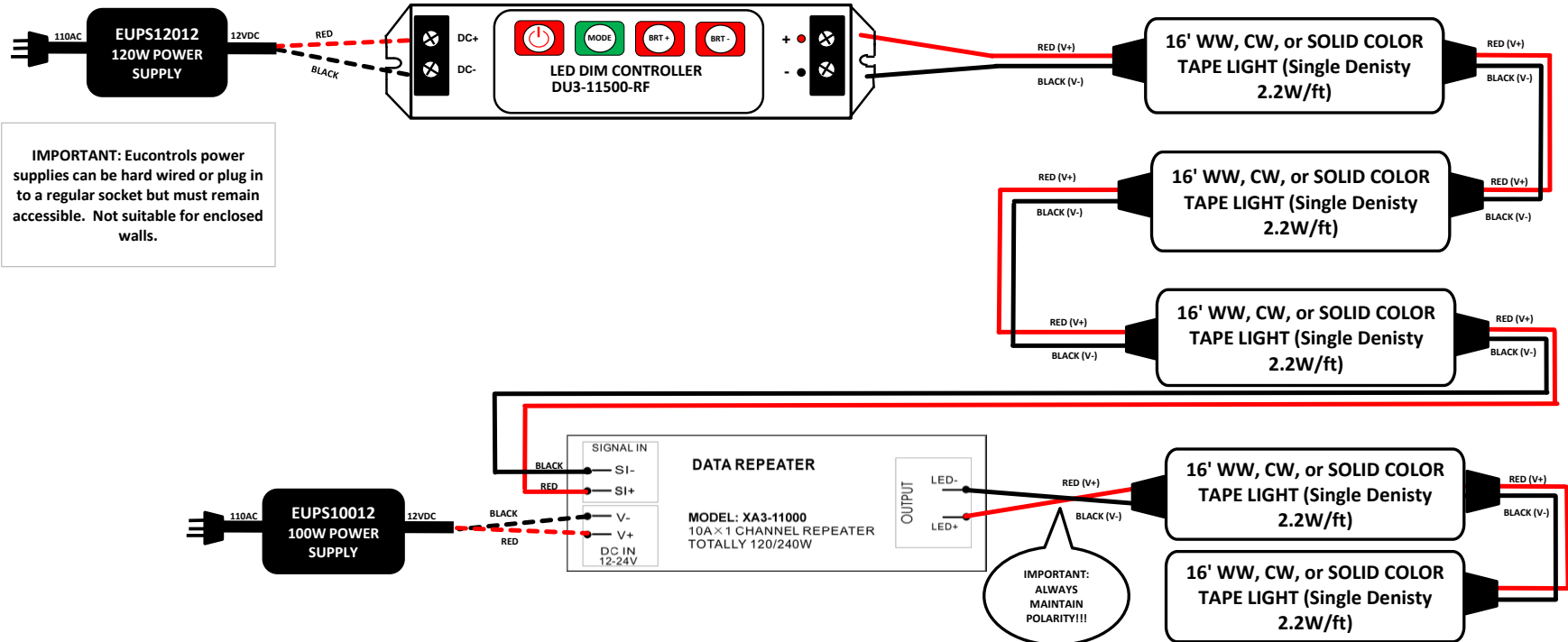
HOW TO CALCULATE THE APPROPRIATE POWER SUPPLY NEEDED: Single density tape lights (approx 9 LEDs/ft) use 2.2W / ft. Double density tape lights (approx 18 LEDs / ft) use 4.4W / ft. Using a 10% cushion, each power supply is listed below with its maximum load. For example the EUPS06012 will power 25' of single density tape light. The formula is $60W \times .90 / 2.2 = 25'$.

POWER SUPPLY	WATTS	MAX TAPE LENGTH	
		SINGLE	DOUBLE
EUPS03612	36	15'	7.5'
EUPS04812	48	20'	10'
EUPS06012	60	25'	12.5'
EUPS10012	100	40'	20'
EUPS12012	120	50'	25'





**EXAMPLE "B" Extended layout of 80' run with
repeater and extra power supply**



EuControls Standard Product Warranty

PRODUCT WARRANTY: EuControls warrants that at the time of shipment, the standard products manufactured by EuControls, and sold hereunder, will be free from defects in material and workmanship for a period of three years from the date of shipment.

Warranty Adjustment: Buyer shall notify EuControls immediately if any defect within the warranty period should appear. EuControls agrees to repair or furnish a replacement for, but not install, any product which within three (3) years from the date of shipment by EuControls, shall upon examination by EuControls, prove defective within the above warranty period. No product will be accepted for return or replacement without written authorization of EuControls. Upon such authorization, and in accordance with instructions by EuControls, the product will be returned shipping charge prepaid by Buyer. Replacements made under this warranty will be shipped prepaid by Seller.

Exclusions from Warranty: This warranty does not extend to any products manufactured by EuControls which has been subjected to misuse, neglect, accident, improper installation or use in violation of instructions furnished by EuControls. This warranty does not extend to, or apply to, any unit which has been repaired or altered other than at EuControls' factory, or by persons not expressly approved by EuControls. Components purchased or made by Buyer from any supplier other than EuControls shall bear only the warranty given by the manufacturer of that product, and EuControls assumes no responsibility for the interface of its product with any other product, and such responsibility shall remain with Buyer for interface, functionality, and intended use.

Notice: The foregoing warranty is in lieu of and excludes all other expressed or implied warranties of merchantability or fitness for use or otherwise.

EuControls Corporation

19210 S. Vermont Ave, Bldg C, Ste 310
Gardena, CA 90248
United States

Toll-free sales hotline: +1 (888) 535-9580; Tel: +1 (310) 643-5700; Fax: +1 (310) 643-5688