

DU3-11500-RF

RF LED Dimming Controller

Product Features

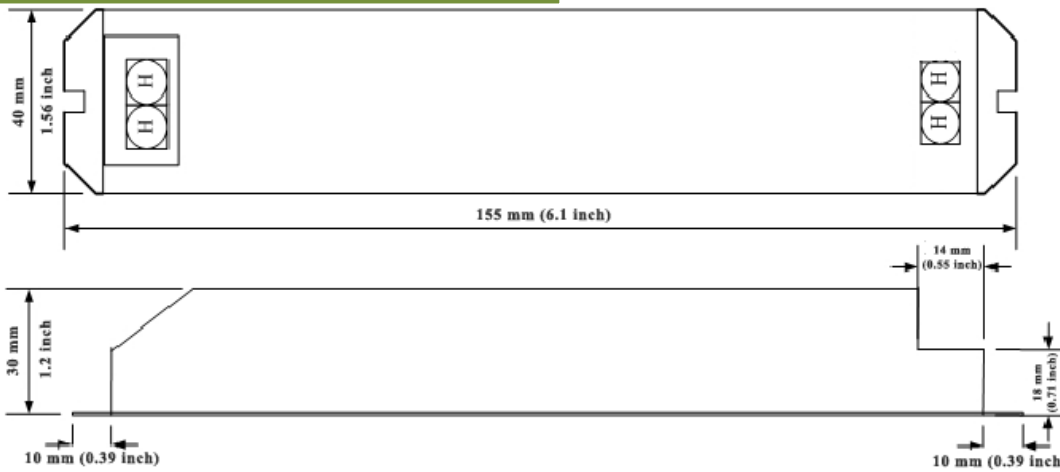
- 0 to 100% Brightness adjustment, 256-level grayscale.
- ON/OFF Function with a RF remote control.
- Single Channel, Max 15A per channel.
- 8 Level speed adjustments from 0.25 to 25 Hz.
- Built-in 0%, 25%, 50%, 75%, 100% brightness modes.
- Built-in jumping change and fading change modes.

Product Specifications

- Input Voltage 12/24VDC
- Output Current 15A (Max) /channel
- Output Power 12V: 180W; 24V: 360W
- Channel 1
- Operating Temperature 0 - 50°C
- Dimensions (L)155 x (W)40 x (H)30 (mm); (L)6.1 x (W)1.57x (H)1.18 (inch)
- Weight 78g



Dimensions



Mode Change Codes

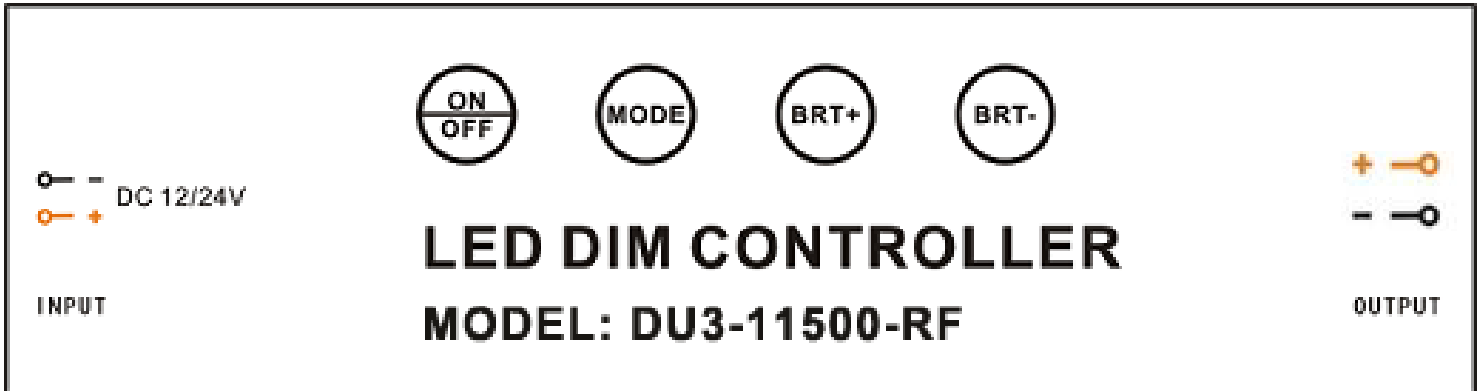
M1	0%	M5	100%
M2	25%	M6	Jumping Change
M3	50%	M7	Fading Change
M4	75%		

DU3-11500-RF

RF LED Dimming Controller

DU3-11500-RF
 RF LED Dimming
 Controller

Operation Instructions



【ON/OFF】 : Turn On/Turn OFF.

【Mode】 : Change modes.

In **MODE M1– M5:**

【BRT+】 : Increases LED brightness level (Press and hold this button will make brightness level keep increasing).

【BRT-】 : Decreases LED brightness level (Press and hold this button will make brightness level keep decreasing).

In **MODE M6 or M7:**

【BRT+】 : Increases speed level.

【BRT-】 : Decreases speed level.

Remote Control

Key Descriptions

【A】 = 【Mode】 : Turn ON/OFF.

【B】 = 【Pause】 : Change mode.

【C】 = 【SPD+】 : Increases speed level (Default is fastest level).

【D】 = 【SPD-】 : Decreases speed level.



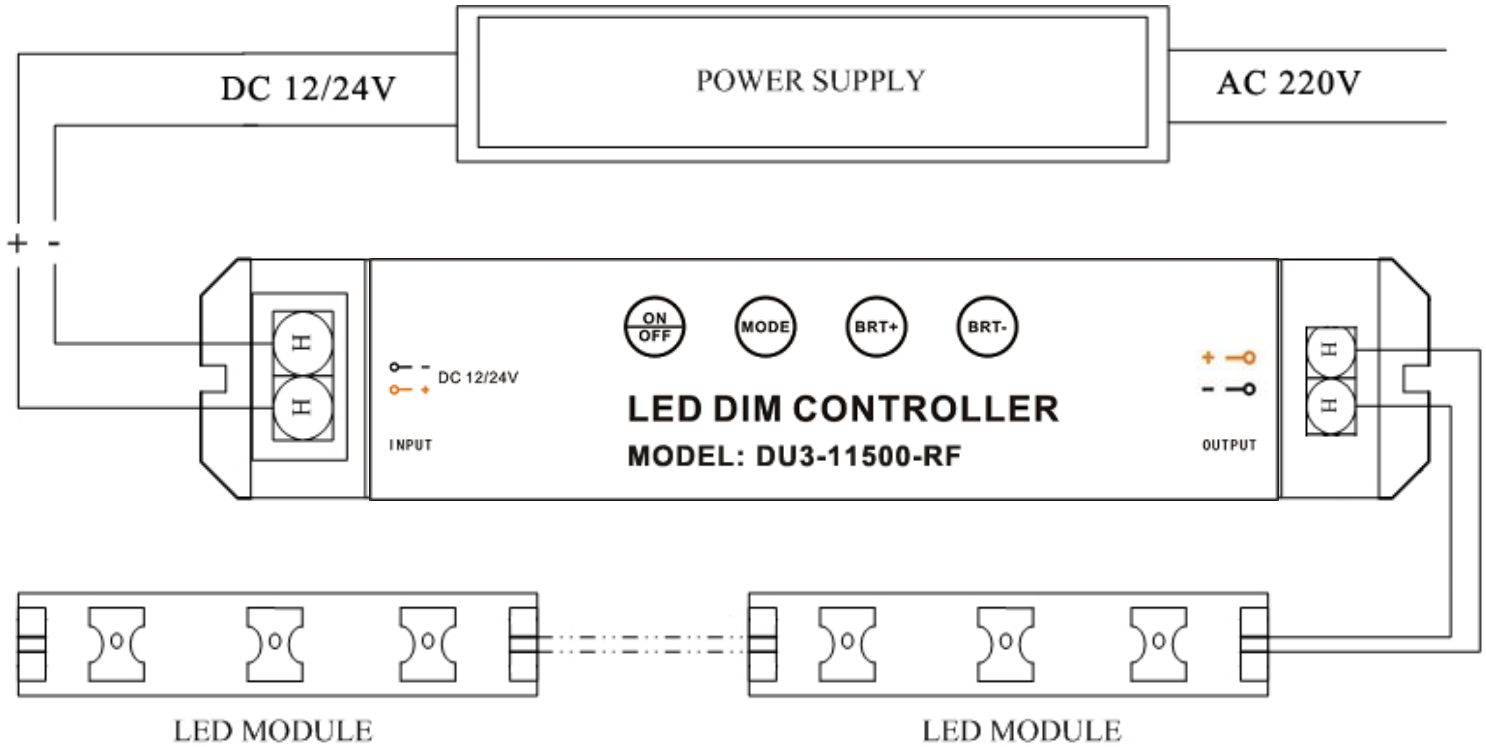
DU3-11500-RF

Manual Dimmer

RF LED Dimming
Controller

DU3-11500-RF

Connection Instructions



Notes

- Controls various single-color modules and RGB full-color modules with common anode connections.

Installation Instructions

- (1) The input voltage should be limited to rated range.
- (2) Do not overload.
- (3) Need to install in dry environment.
- (4) If load wires are too long, they can be connected by ring connection method shown below.