

DU3-10700-IR

Manual Dimmer

Product Features

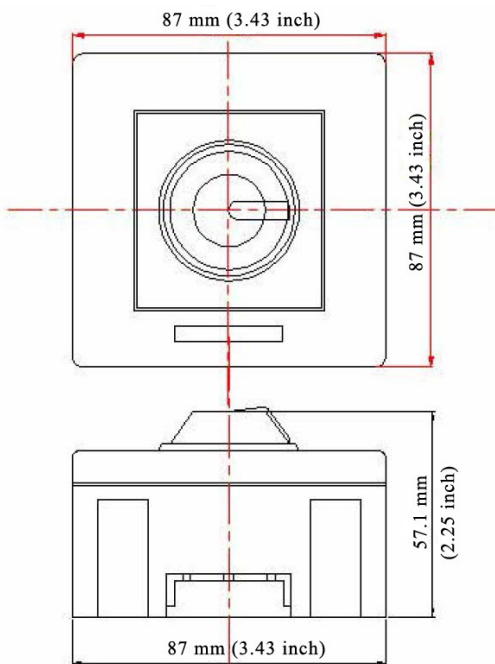
- Single channel, constant voltage output max 7A/Channel.
- Adjustment knob allows for smooth brightness adjustments throughout the dimming curve.
- One to four hour timer function.
- Uses a wireless IR Remote Control.
- Easy installation and wiring.

Product Specifications

- Input Voltage 12-24VDC
- Output Power 12V: 84W; 24V: 168W
- Output Current 7A MAX/Channel
- Operating Temperature 0 - 50°C
- Dimensions (L)87 x (W)87 x (H)57 (mm)
3.43 x 3.43 x 2.25 (inch)
- Weight 300g



Dimensions



DU3-10700-IR

Manual Dimmer

Manual Dimmer

DU3-10700-IR

Operation Instructions

- **By Knob:**

【Brightness+】 : Turn the knob clockwise to increase brightness.

【Brightness-】 : Turn the knob counterclockwise to decrease brightness.

- **By Remote Control:**

- **※ 52-Level Brightness:**

【+】 Increases LED brightness level (Press and hold this button will make the brightness increase).

【-】 decreases LED brightness level (Press and hold this button will make the brightness decrease).

HOTKEY: Shortcut brightness control.

【25%】 25% brightness output

【50%】 50% brightness output

【75%】 75% brightness output

【100%】 100% brightness output

TIME: Timing function.

【1H】 1-hour timing output

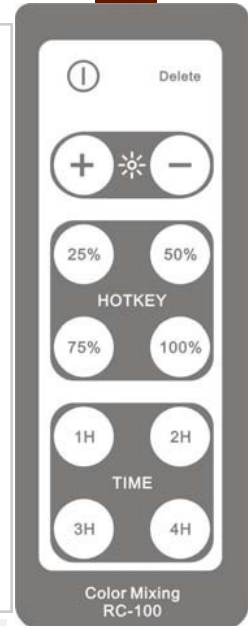
【3H】 3-hour timing output

【2H】 2-hour timing output

【4H】 4-hour timing output

ⓘ **OFF**

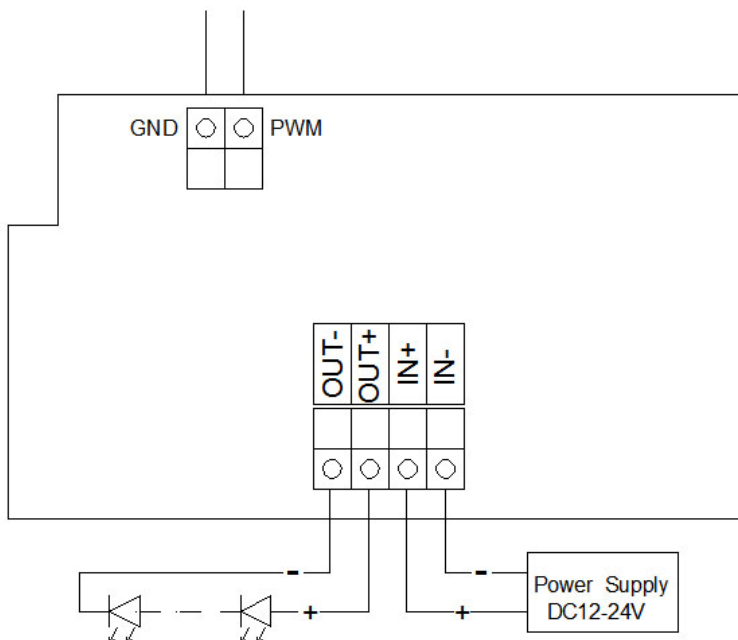
Delete: Cancel timing function.



ⓘ Notes

- If a button works properly, then a buzzer will be heard when it is pressed.
- Tear the sticker on the buzzer away.

Connection Instructions



ⓘ Notes

- Single channel output, the voltage of the light must be equal to the power supply of the controller.
- Please use a rated power supply in order to ensure there is enough power to drive the controller and lights.
- Please install the controller under dry conditions.