

DMX102

DMX Splitter

Product Features

- 1-Channel DMX512 input.
- 2-channel isolation DMX512 output.
- The electrical isolation voltage between the input interface and each output interface is greater than 3000V.
- Uses high-voltage isolation technology to amplify DMX512 digital signal with 2-channel output to prevent control system damage.
- ETL certified to be compliant to widely accepted product safety standards.

Product Specifications

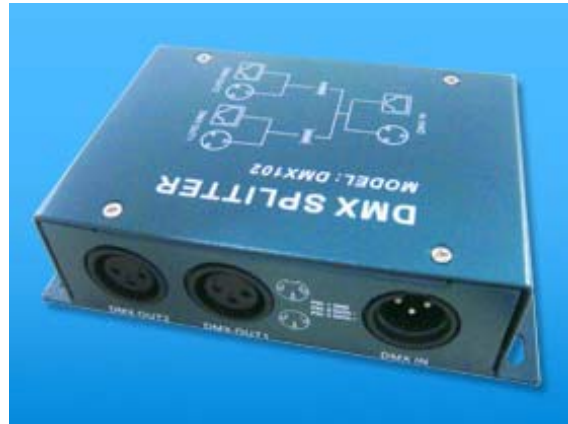
- | | |
|---------------------------------|--|
| • Input Voltage | 12V-24VAC/DC |
| • Input Channel | 1 |
| • Output Channel | 1 channel for direct signal ; 2-channel for isolated output. |
| • Transmission Interface | DMX512 (1990) |
| • Interface Type | RS-485 |
| • Input Port | XLR-3-M |
| • Output Port | XLR-3-F, RJ45 |
| • Electrical Isolated Withstand | > 1,000 V |
| • Operating Temperature | 0 - 50°C |
| • Dimensions | (L)151 x (W)90 x (H)40 (mm)
5.94 x 3.54 x 1.57 (inch) |
| • Weight | 500g |



FRONT



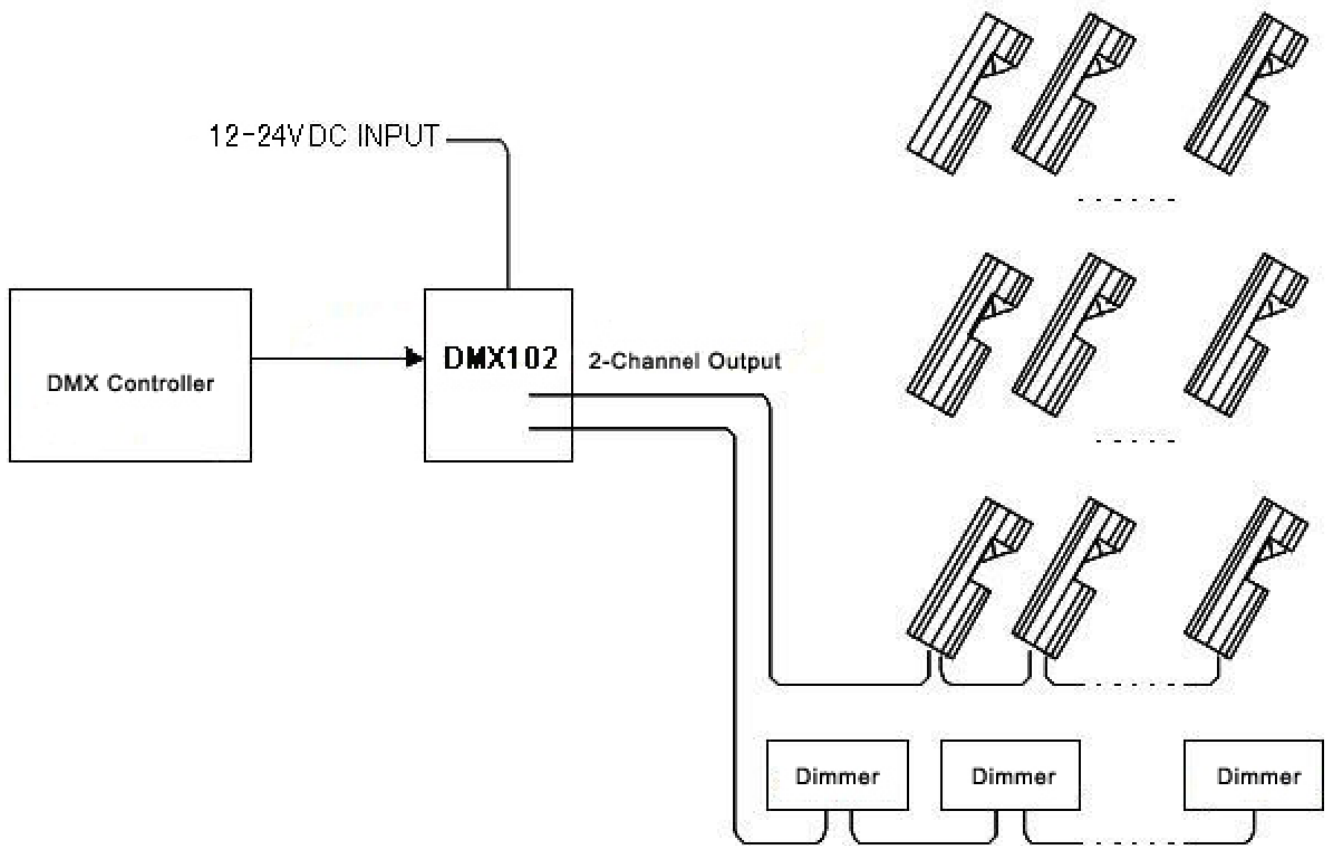
BACK



DMX102

DMX Splitter

Installation Instructions



⚠ Installation Notes :

- Please make connections according to above diagram. The output signal of DMX102 is isolated from the input signal.
- **Please do not connect the ground wire which isolates outputs to the ground wire of output signal.**
- When a DMX amplifier connects to DMX102, please set the "DMX TERM" switch to "ON".
- During the DMX signal transmission, when the DMX102 is connected to a load, please add one more DMX102 every 40-50 meters.