



**PRODUCT INFORMATION AND SPECS:**

**Product Application:**

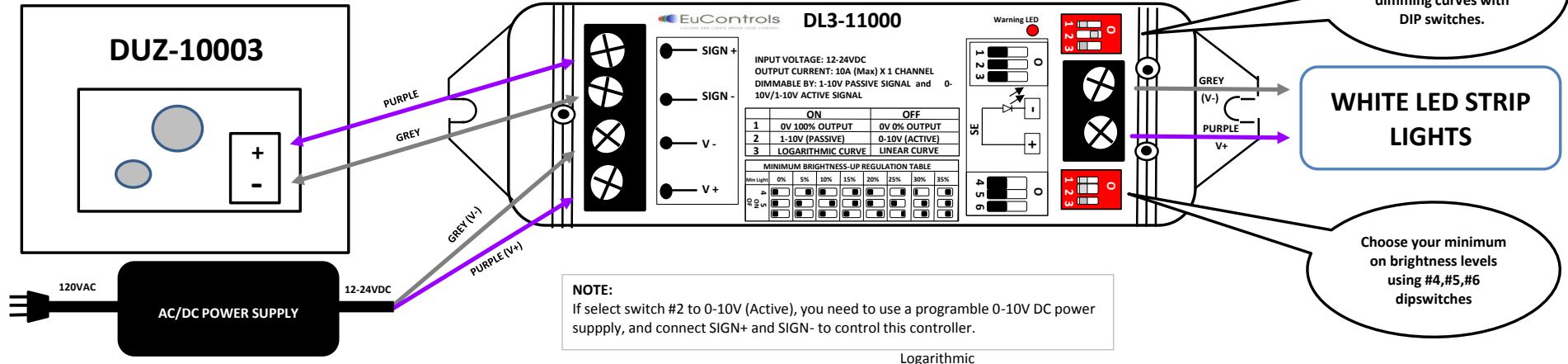
The **DL3-11000 dim controller** is used in conjunction with a manual dimmer and power supply to control single (1) channel LED lights and lighting strips. We recommend the Eucontrols DUZ-10003 for full range dimming. See example "A". Some non-Eucontrol wall dimmers can be used but there is function loss, in most cases. Example "B" uses a Lutron Diva (0-10V) wall dimmer as an example. Non Eucontrols dimmers will have some degree of incompatibility.



**Product Specification:**

<b>Voltage input range (DC):</b> 12-24VDC	<b>Over current protection:</b> Yes	<b>Dimming signal type supported:</b> 0-10V active signal 1-10V passive signal
<b>Number of channels:</b> Maximum 1 channel <b>output per channel:</b> 10A	<b>Short circuit protection:</b> Yes	<b>Function settings:</b> Dipswitch #1,#2, #3 <b>Brightness settings:</b> Dipswitch #4,#5, #6
<b>Maximum power:</b> ≤ 240W @ 24VDC ≤ 120W @ 12VDC	<b>Dimming curves supported:</b> Linear + Logarithmic	<b>Dimensions:</b> (L) 6.89" x (W) 2.2" x (H)1.1"

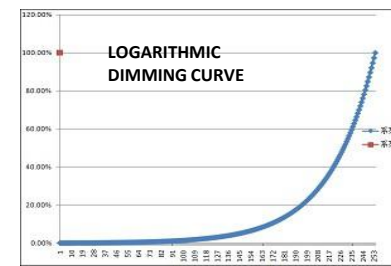
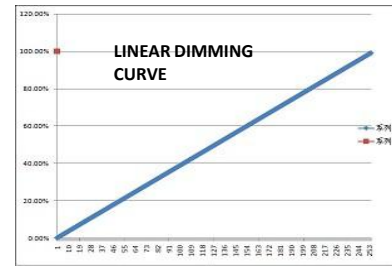
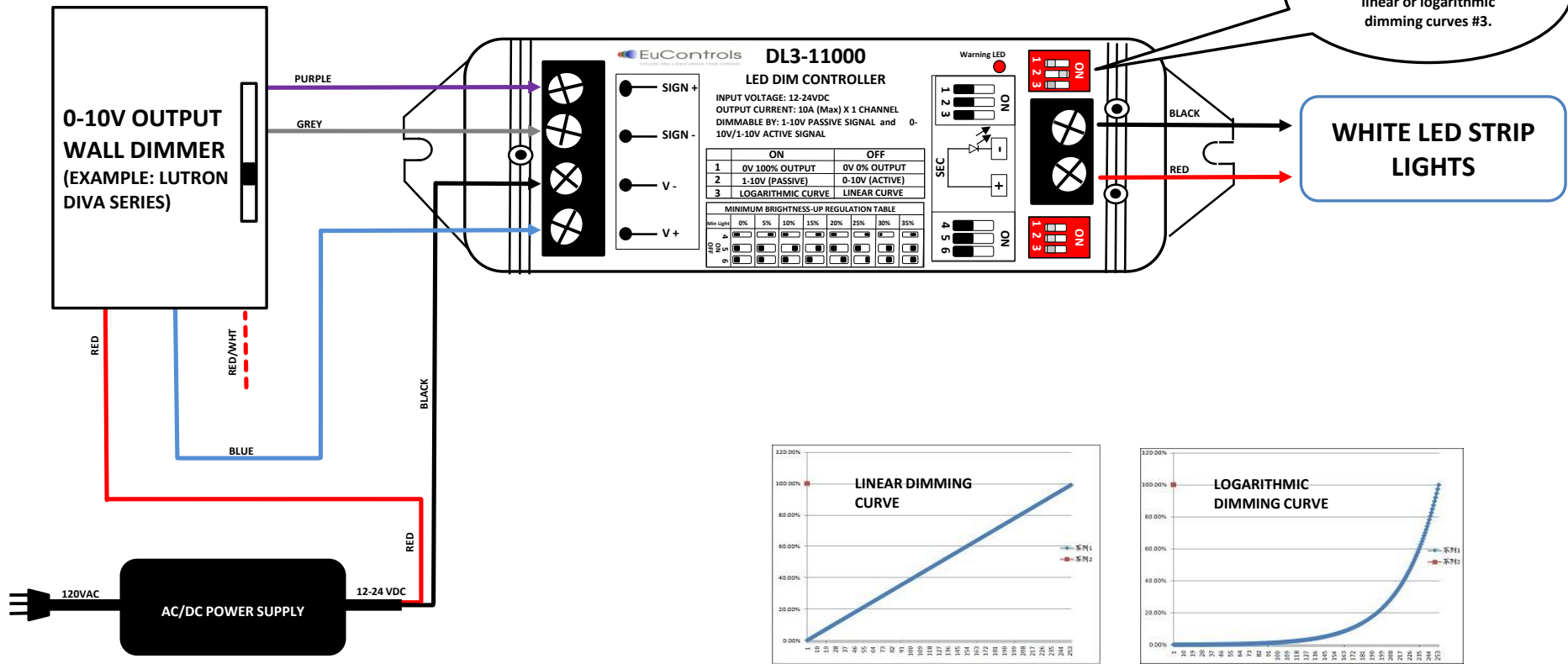
**EXAMPLE "A"**



SIGNAL CONTROL TABLE										BRIGHTNESS CONTROL TABLE								
										Dimming Curve								Minimum Brightness Value
ON	OFF	ON	OFF	ON	OFF	0-10V Passive	0-10V Active	0V Output	Dangling Output	Linear	Logarithmic	ON	OFF	ON	OFF	ON	OFF	
	X		X		X		X		X	X		X	X		X		X	0%
X		X		X		X		X	X		X	X		X		X		5%
X	X	X	X	X	X	X		X	X	X		X		X		X		10%
X		X		X		X		X	X		X		X		X		X	15%
X		X	X	X	X	X		X	X		X	X		X	X		X	20%
X		X	X	X	X	X		X	X		X	X		X	X		X	25%
X	X	X	X	X	X	X		X	X		X	X		X	X		X	30%
X	X	X	X	X	X	X		X	X		X	X		X	X		X	35%



**EXAMPLE "B"**



**EuControls Standard Product Warranty**

**PRODUCT WARRANTY:** EuControls warrants that at the time of shipment, the standard products manufactured by EuControls, and sold hereunder, will be free from defects in material and workmanship for a period of three years from the date of shipment.

**Warranty Adjustment:** Buyer shall notify EuControls immediately if any defect within the warranty period should appear. EuControls agrees to repair or furnish a replacement for, but not install, any product which within three (3) years from the date of shipment by EuControls, shall upon examination by EuControls, prove defective within the above warranty period. No product will be accepted for return or replacement without written authorization of EuControls. Upon such authorization, and in accordance with instructions by EuControls, the product will be returned shipping charge prepaid by Buyer. Replacements made under this warranty will be shipped prepaid by Seller.

**Exclusions from Warranty:** This warranty does not extend to any products manufactured by EuControls which has been subjected to misuse, neglect, accident, improper installation or use in violation of instructions furnished by EuControls. This warranty does not extend to, or apply to, any unit which has been repaired or altered other than at EuControls' factory, or by persons not expressly approved by EuControls. Components purchased or made by Buyer from any supplier other than EuControls shall bear only the warranty given by the manufacturer of that product, and EuControls assumes no responsibility for the interface of its product with any other product, and such responsibility shall remain with Buyer for interface, functionality, and intended use.

**Notice:** The foregoing warranty is in lieu of and excludes all other expressed or implied warranties of merchantability or fitness for use or otherwise.

**EuControls Corporation**

19210 S. Vermont Ave, Bldg C, Ste 310  
Gardena, CA 90248  
United States  
Toll-free sales hotline: +1 (888) 535-9580  
Tel: +1 (310) 643-5700  
Fax: +1 (310) 643-5688