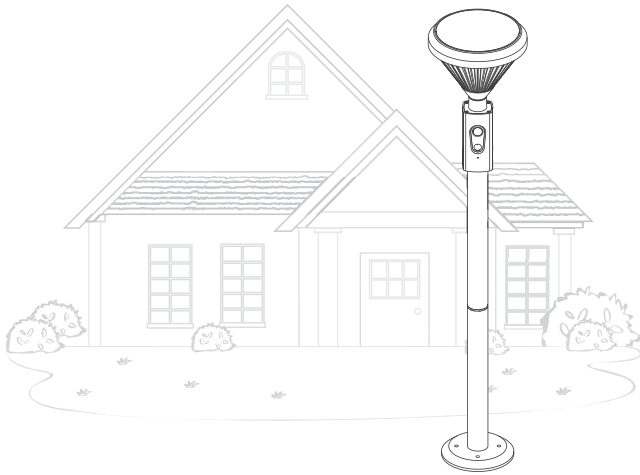




C381U Wireless Solar Powered Garden Light Camera

User Manual V1.0

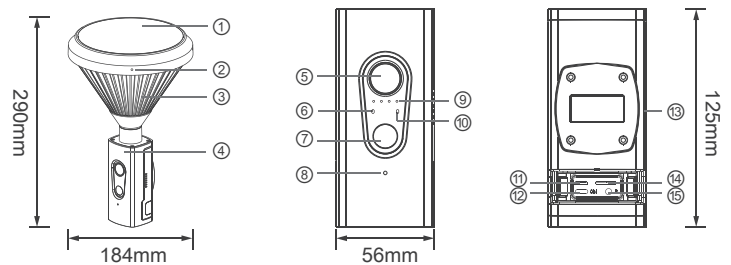


Shenzhen Leshi Video Technology Co., Ltd.
www.freecamglobal.com

The C381U is an intelligent solar powered garden light camera.

- Perfect for garden and pathways – The solar-powered garden light camera combines garden lights and rechargeable security cameras, full wireless design is the best choice for outdoor home security;
- Powered by the sun– place your Freecam Smart garden Light Camera in direct sunlight to recharge and store power , It can work continuously;
- Monitor your home security – a real-time notification will push to the connected smart phone when motion is detected;Equipped with 2-way audio and support view live video to stay in-the-know when anything happens at home;
- Built-in 16GB TF Card – When motion is detected, the built-in TF card will automatically store the video, which is safer than cloud storage and there is no subscription fee.

1 Exterior diagram



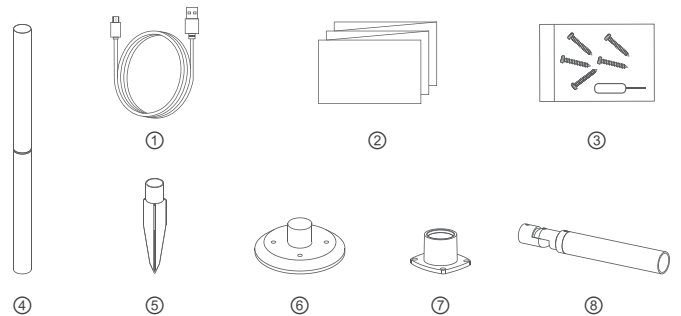
①	Solar panel	⑨	Infrared LEDs
②	LED Switch Hole	⑩	Charging Indicator①
③	LED Light	⑪	USB charge socket
④	Battery camera	⑫	Power switch
⑤	Lens	⑬	Speaker
⑥	Status Indicator②	⑭	TF card slot
⑦	PIR sensor	⑮	Reset button
⑧	Microphone		

2 Camera Indicator Light Status

Camera LED	Indicator light status	Status	
① Indicator		Purple Power indicator on	Charging
		Purple Power indicator on and goes out	Charge complete
② Indicator		Indicator blue light blinks	Waiting for connecting
		Indicator Red Light Blinking Slowly	Connecting to WiFi
		Indicator Red Light Blinking fastly	Connect to the server
		Indicator off	Normal working or power off

* If it red blinks over 2 minute and still can't connect success, please reset device and check the router's WiFi signal.

3 Accessories



①	USB charging cabledx1	⑤	Metal Plugx1
②	Manual x2	⑥	Basex1
③	Screw set x1	⑦	Mounting Platex1
④	Lamp Pole(30cm)x2	⑧	Wall Mount Bracketx1

4 Installation Illustration

The C381 can be mounted on ground or on a wall.
1 Before installing the camera, please connect the USB cable to the camera and a DC5V/1A mobil phone adaptor, then charge the camera until the charging indicator light goes off, For the first time please charge the camera over 6 hours.
2 Install the camera in the place with a strong WiFi signal.

✗	✗	✓	✓

2.1 Turn on the power button, blue light will be blinking, if it is not at this condition please press and hold the reset button for 3-5 seconds.

2.2 Following about APP configuration please refer to the APP installation instruction

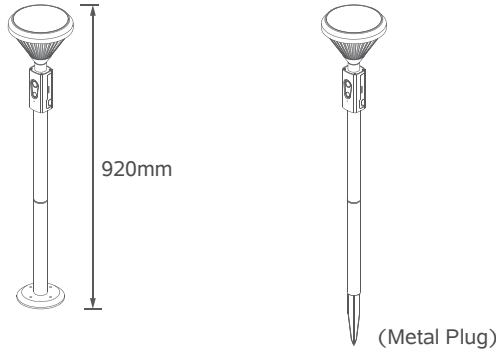
2.3 The WiFi indicator light is off when configuration succeed than go to normal working condition.

5 Lamps and Lanterns Mounting

Select an area with sufficient sunlight. Ideally, position the camera under direct sunlight. After mounting finish, use needle to insert into the LED switch hole to trigger switch.

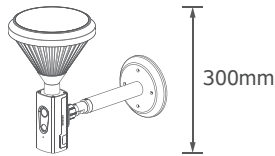
1 Ground Setup

- 1) Fix the mounting plate under camera body.
- 2) Prior to setup and selecting location of installation:



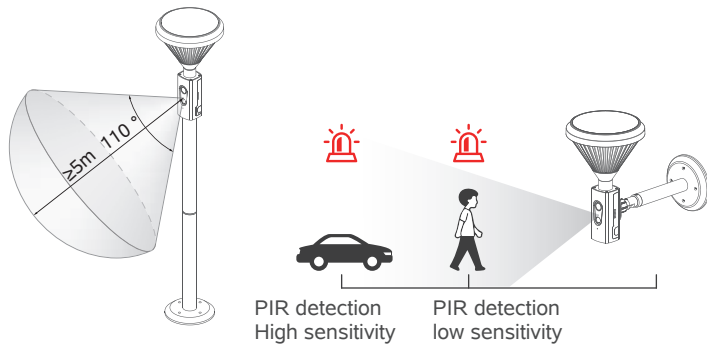
2 Wall Mount Setup

- 1) Use screws to fix mounting plate at the under of camera.
- 2) Fix the base and wall mount bracket, then screw up the bracket and mounting plate.



5 PIR Detection range

PIR sensor is a high-sensitivity detector which is used for infrared detection of object motion. However, motion detection can be triggered by the change of background lighting change, passing by vehicles or the blowing leaves.

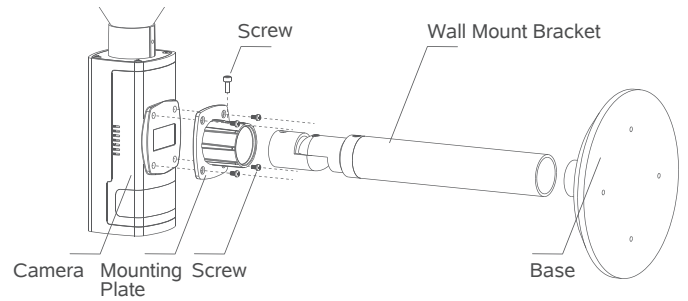


Notice

In order to avoid frequent false alarms and reduce battery power consumption, when selecting the installation location of the camera, make sure that there are no frequently moving objects in the PIR detection area; such as vehicles; leaves; pedestrians.

FCC ID:2AJPAC310 FCC Warning

This device complies with part 15 of the FCC Rules. Operation is subject to the following two conditions: (1) this device may not cause harmful interference, and (2) this device must accept any interference received, including interference that may cause undesired operation. Any changes or modifications to this unit not expressly approved by the party responsible for compliance could void the user's authority to operate the equipment.



6 Operation time of this camera is determined by amount of solar charging and the number of times the camera is triggered and awoken. Fig. 1 depicts the relationship between these factors. Refer to Fig. 1 to estimate the camera's continuous working time.

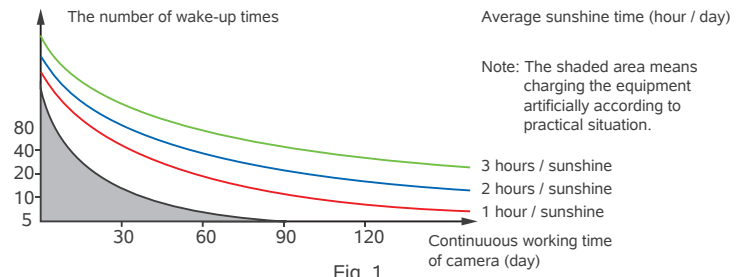
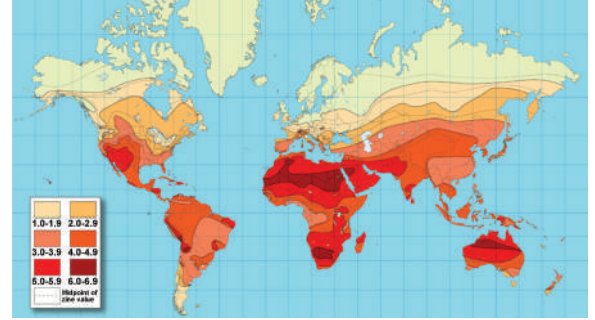


Fig. 1

6 Technical parameters

Solar Powered Garden Light

Material	Metallic
Lighting Duration	Battery 1000mAh; Lighting time(Night) approx 2 – 3 times than sunlight time(Day)
Solar panel	Maximum output current is 400mA@5.5V, Charging power to LED light battery and Camera battery

Solar Rechargeable Battery Camera

Lens	3.2mm /120 °
Video	HD1080P/H.264
Audio	Support two-way audio
WiFi	Support IEEE802.11b/g/n protocol(2.4GHz)
IR night vision	Support
PIR motion detection	Motion detect range ≈ 15 Feet (5 meters)
Cycle time	If there is no operation within 8 seconds after trigger is started, enter the sleep state
Network P2P Connection	Support
Battery power indicator	APP support
Expandable storage space	Maximum support 64GB Micro TF card
Standby Time	Battery2600mAh, No light condition up to 2 months based on 10 events per day. Can work continuously under sunlight condition.
Net weight	1400g
Waterproof level	IP 65

* Please follow the link: www.freecamglobal.com for more FAQ(Frequently Asked Questions) solutions

