



Date: Jan 2016

Supersedes all previous issues

Somerton Wall Hung Elongated Toilet Bowl for use with Invisi Series II, Inwall Tank and Bracket Options #604100W

2.8.19

Somerton Elongated Vitreous China Bowl for use as 1.28/0.8 gpf (4.8/3 lpf) Dual Flush High Efficiency Toilet (HET) when matched with optional Invisi II Tank for Inwall, Induct, Inceiling and Under Counter applications.



Somerton Wall Hung Elongated Toilet Bowl for use with Invisi Series II, Inwall Tank and Bracket Options #604100W

**1.28 / 0.8 gpf (4.8/3 lps)
Dual Flush HET
MaP Score 1000g**



Somerton Elongated Vitreous China Bowl for use as 1.28/0.8 gpf (4.8/3 lpf) Dual Flush High Efficiency Toilet (HET) when matched with optional Invisi II Tank for Inwall, Induct, Inceiling and Under Counter applications.

Somerton Elongated Wall Hung Bowl features compact modern design, smooth sides and fully concealed plumbing fittings with projection from wall of 21" (535mm). The 1.28/0.8 gpf (4.8/3 lpf) matched performance suite with Caroma Invisi II system provides the latest water saving technology in sanitaryware. Somerton Wall Hung Elongated Invisi II dual flush toilet suite (HET) is suitable for inwall, induct, ceiling and under counter applications. Multiple button options are available to suit domestic and commercial applications. Concealed tank and plumbing delivers space savings, easy cleaning and matched performance. **Important:** The Somerton Invisi II dual flush washdown toilet will comply with the Americans with Disabilities Act when installed to Easy Height, Standards for Accessible Design, Section 4.16 Water Closets. Further reference must be made to the relevant sections of Easy Height Standards For Accessible Design with current amendments to determine clear floor space, grab bar, and operation requirements.

Bowl: Somerton Wall Hung Elongated 1.28/0.8 gpf (4.8/3 lpf) dual flush box rim bowl
Outlet: P-trap only
Tank: Caroma concealed tank options available are: **Invisi Inwall/Induct/Ceiling** and **Under Counter tank**. Tank and bracket are NOT included with bowl.
Weight: Bowl 57 lbs (26 kg), tank/bracket 33 lbs (15 kg)
Fixing: **Bowl** - standard fixing kit is supplied with the toilet bowl.

Note: The bracket systems are suitable for installation only where non-compressible wall materials are used.
Tank - the tank and bracket for under counter or inwall Invisi II systems are preassembled and are supplied with the flush pipe and a waste pipe suitable for installation in a 3-1/2" (90mm) cavity wall without venting and 7" (180mm) with venting. Structural brick wall systems require the tank to be fixed to the wall.

Seat: This toilet requires a top fixing, elongated seat which is not included.

Colors: White.

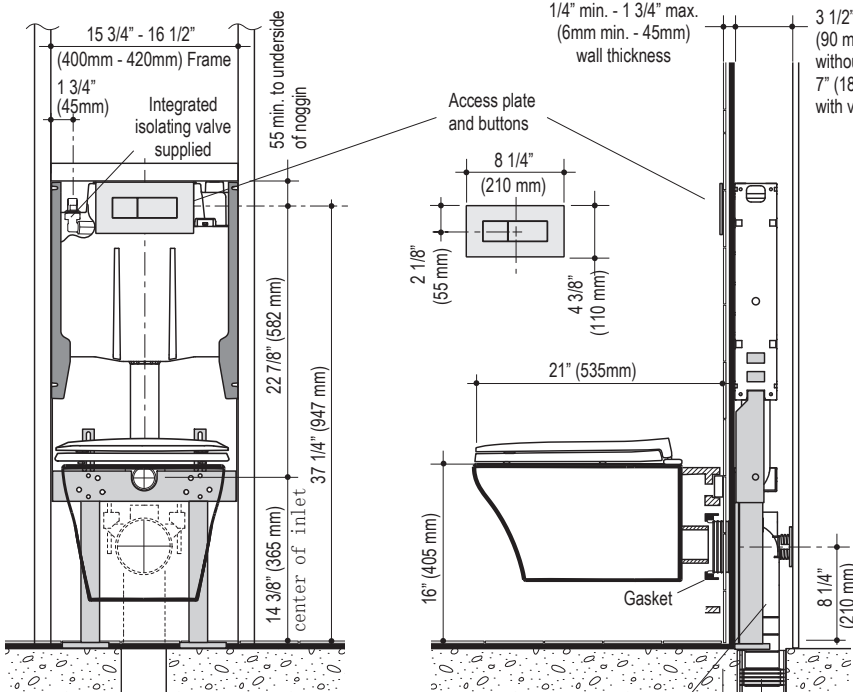
Dimensions: All dimensions are in inches and millimeters and are subject to normal manufacturing variations. Caroma pursues a policy of continuing improvement in design and performance of its products. The right is therefore reserved to vary specifications without notice.



| Somerton Wall Hung Elongated | Code No. |
|---|----------|
| Somerton Wall Hung Elongated Bowl | 604100W |
| Inwall/Induct/Inceiling tank includes bracket | 237061 |
| or Under Counter tank includes bracket | 237062 |

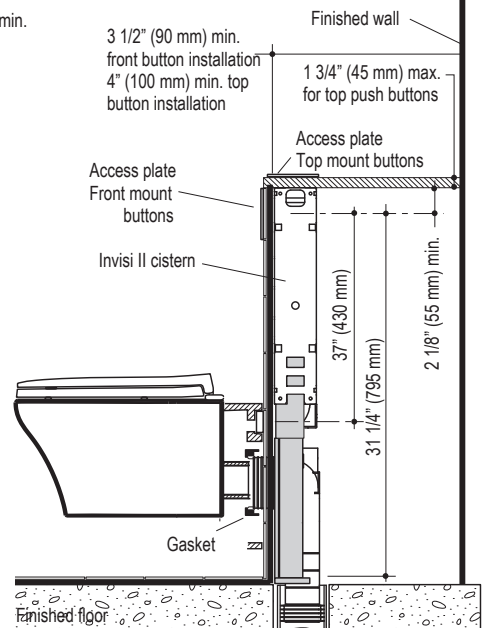
Refer to seat options above

Inwall Installation



For (4") 100 mm UPVC DWV connection use Caroma Invisi II wall hung waste connector 6 3/4" (170 mm) max. from finished wall with Invisi II WH pan connector

Under Counter Installation



Note: access to cistern internals can be achieved through either front or top mount button plate option.