

# STRUCTURE

(GB) Fitted basin unit

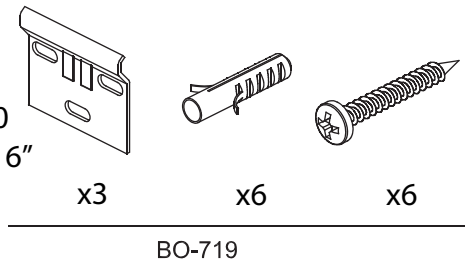
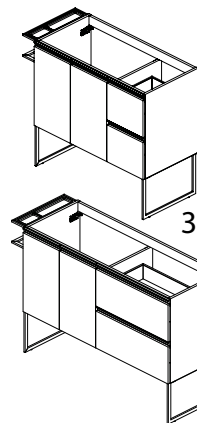
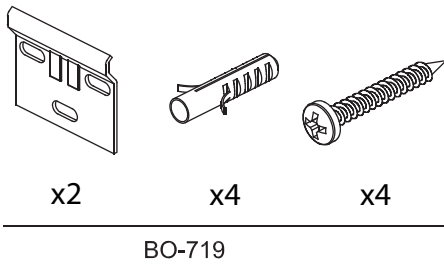
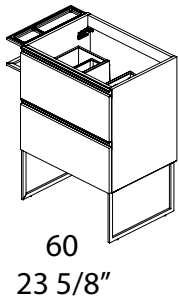
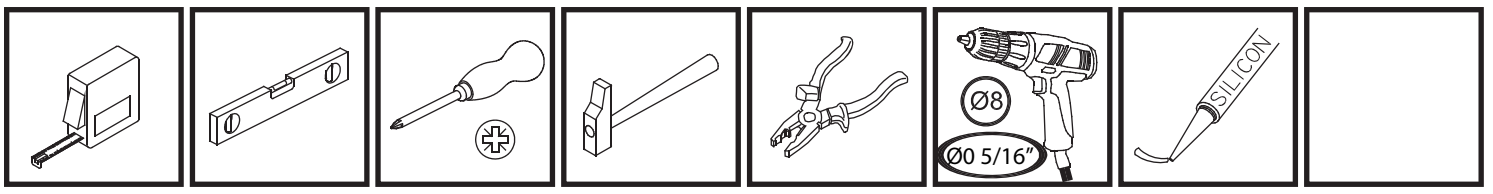
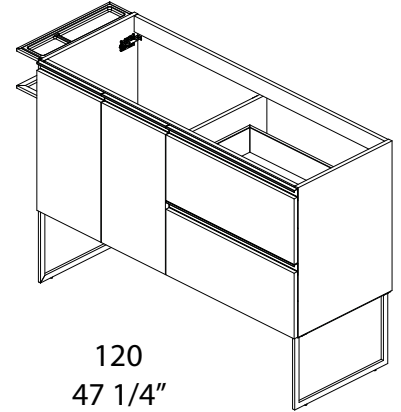
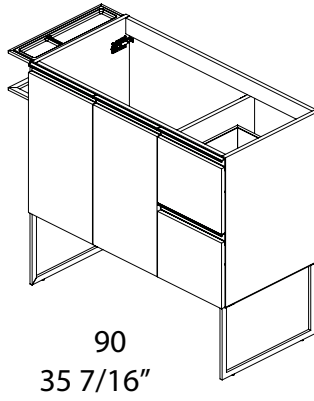
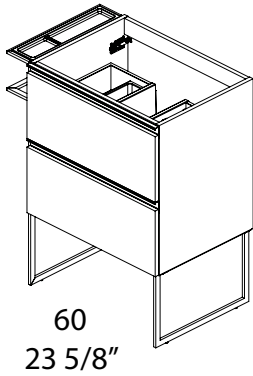
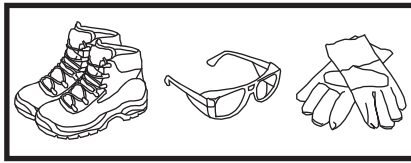
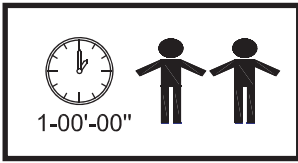
(D) Wascheckeneinbaumöbel

(E) Mueble de encastrar para pila

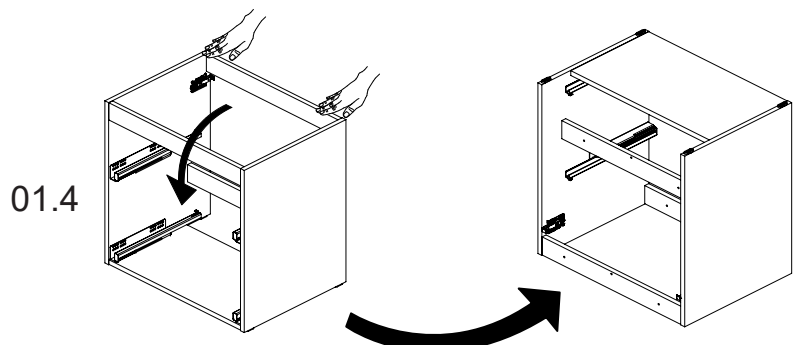
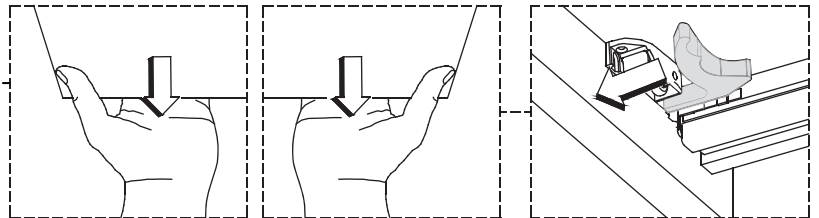
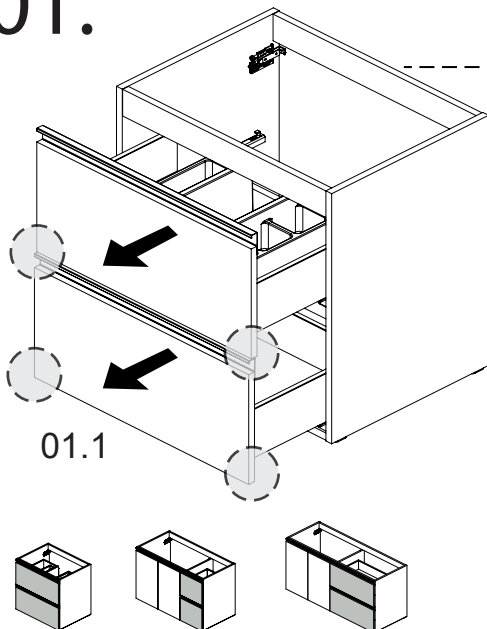
(P) Movel para pia embutida

(I) Mobile da incastro per vasca

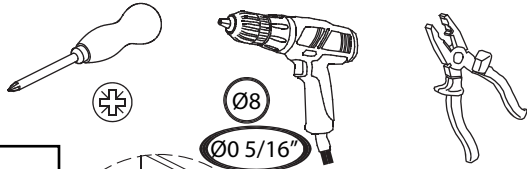
(NL) Inbouwkastje voor fonteintje



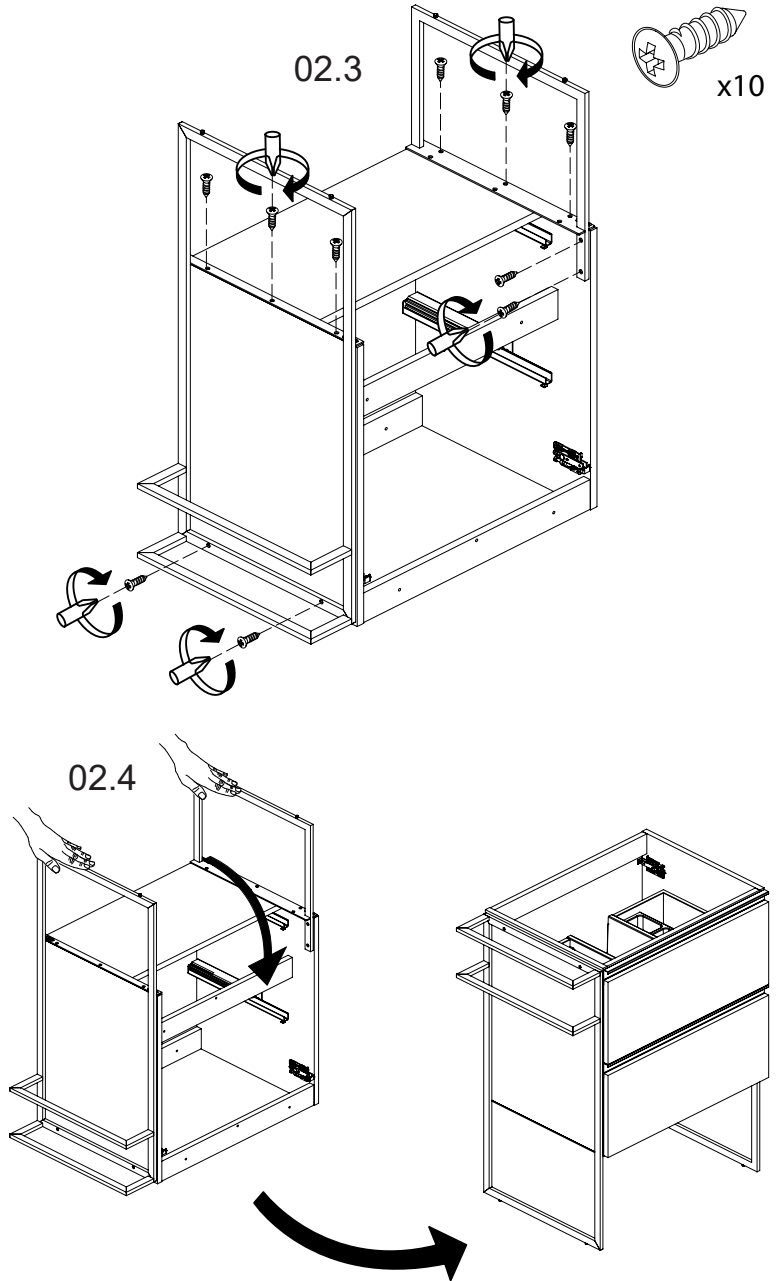
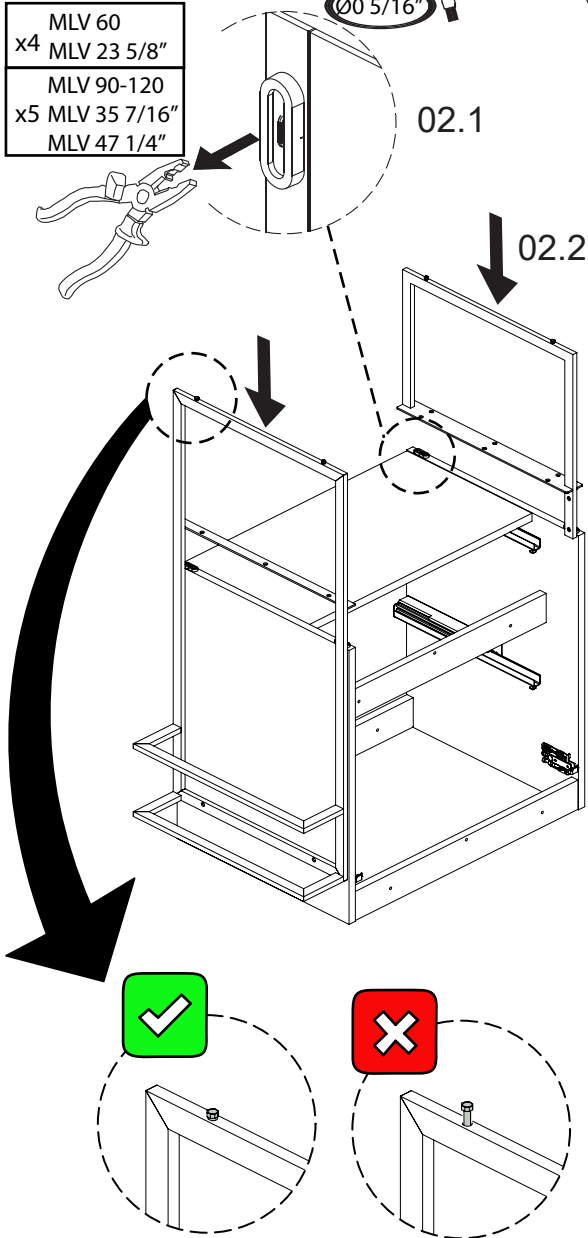
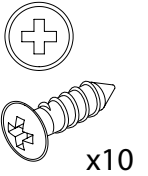
## 01.



# 02.



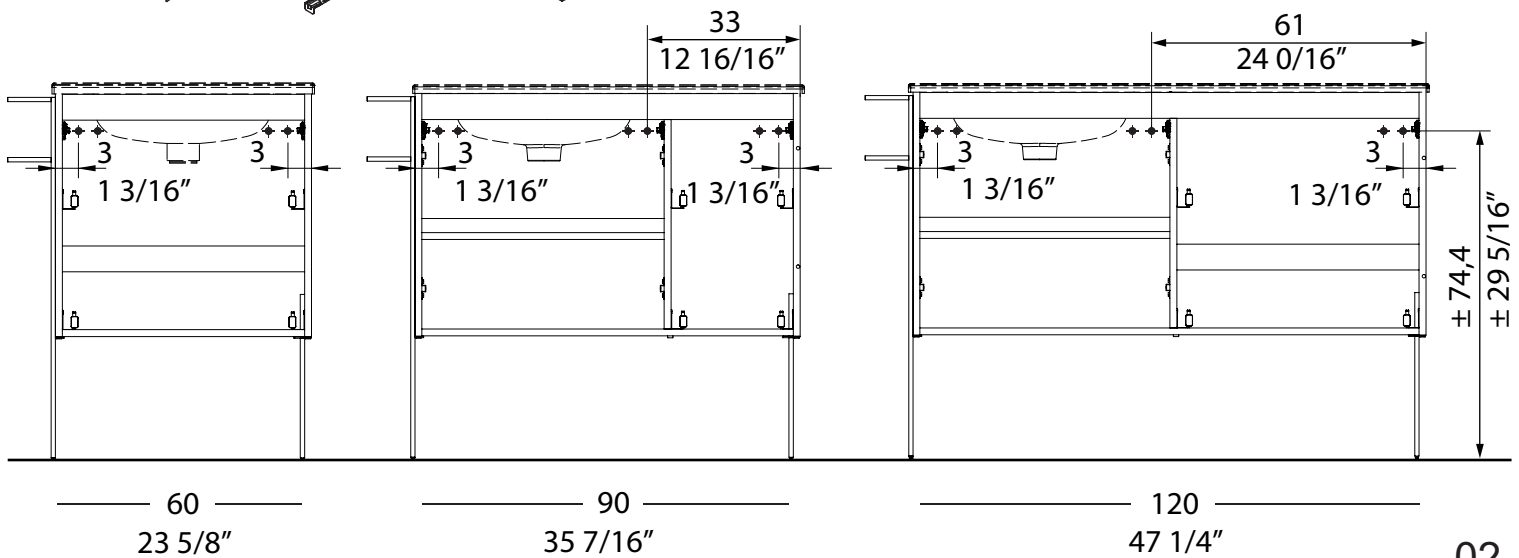
- MLV 60  
x4 MLV 23 5/8"
- MLV 90-120  
x5 MLV 35 7/16"  
MLV 47 1/4"



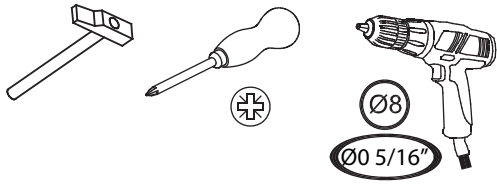
# 03.



cms.

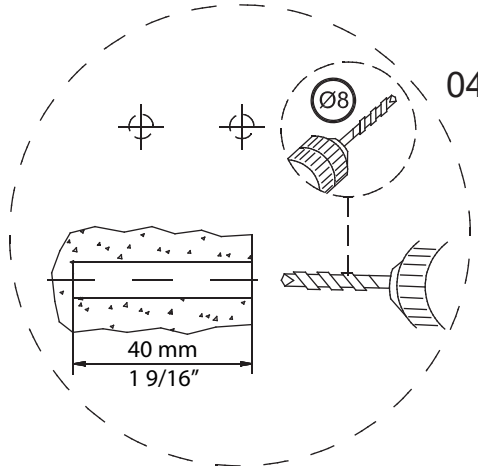


# 04.

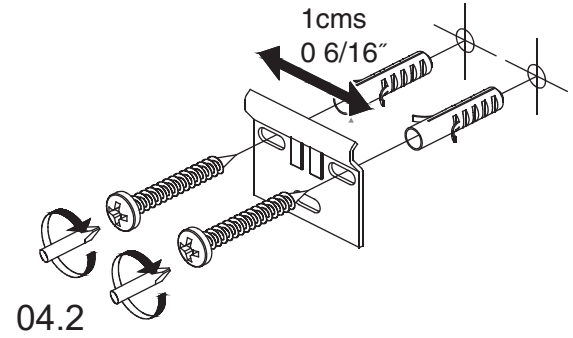


MLV 60 MLV 23 5/8"	x2	x4	x4
MLV 90-120 MLV 35 7/16"	x3	x6	x6

BO-719

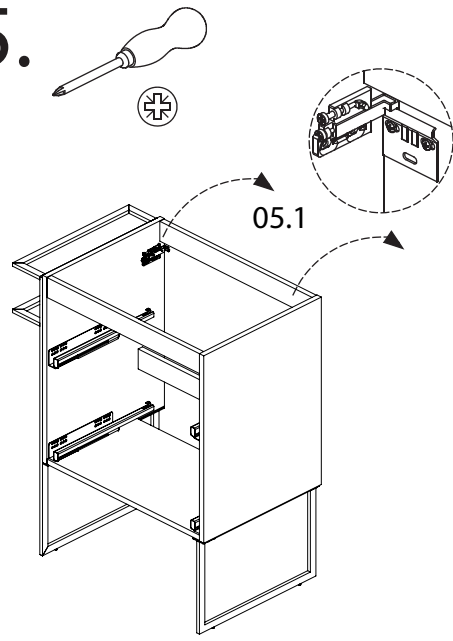


04.1

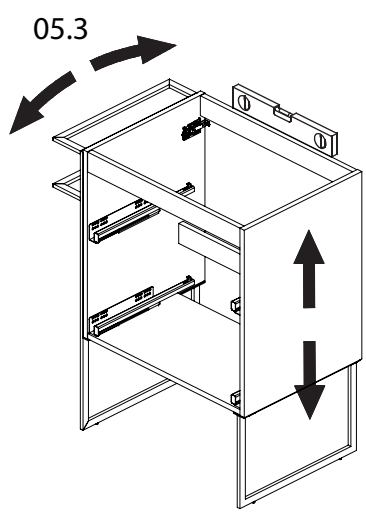


04.2

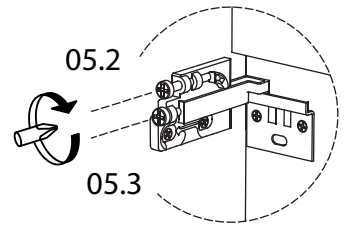
# 05.



05.1



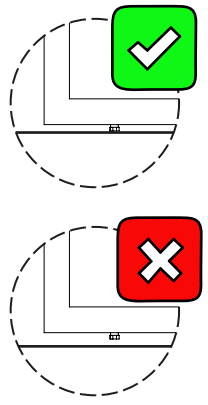
05.3



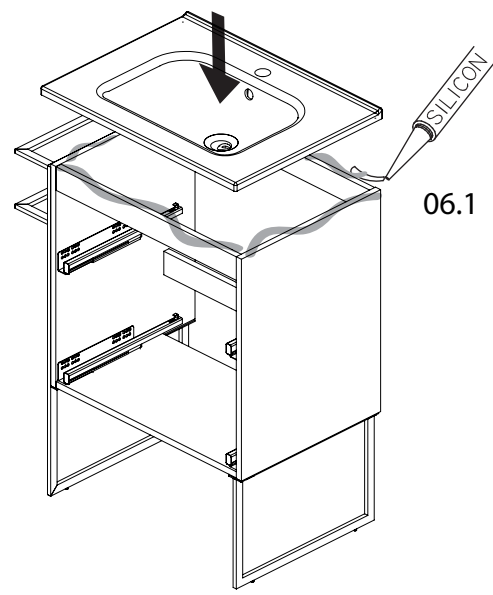
05.2

05.3

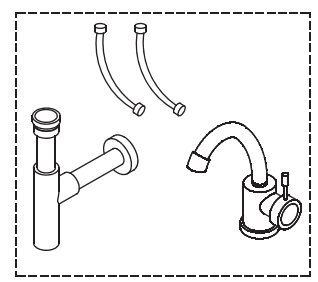
05.2  
±1cms  
±0 6/16"



# 06.

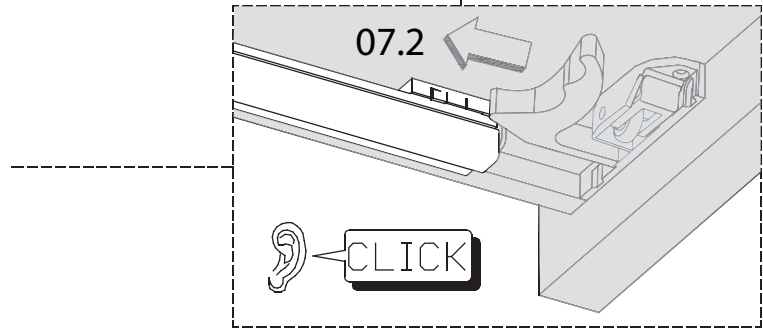
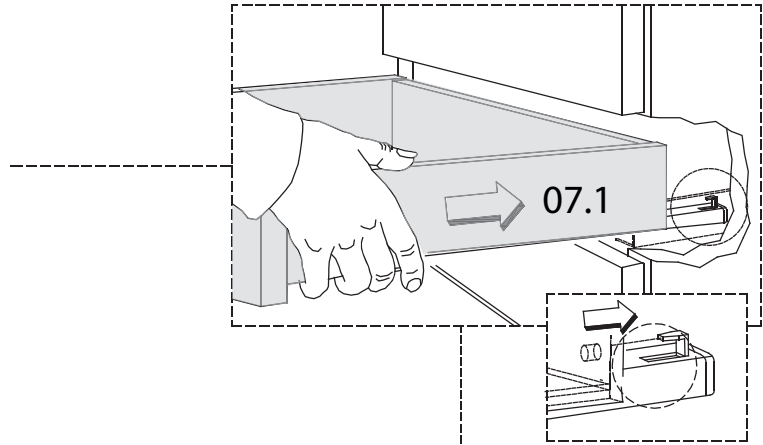
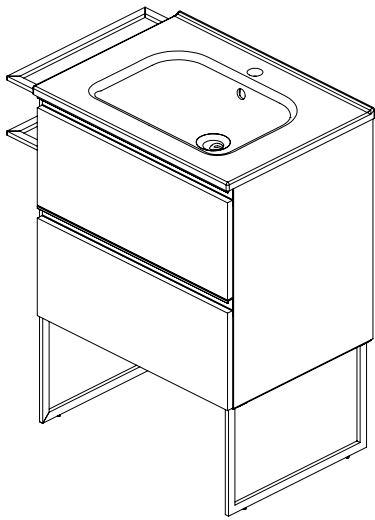
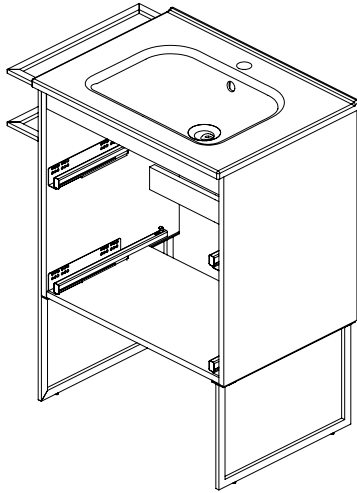


06.1

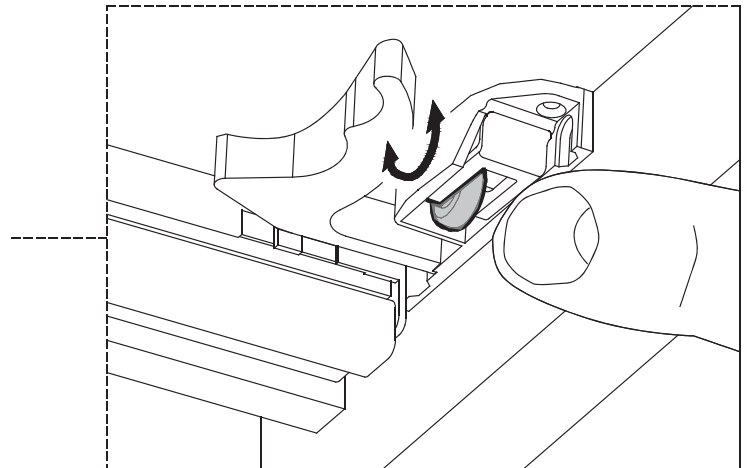
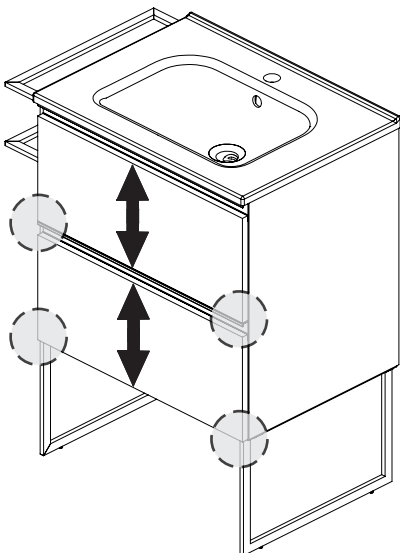


06.2

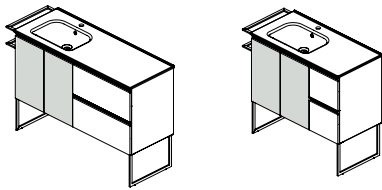
# 07.



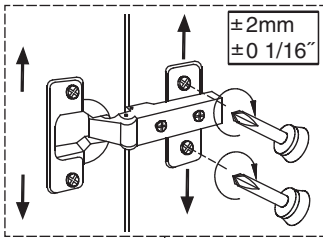
# 08.



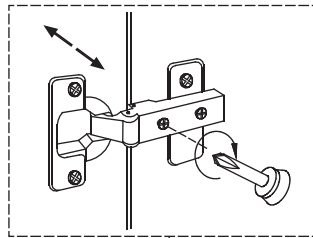
# 09.



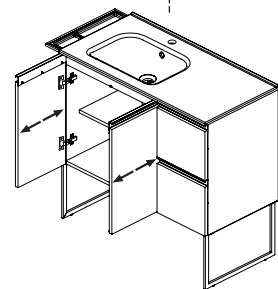
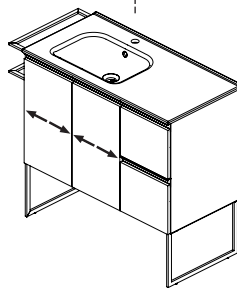
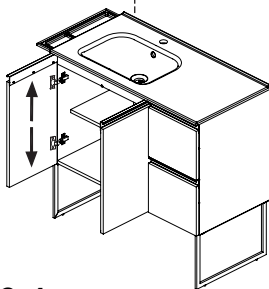
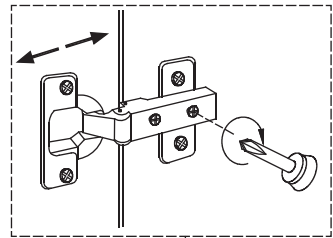
09.1



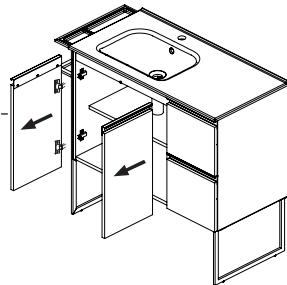
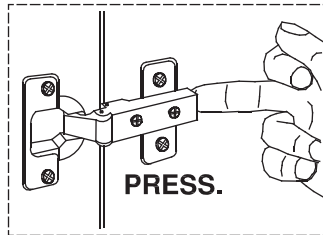
09.2



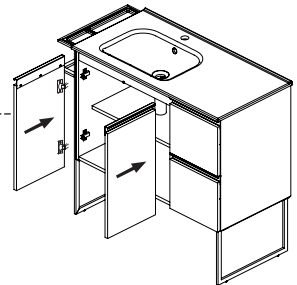
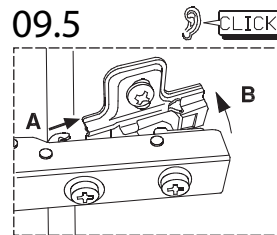
09.3



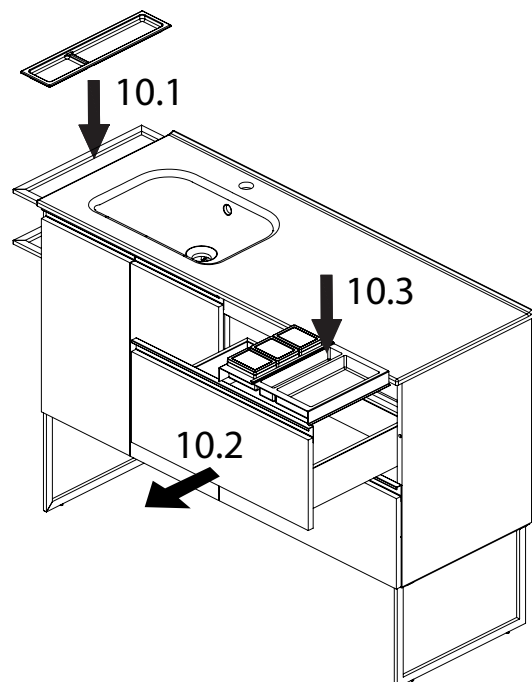
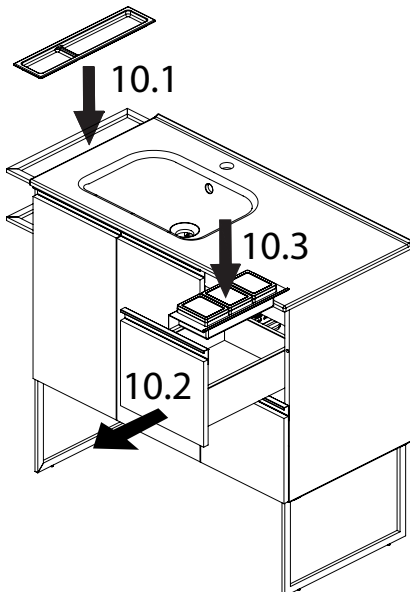
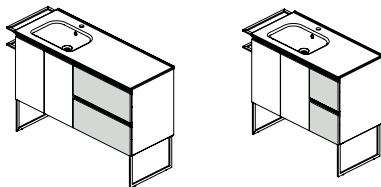
09.4



09.5



# 10.



# STRUCTURE

(GB) Fitted basin unit

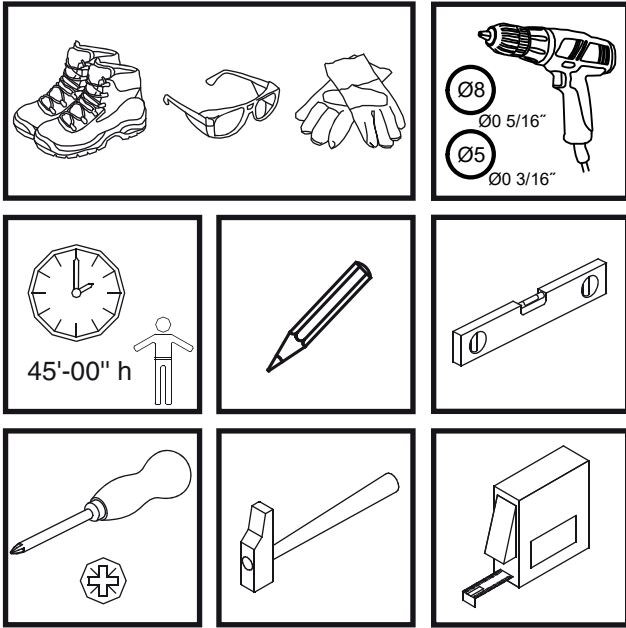
(D) Wascheckeneinbaumöbel

(E) Mueble de encastrar para pila

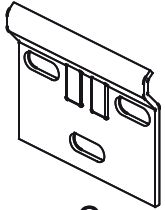
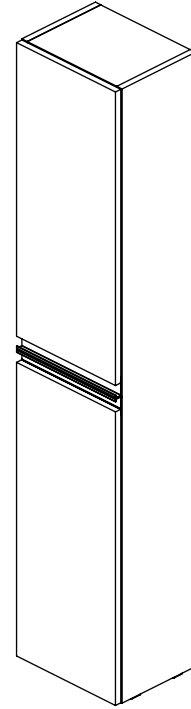
(P) Movel para pia embutida

(I) Mobile da incastro per vasca

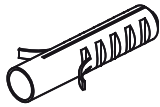
(NL) Inbouwkastje voor fonteintje



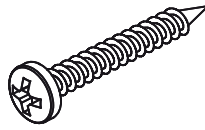
NON INCLUS / NOT INCLUDED



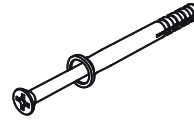
x2



x4



x4



x1



x1

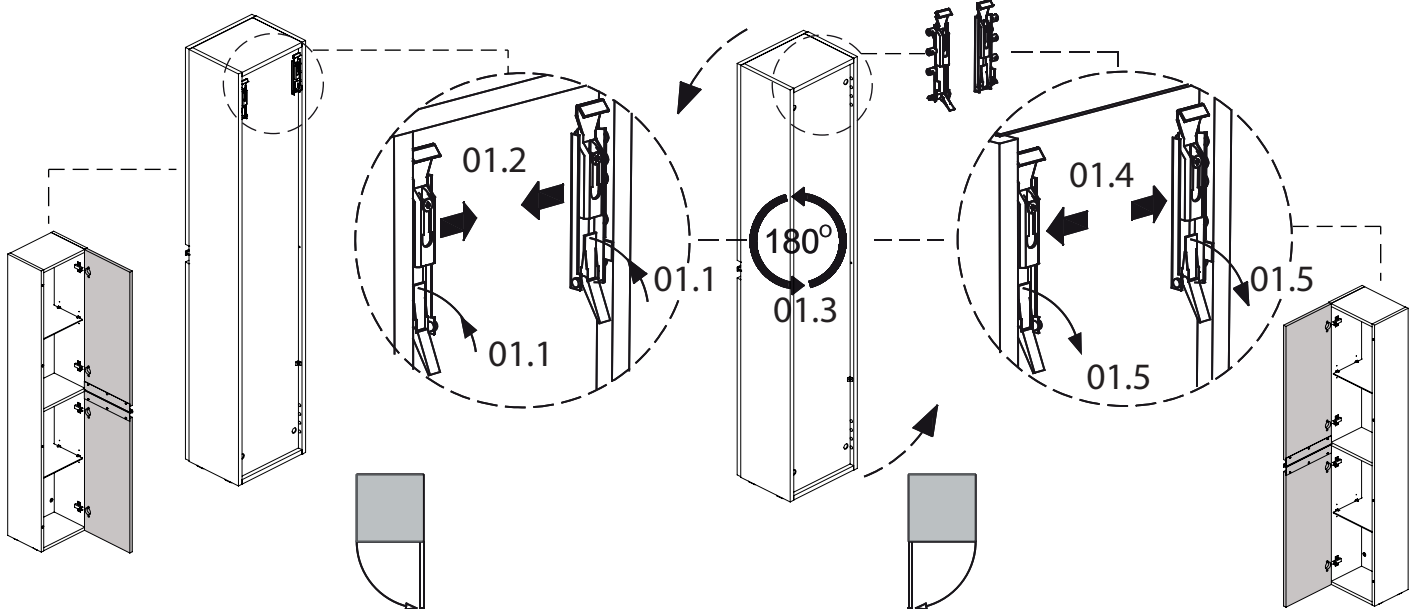


x4

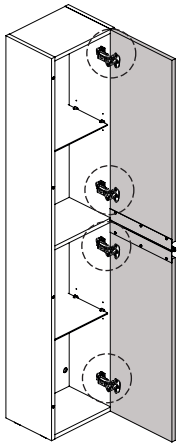
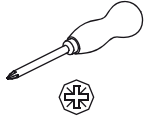
BO-719

BO-630

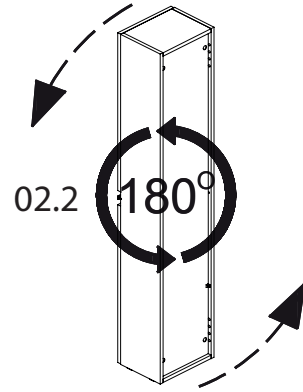
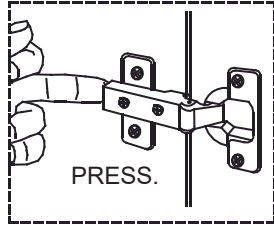
01.



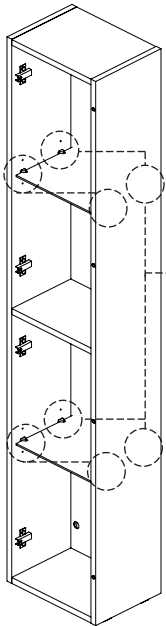
# 02.



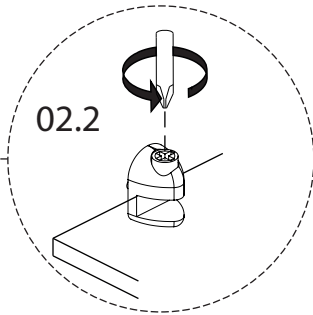
02.1



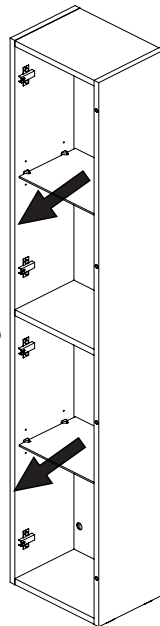
02.2



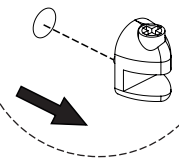
02.2



02.3

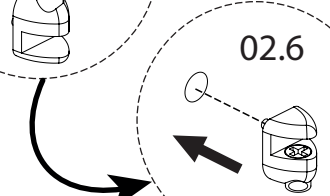


02.4



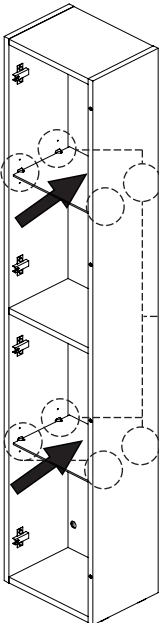
180°

02.5

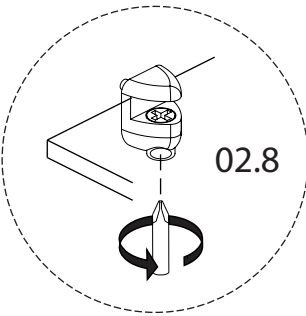


02.6

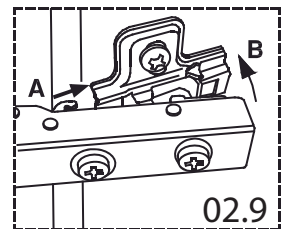
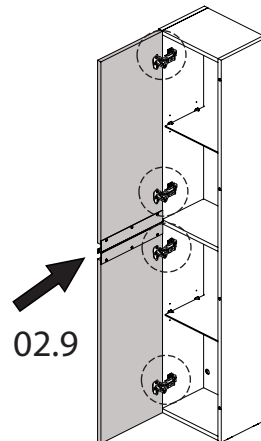
02.7



02.8



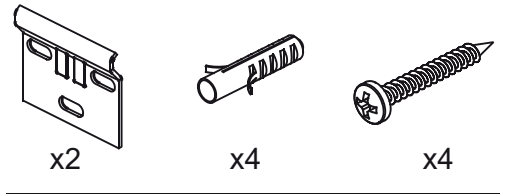
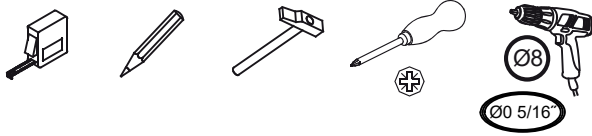
02.9



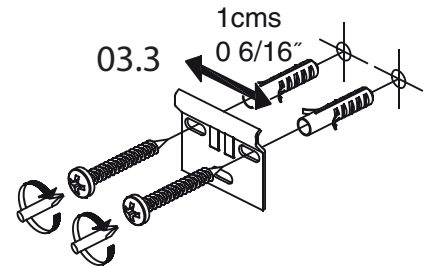
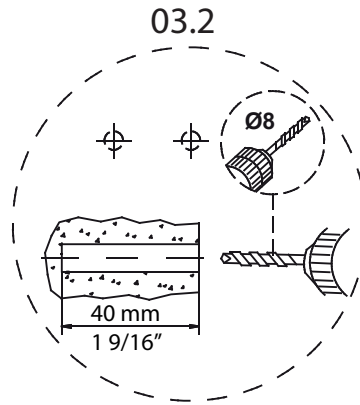
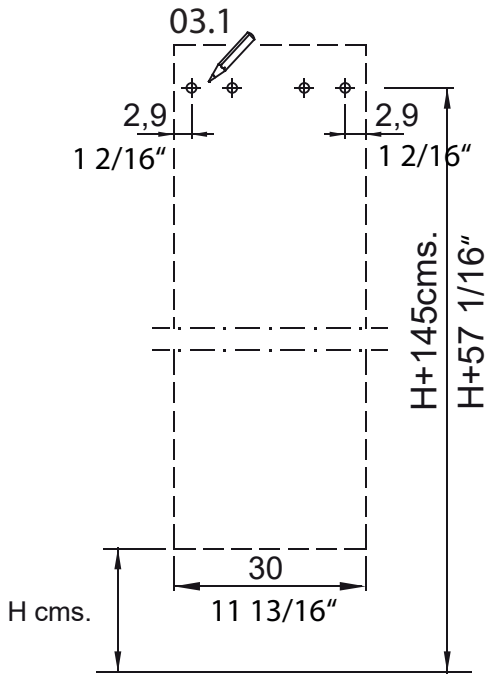
02.9



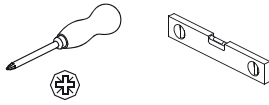
# 03.



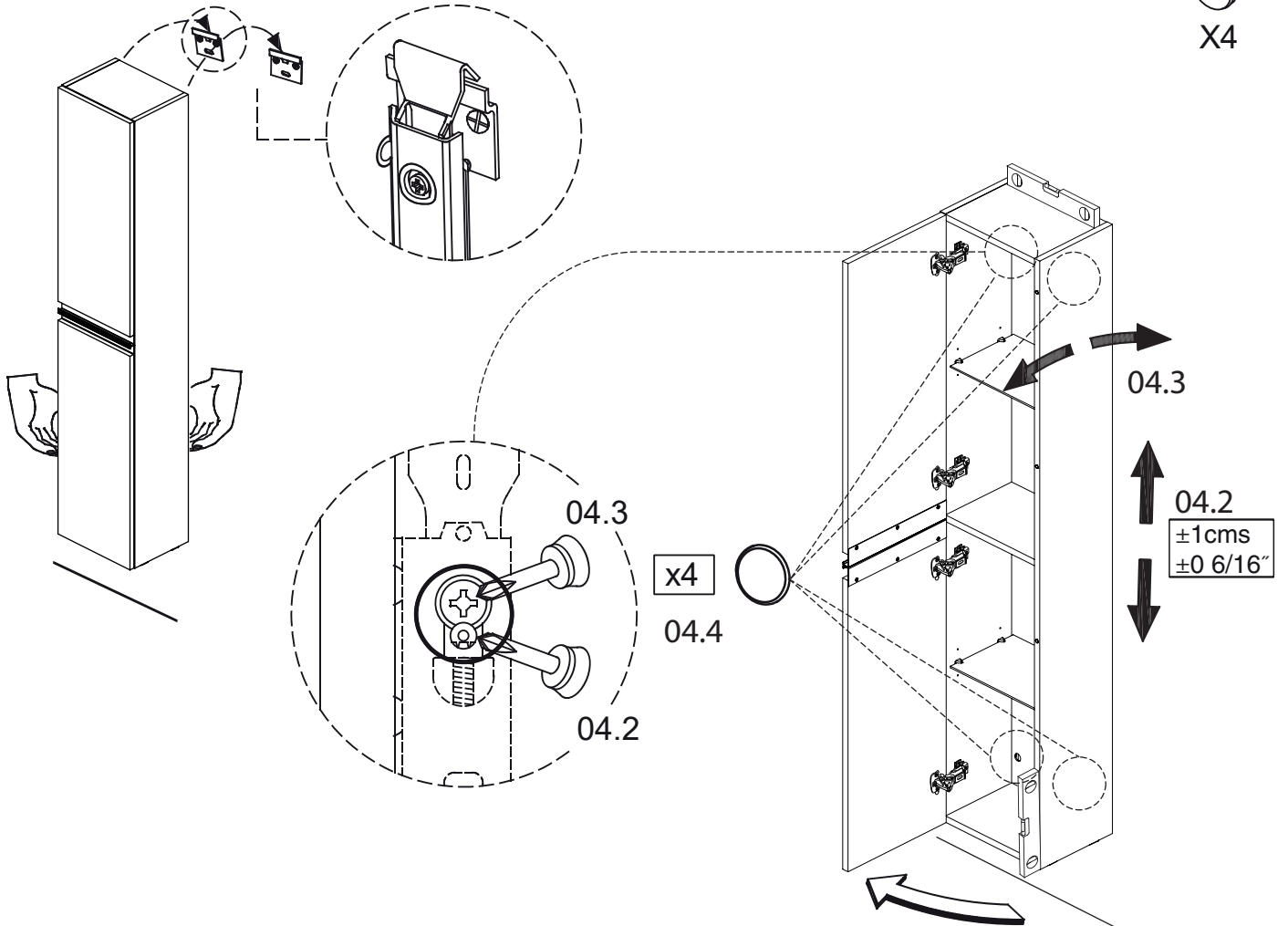
BO-719



# 04.

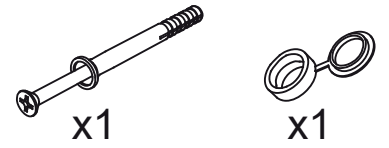
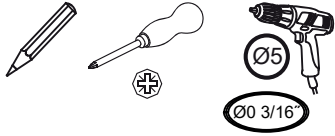


X4

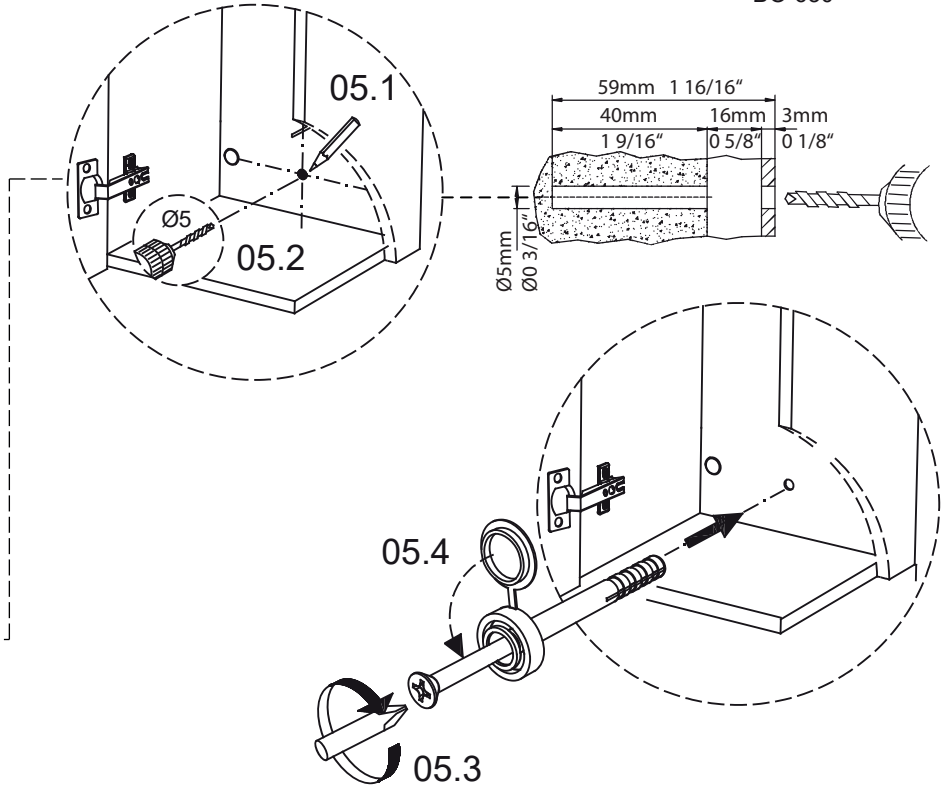
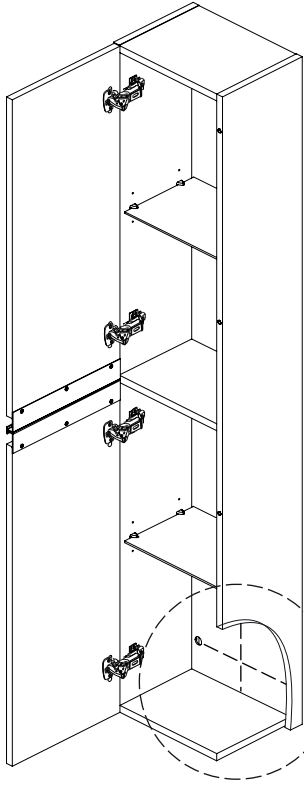




# 05.



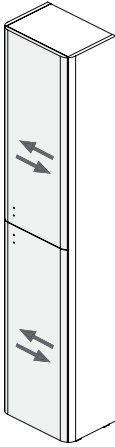
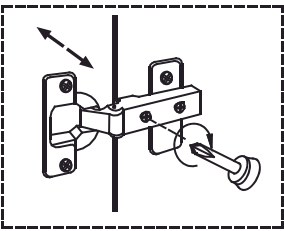
BO-630



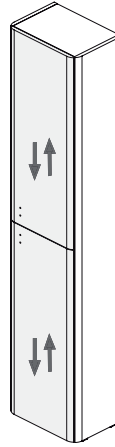
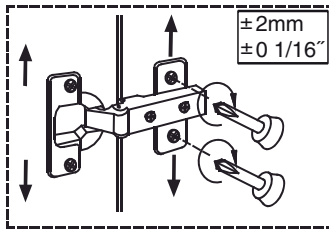
# 06.



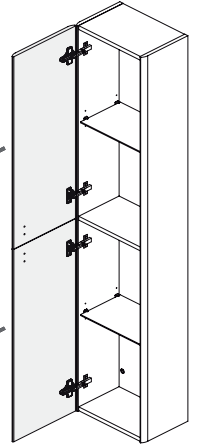
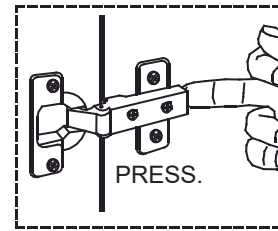
06.1



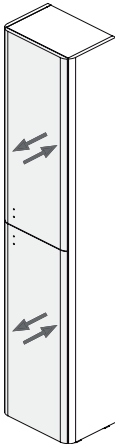
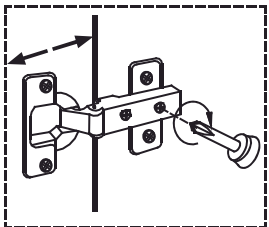
06.2



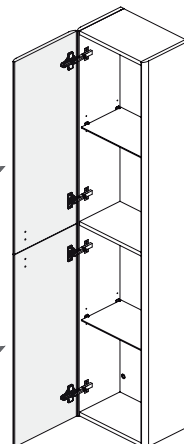
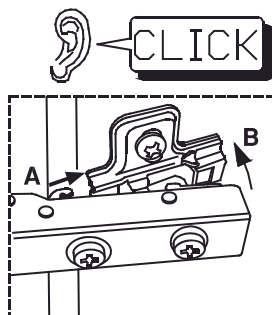
06.3



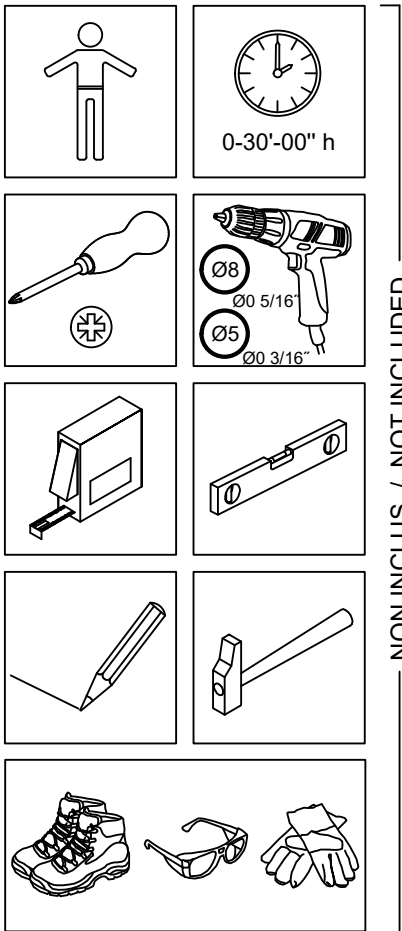
06.4



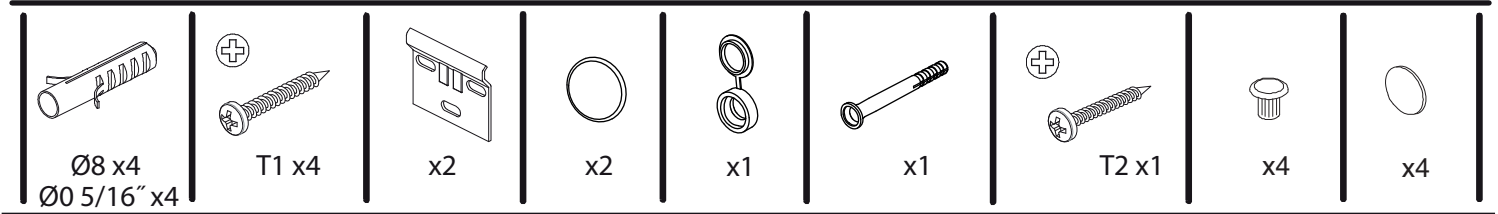
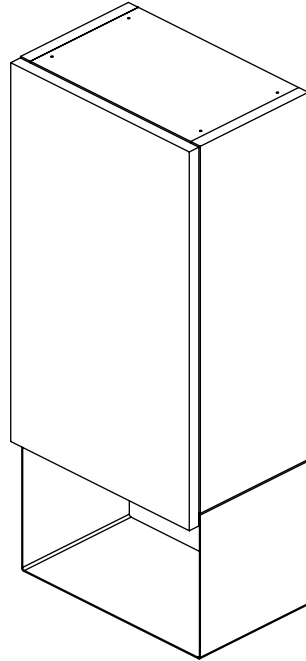
06.5



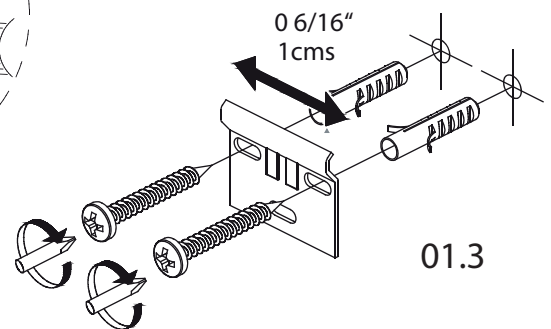
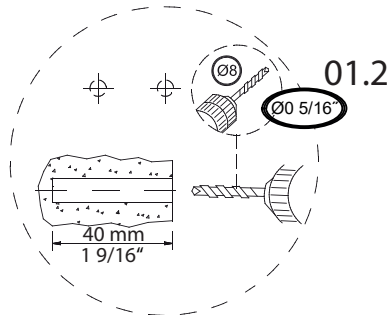
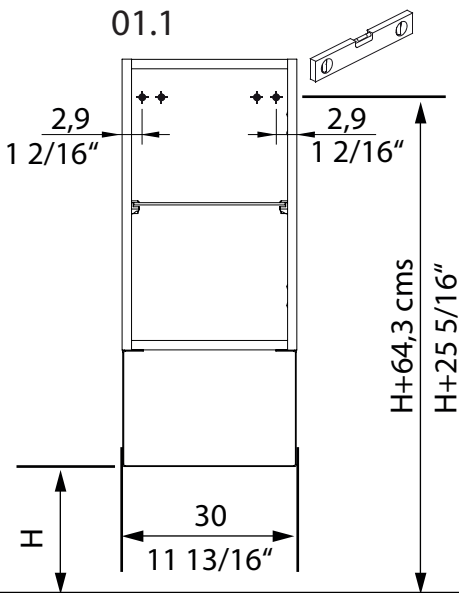
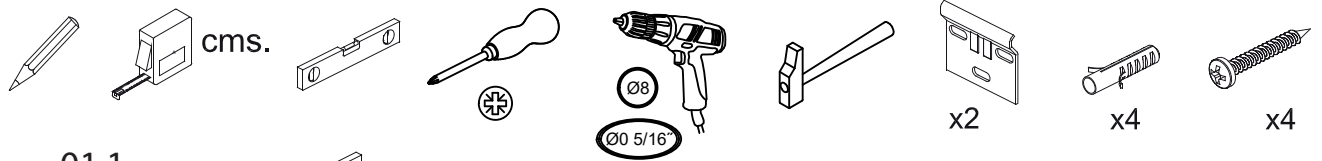
# STRUCTURE



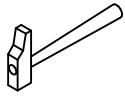
NON INCLUS / NOT INCLUDED



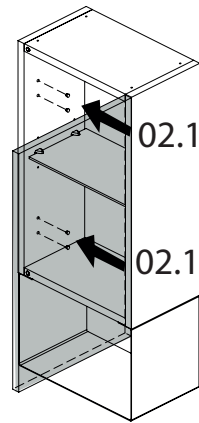
01.



02.



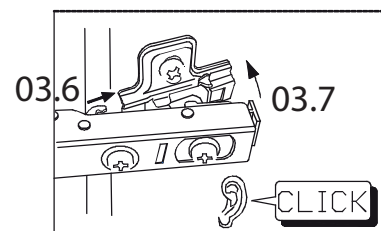
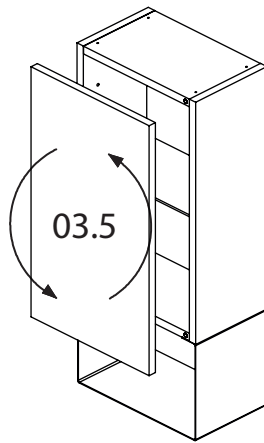
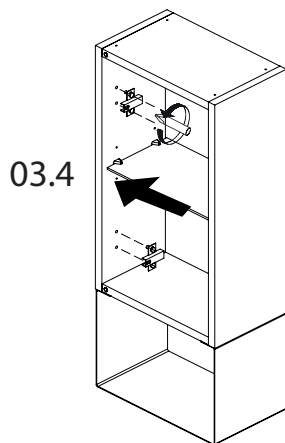
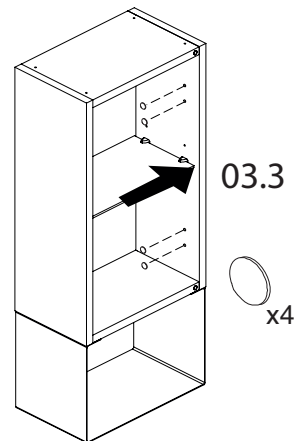
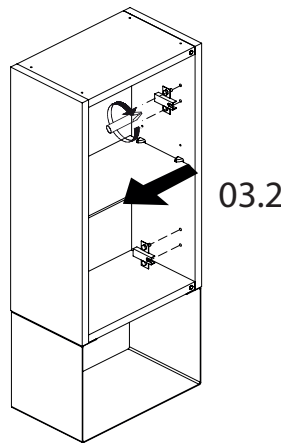
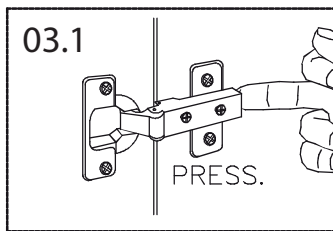
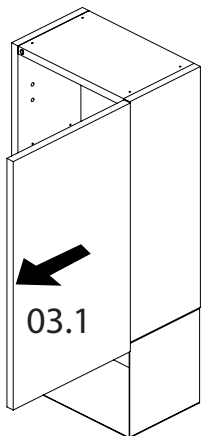
x4



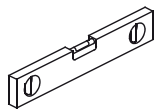
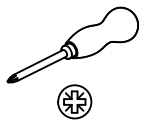
03.



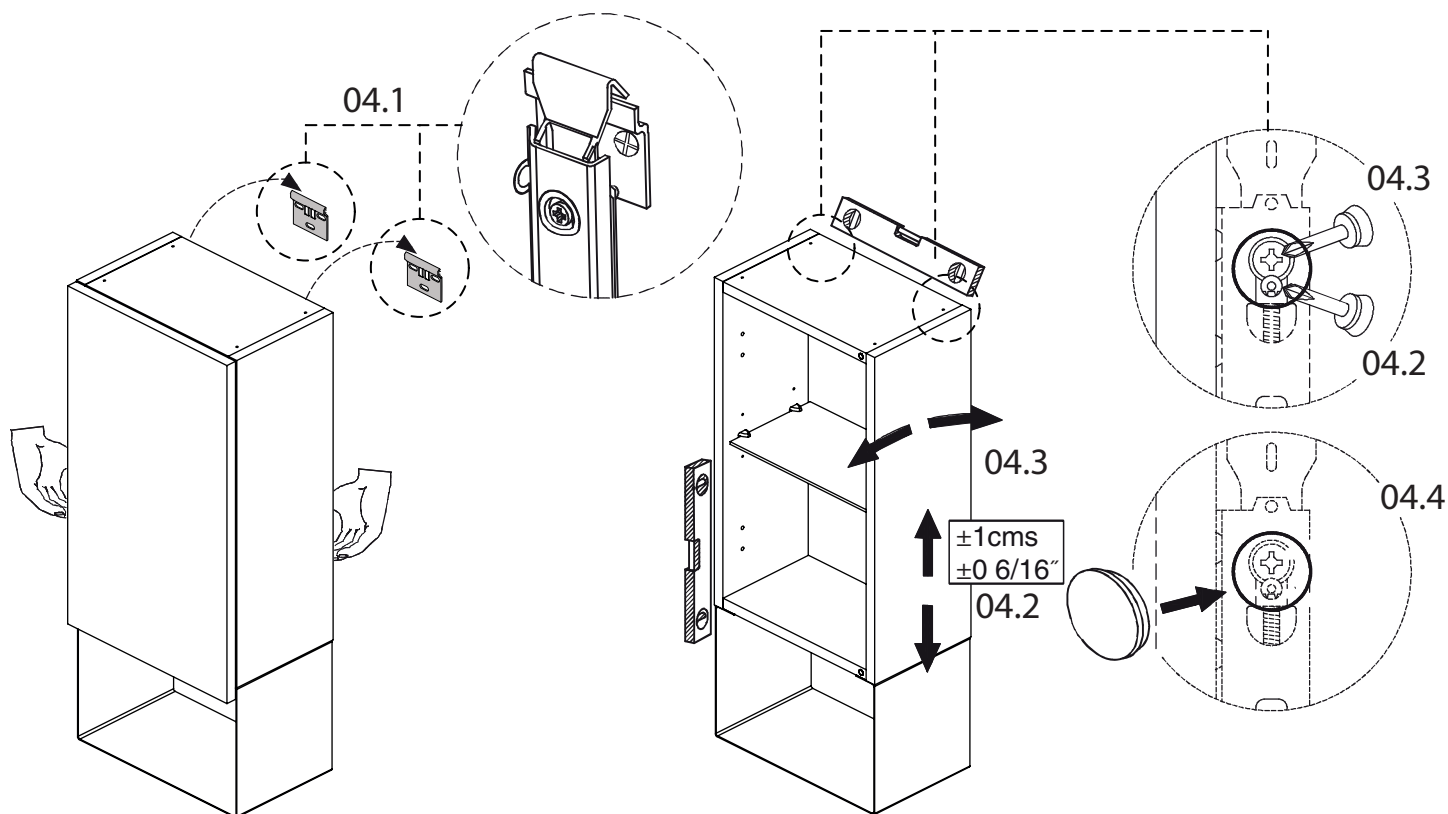
x4



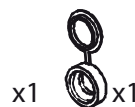
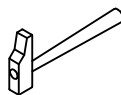
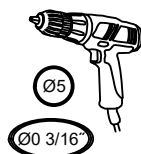
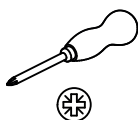
# 04.



x2



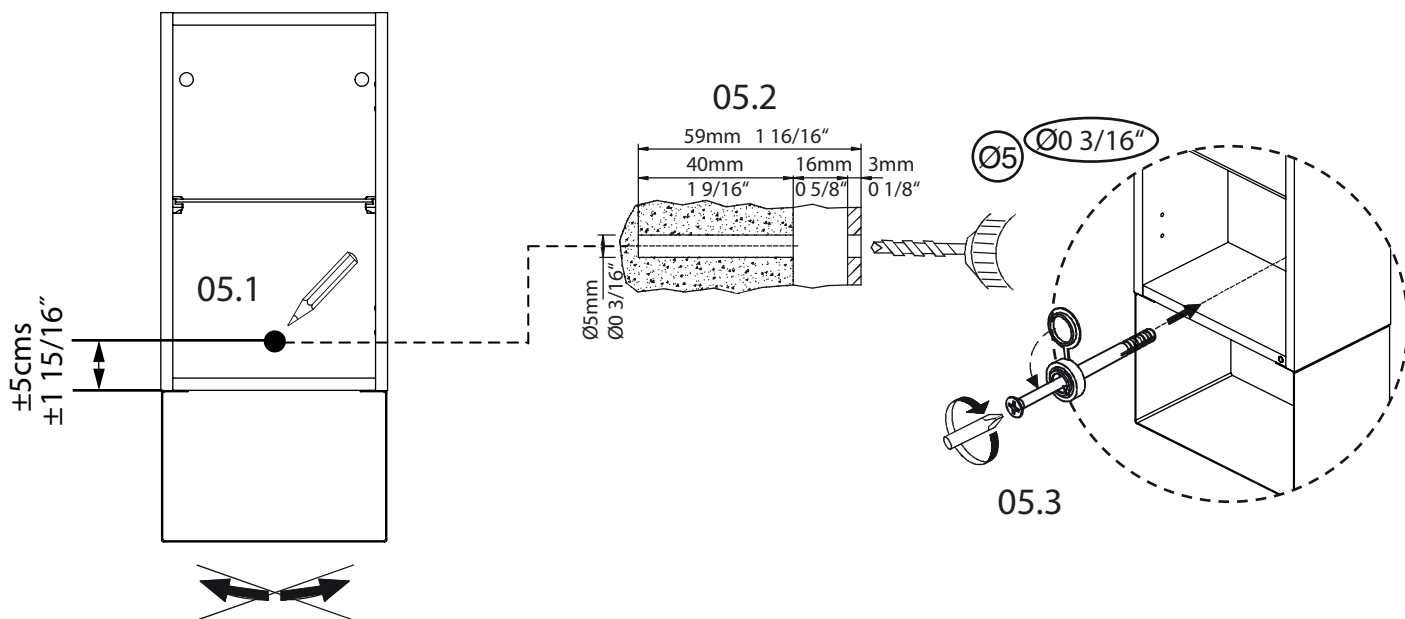
# 05.



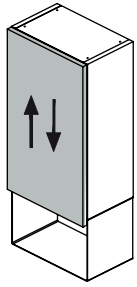
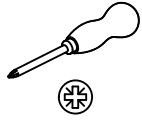
x1

T2 x1

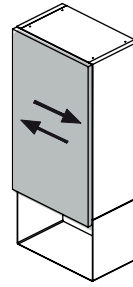
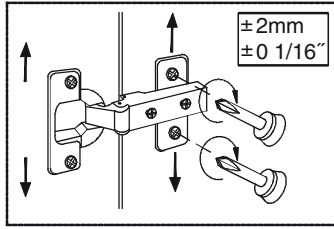
x1



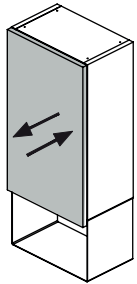
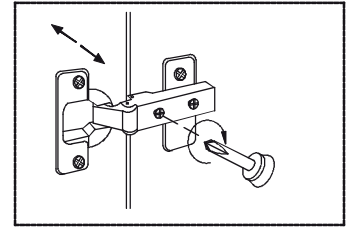
# 06.



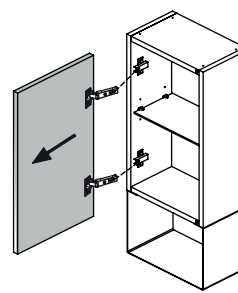
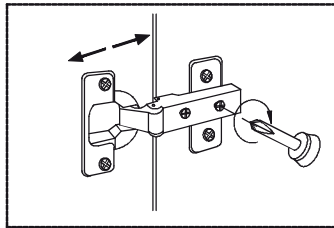
06.1



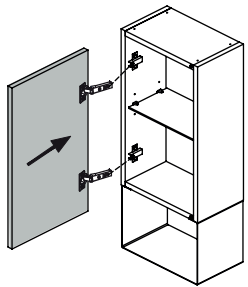
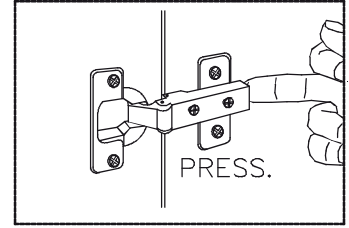
06.2



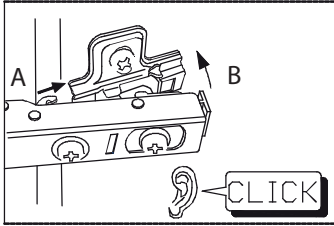
06.3



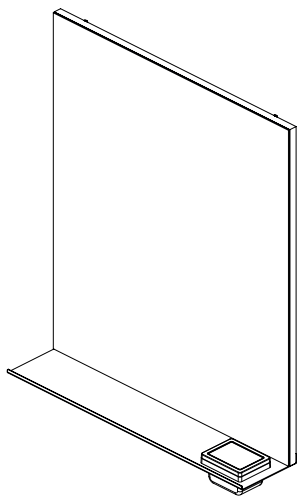
06.4



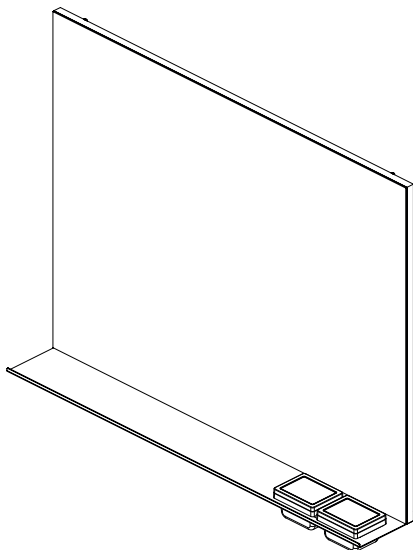
06.5



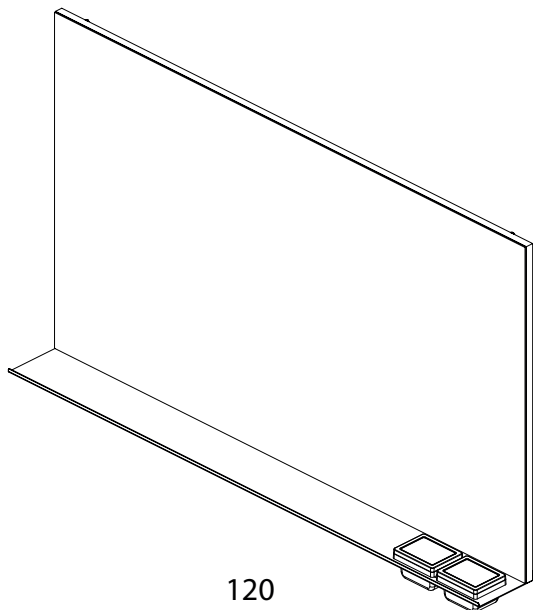
# REPISA STRUCTURE



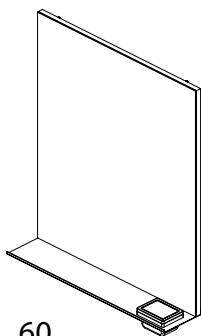
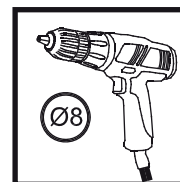
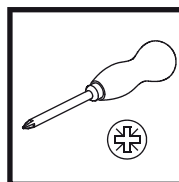
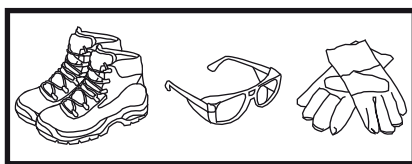
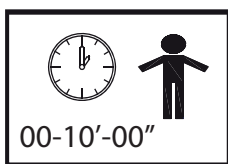
60



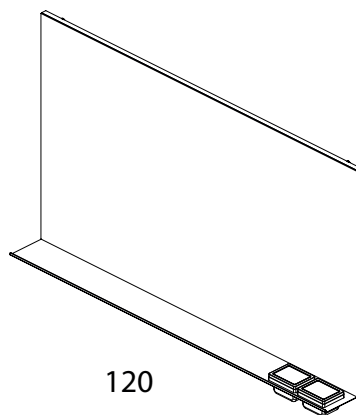
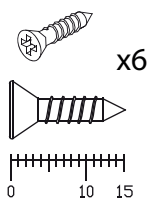
90



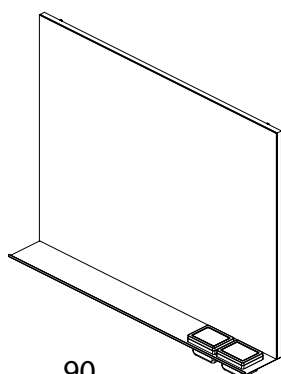
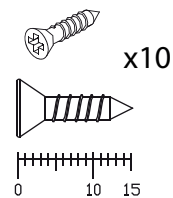
120



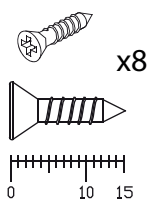
60



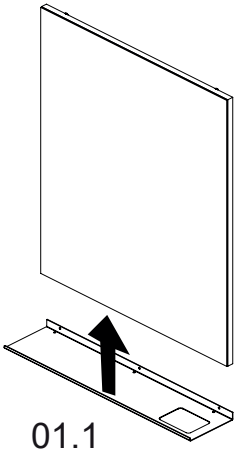
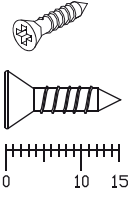
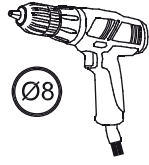
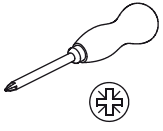
120



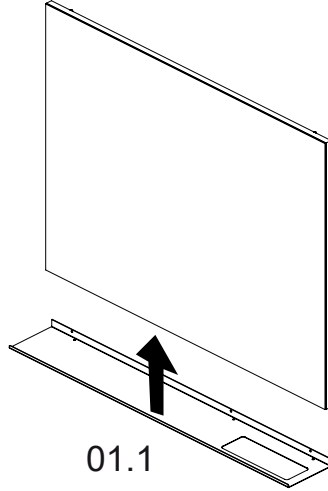
90



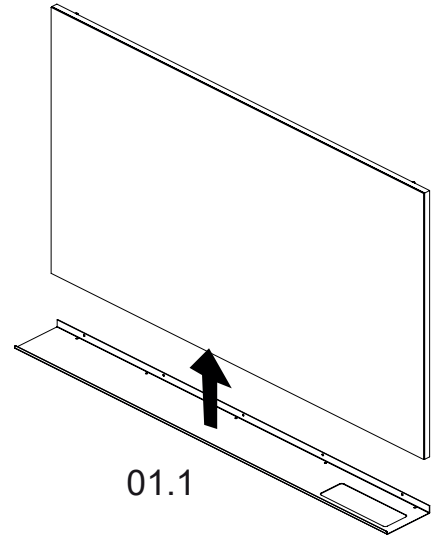
01.



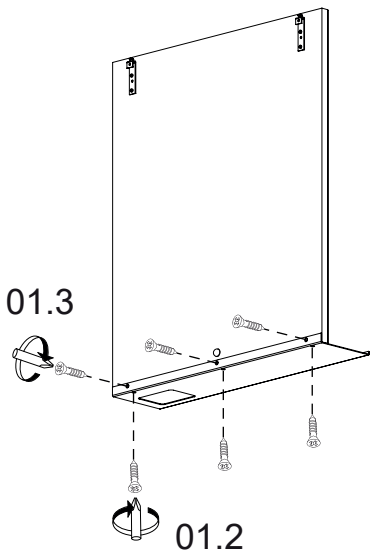
01.1



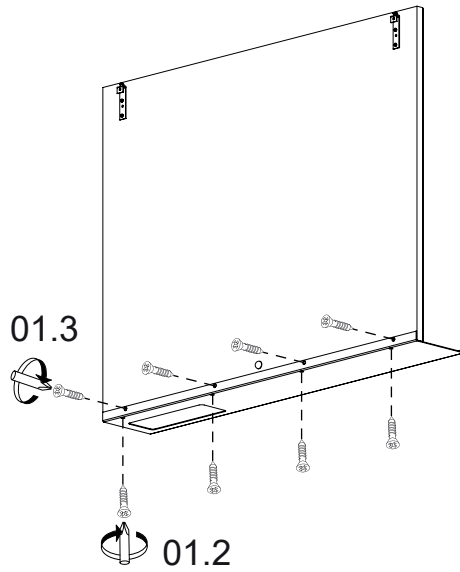
01.1



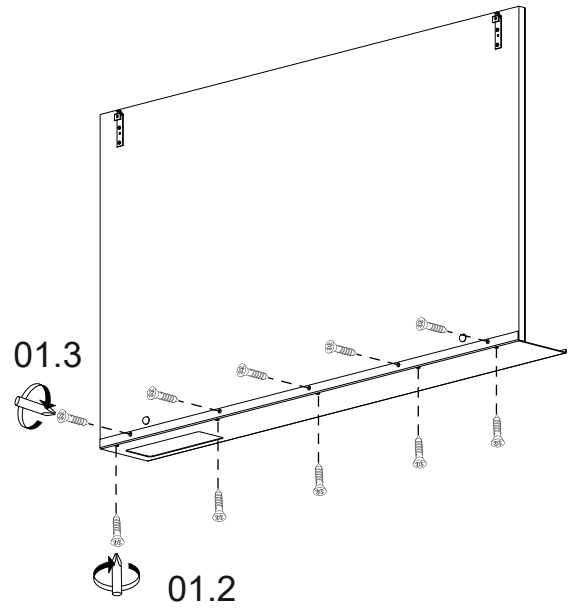
01.1



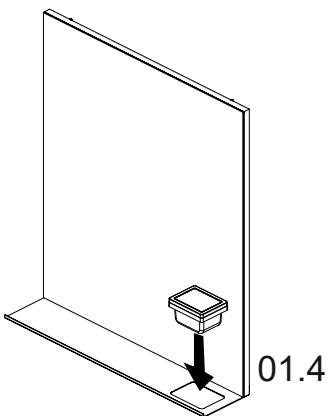
01.2



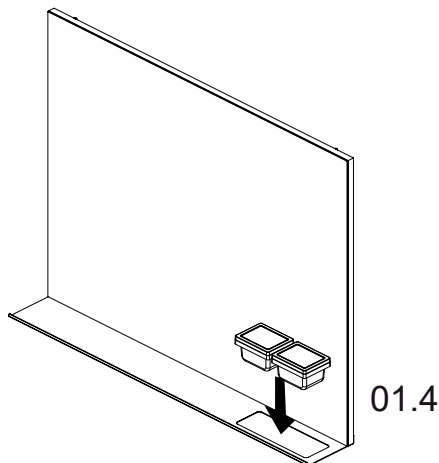
01.2



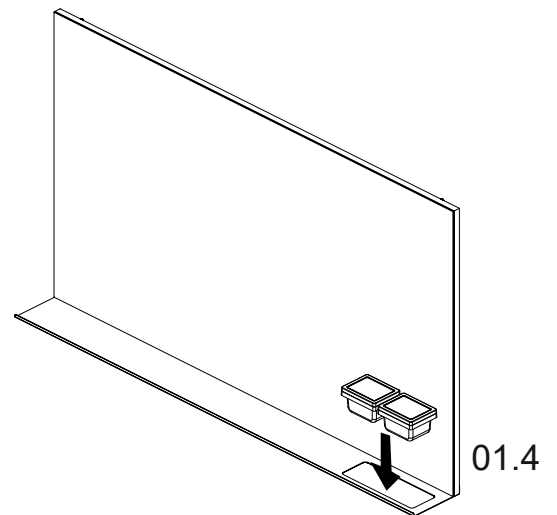
01.2



01.4



01.4



01.4