

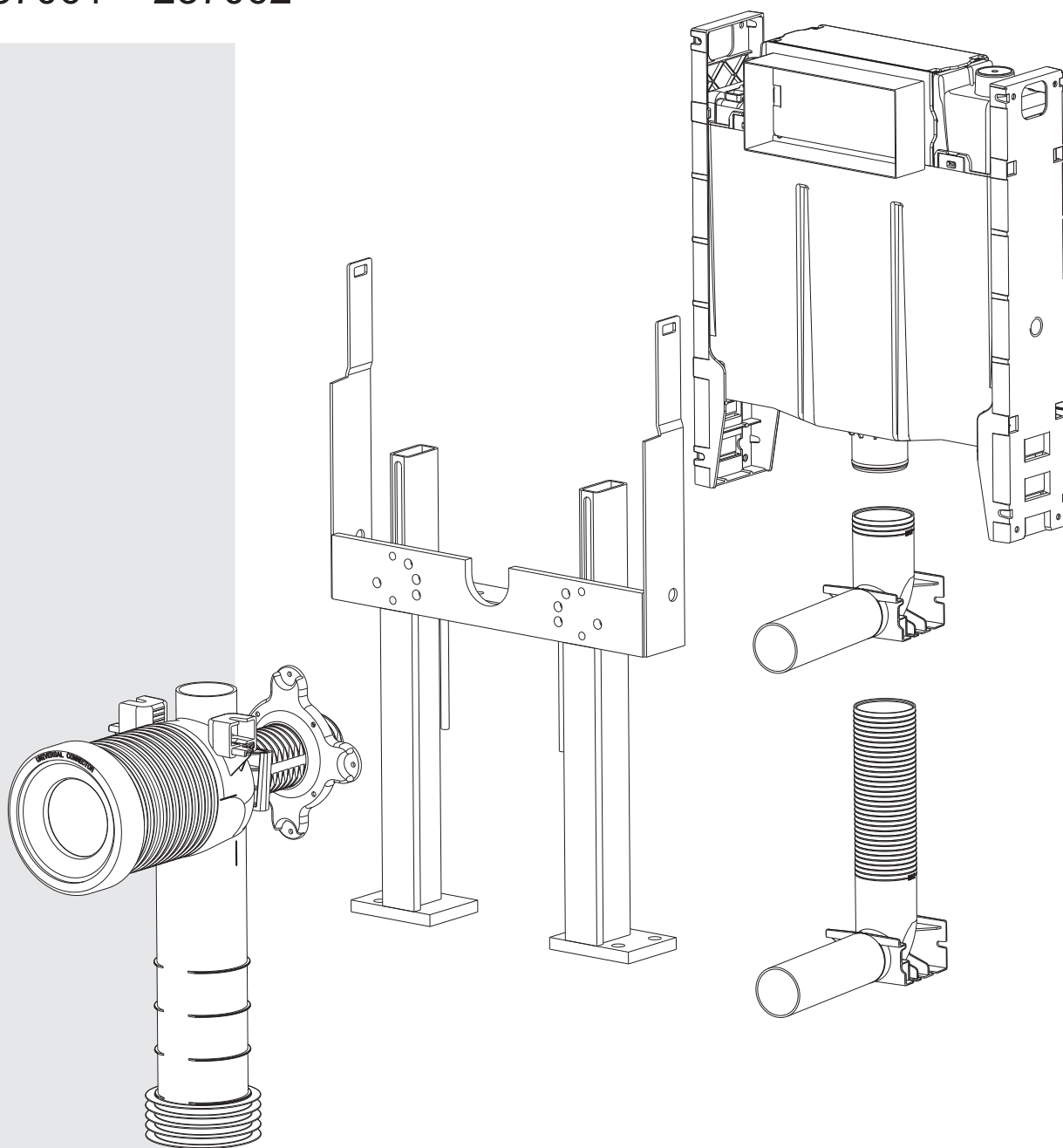
INVISI™

SERIES II

1.28/0.8 Gal (4.8/3 Litre)

Concealed Tank

237060 + 237061 + 237062



5 Step Easy Install.....	3
Installation Requirements.....	3
Tank Service Access Options.....	4
Button Service Access Options.....	5
Installing the Tank - 237 061 237 060	
Inwall Access.....	6
Induct Access.....	8
Where adjustment of the tank height is required.....	9
Installing the Tank - 237 062	
Under Counter Access.....	10
Optional Remote Mounting Box Kit - 237 006	11
Access Panel Variations.....	11
Preparation for Fit out.....	12
Removing Internal Components through Access Window.....	13
Servicing - Outlet Valve.....	14
Servicing - Inlet Valve.....	15
Important Notices.....	16
Helplines.....	16

5 Step Easy Install

1

**Check
Installation
Requirements**

2

**Select
Tank Service
Access Options**

3

**Select
Button Service
Access Options**

4

**Installing
the Tank**

5

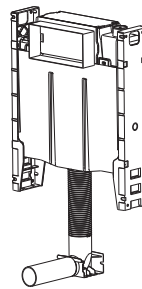
**Preparation
for Fit out**

Installation Requirements

237 060 - Invisi II 4.8/3L Dual Flush Tank - For Floor Mounted Bowl Only

CONTENTS

- Invisi II - 4.8/3L Concealed Tank
- Mounting Brackets
- Tall Flush Pipe
- 19.7"/0.5m of Pneumatic Tube
- Tank Fixing Pack
- Brass Water Supply Fitting



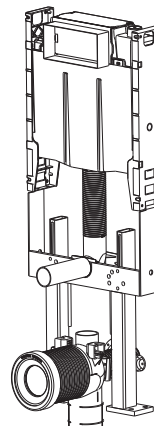
REQUIREMENTS

- 3.5"/90mm Min. Inwall Cavity Depth
- 15.75"/400mm Min. - 16.5"/420mm Max Cavity Width (e.g. between studs)
- ½" NPT Water Connection

237 061 - Invisi II 4.8/3L Dual Flush Tank - with Standard Wall Hung Bowl Bracket

CONTENTS

- Invisi II - 4.8/3L Concealed Tank
- Mounting Brackets
- Inwall, Wall Hung Bowl Bracket
- Tall Flush Pipe
- 19.7"/0.5m of Pneumatic Tube
- 3.5"/90mm Waste Pipe
- Bowl Bracket Fixing Pack
- Brass Water Supply Fitting



REQUIREMENTS

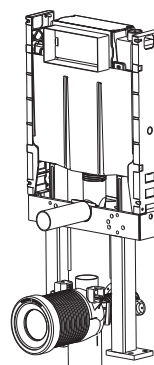
- 3.5"/90mm Min. Inwall Cavity Depth
- 15.75"/400mm Min. - 16.5"/420mm Max Cavity Width (e.g. between studs)
- ½" NPT Water Connection

NOTE: Non-compressible material must be installed on wall behind the bowl.

237 062 - Invisi II 4.8/3L Dual Flush Tank - with Under Counter Wall Hung Bowl Bracket

CONTENTS

- Invisi II - 4.8/3L Concealed Tank
- Mounting Brackets
- Under Counter, Wall Hung Bowl Bracket
- Short Flush Pipe
- 19.7"/0.5m of Pneumatic Tube
- 3.5"/90mm Waste Pipe
- Bowl Bracket Fixing Pack
- Brass Water Supply Fitting



REQUIREMENTS

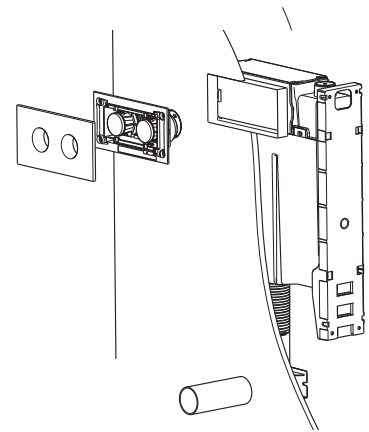
- 33.5"/850mm Min. Height to under counter
- 3.5"/90mm Min. (Front Mount Button Panel) 3.9"/100mm Min. (Top Mount Button Panel) Inwall Cavity Depth
- 15.75"/400mm Min - 16.5"/420mm Max Cavity Width (e.g. between studs)
- ½" NPT Water Connection

NOTE: Non-compressible material must be installed on wall behind the bowl.

Inwall Access

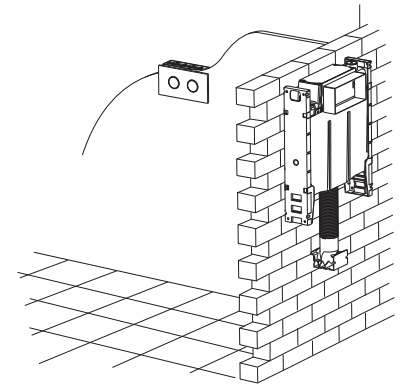
This allows access to tank internals through the button panel window. Standard installation requires no change to product configuration.

An optional Remote Mounting Box Kit (refer to page 11) is required if using Remote Button Panel and/or extending the flush pipe .



Remote Access

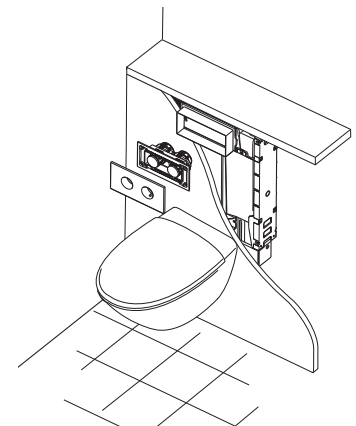
This allows access to the whole tank. Standard installation will require Remote Mounting Box Kit (refer to page 11) for use with Remote Button Panel.

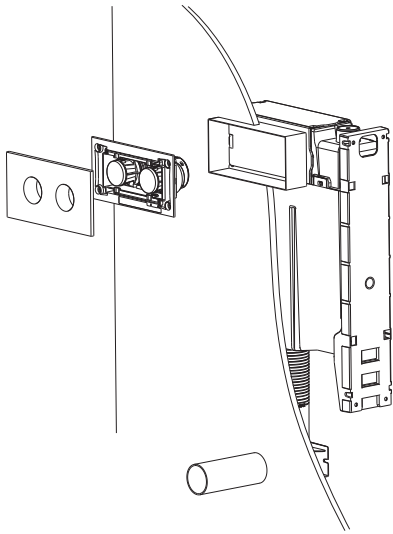


Under Counter Access

This allows access to tank internals through the button panel window. Standard installation requires no change to product configuration.

Optional Top Access will require the access panel to be converted (refer to page 11).



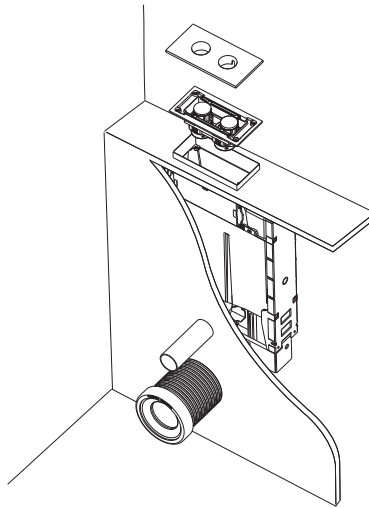


Direct Panel Mounting - Front

This is suitable for use with any of the button panel kits.

Requires a 0.2" (5mm) minimum - 1.8" (45mm) maximum wall thickness.

Access to the tank internals is provided through the panel window.

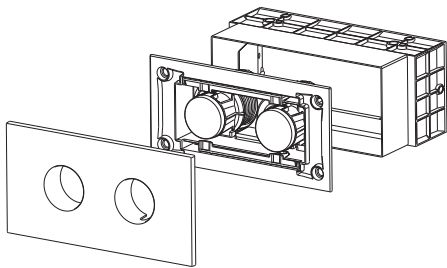


Direct Panel Mounting - Top

This is suitable for use with any of the button panel kits.

Requires a 0.2"(5mm) minimum - 1.8" (45mm) maximum wall thickness.

Access to the tank internals is provided through the panel window.

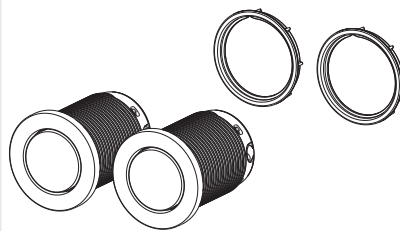


Remote Panel Mounting

This is suitable for use with any of the button panel kits.

Requires a 0.2" (5mm) minimum - 1.8" (45mm) maximum wall thickness.

A Blank Access Panel is required for inwall access to tank internals.

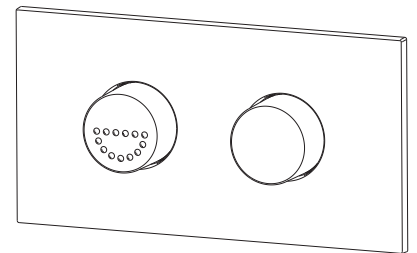


Remote Button Mounting

Access to the rear of the buttons must be provided for servicing.

Suitable for mounting through panels up to 2.2" (55mm) thick.

A Blank Access Panel is required for inwall access to tank internals.



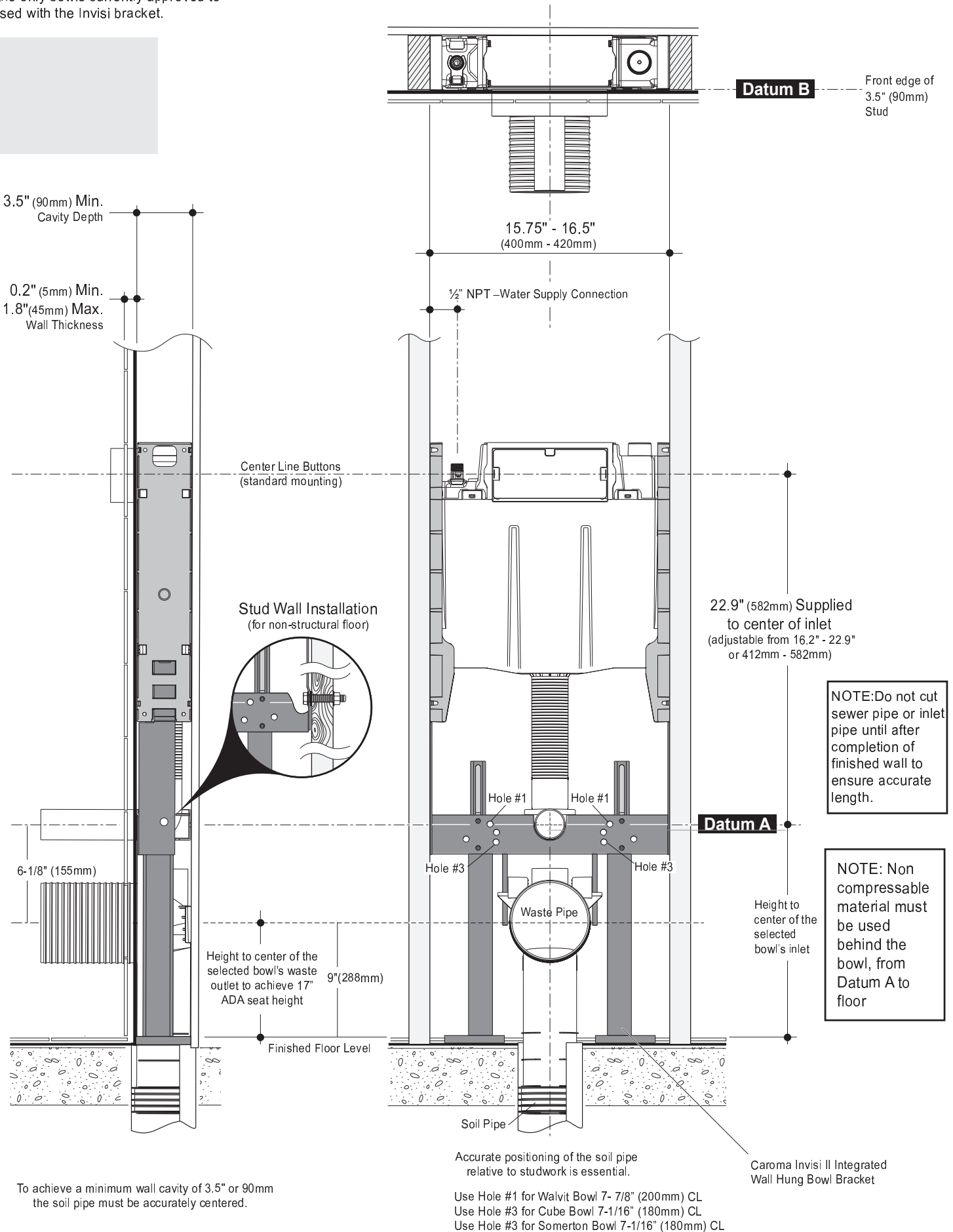
Care Button Panel

A Care Button Panel is available for use in ADA applications.

Inwall Access

See page 8 for detailed rough-in instructions

The Caroma Cube, Somerton and Walvit are the only bowls currently approved to be used with the Invisi bracket.

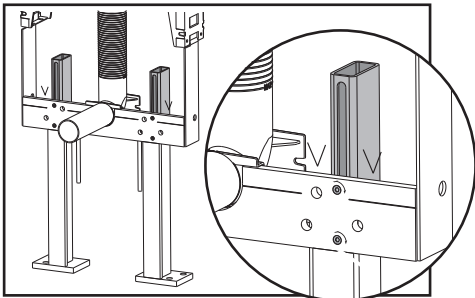


Inwall Access - continued

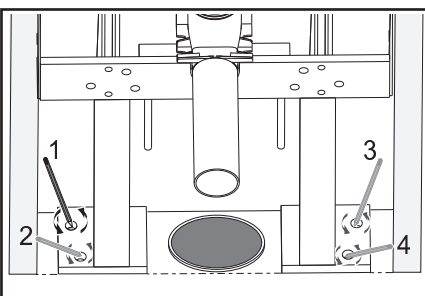
1. Check that the 4" (100mm) soil pipe is centered between the studs - check there is 15.75" - 16.5" (400 - 420 mm) between the studs (17.7" or 450mm nominal to stud centers). 3" connection as well as the 4" depending on your local code requirements.

2. Calculate the finished floor height (allowing for floor gradings and tile thickness, etc.) and add this to the known height of the selected bowl's inlet. Mark this resulting height on the stud - **This is your "Datum A" and flush pipe center line.**

NOTE: This is your "Datum A" and flush pipe centre line. From finished floor to centre of waste pipe is 9". From finished floor to centre of flushpipe is 15 1/8" to achieve 17" seat height. See diagram on page 6.



3. Measure and ensure the Flush Pipe center Line which is marked on the Bowl Bracket is at the correct height. This should match the Datum A previously established. Use an allen key to adjust. Ensure bolts are tightened after setting.



4. Place the bowl bracket & tank assembly in position and mark out all 4 bolt locations in the bracket feet.

NOTE: The front face of the bowl bracket should be flush with the front face of the studs ("Datum B") & the 4" (100mm) or 3" (75mm) soil pipe should be centered in both the wall cavity and between studs as well as being cut flush with the floor. (Depending on code approvals in your area: if it is 4" then the insert fitting is used and it is cut flush. If the connection is 3" it is below the floor and the supplied waste pipe is long enough to go through the floor).

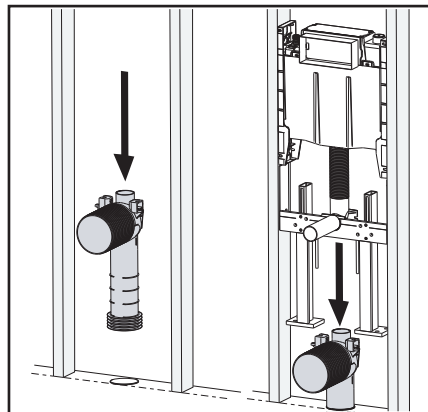
5. Move Bowl Bracket & Tank Assembly out of its installation position and drill the 4 holes in the floor as marked. Carrier must be anchored securely to the floor.

For Structural Flooring (concrete)

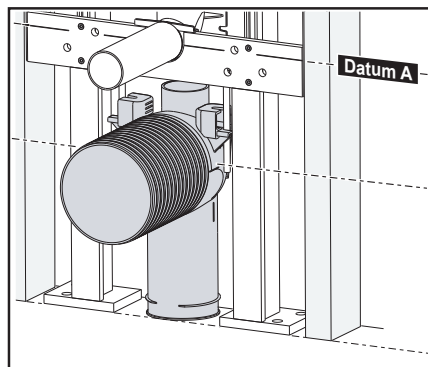
Drill Ø1/2" or 12mm hole for use with M12 TRU Bolts supplied in pack.

For Non Structural Flooring (wood)

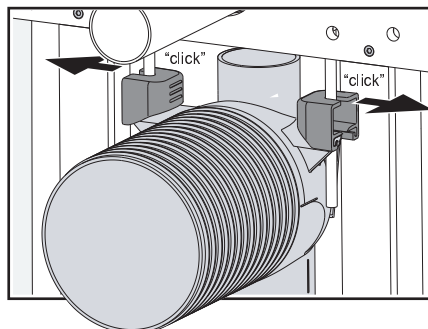
Drill to suit fixings used (fixings not supplied). The vertical arms of the bowl bracket must also be bolted to side studs.



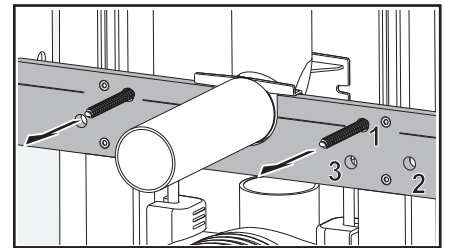
6. Lubricate the Waste Pipe with soap and water and push into the soil pipe. Carefully reposition Bowl Bracket & Tank Assembly and secure with fixings (or use mechanical joint coupler provided this method meets with local code requirements). Add dimensions to diagram as shown.



7. Slide the Waste Pipe up so the center line marked on the body is set at the correct spacing from the flush pipe Datum A.



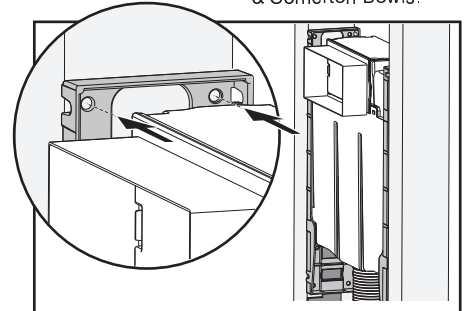
8. Secure the Waste Pipe position by firmly pushing the Waste Pipe Clips outwards to latch on to the threaded rods.



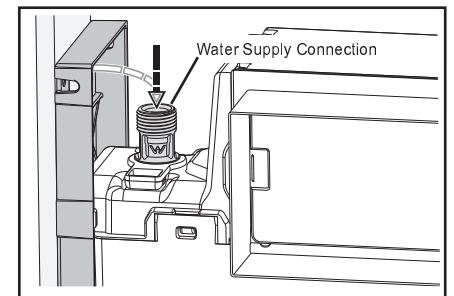
9. Screw in threaded rods for mounting the bowl and lock in position with nuts against the Front Plate.

Three hole spacings are provided:

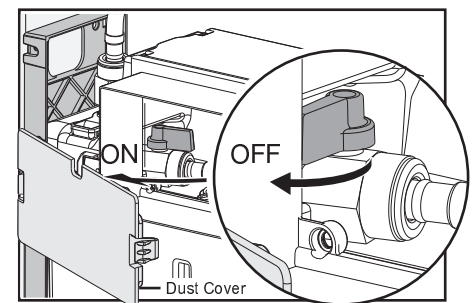
- 1 - 7-7/8" or 200mm. Use Hole #1 for Walvit Bowls.
- 2 - 11" or 280mm.
- 3 - 7-1/16" or 180mm. Use Hole #3 for Cube & Somerton Bowls.



10. Screw the tank in place using at least 1 of the 2 holes provided in the top of each mounting bracket. Make sure the water connection fitting is on the left hand side of tank and tank is flush with wall.



11. Connect the water supply with 1/2" NPT fitting.



12. Remove Dust Cover, turn Isolating Tap **ON**, fill tank & set water level using Adjusting Screw on the inlet valve.

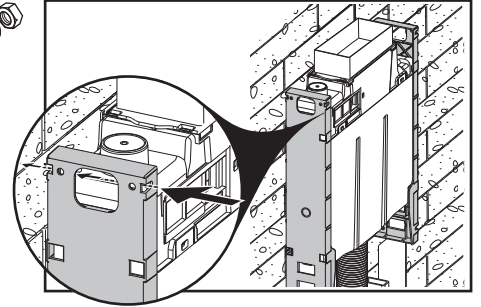
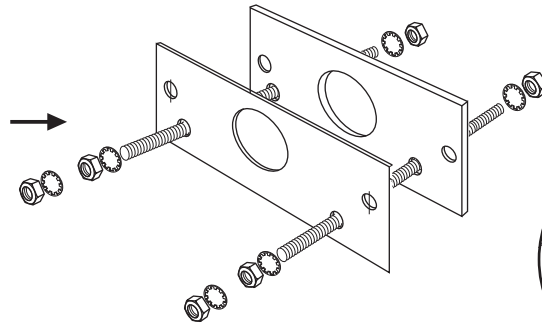
13. Check tank and all joints for leaks.

14. Turn Isolating Tap **OFF**. Continue with Preparation for Fitout on page 12.

Induct Access

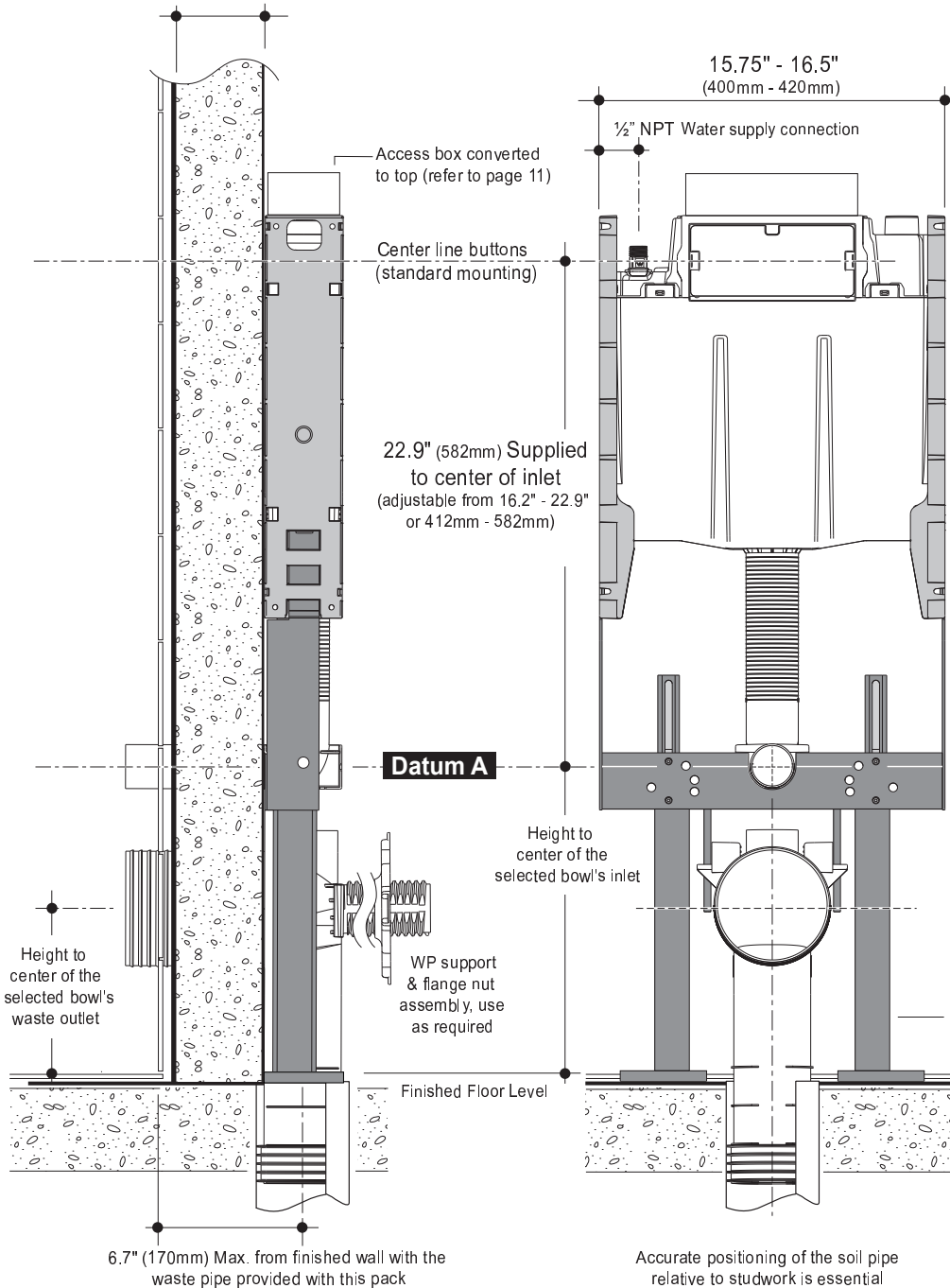
Refer to pages 6 to 7 for installation procedure.

NOTE: For Induct Structural Wall installations, the Invisi II tank pack 237 060 in conjunction with the D788 Sanifix Bolt Through Wall Bowl Bracket (Code No. 687 788) is recommended, as pictured adjacent.



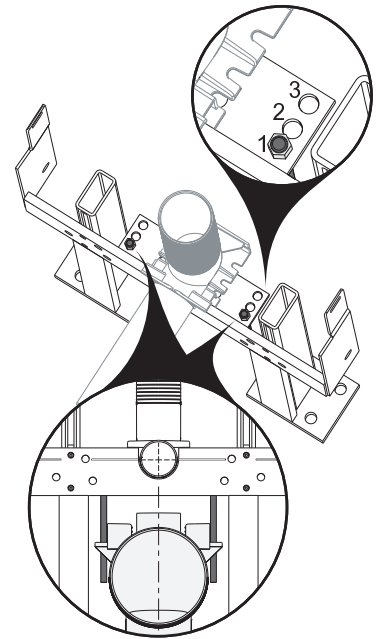
5.3" (135mm) Max. with Supplied flush pipe

Ensure at least 12" (300mm) clearance above top of tank for service access

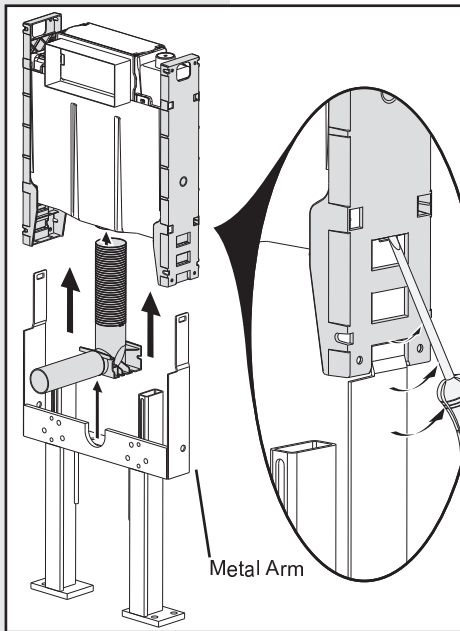


Waste Pipe Adjustment

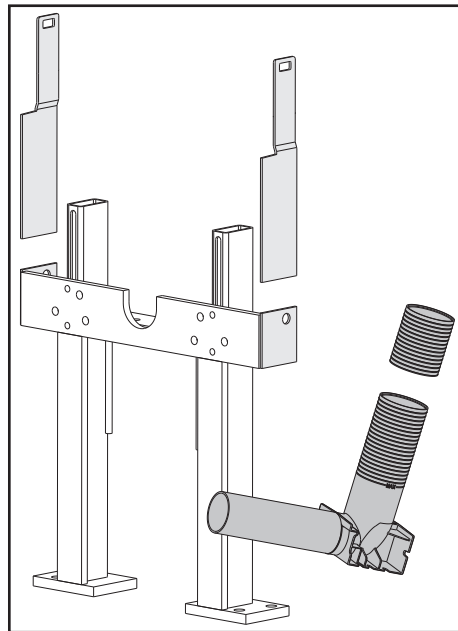
Allows for the 4" (100mm) or 3" (75mm) soil set back from the wall face up to 1" (25mm).



Where adjustment of the tank height is required.

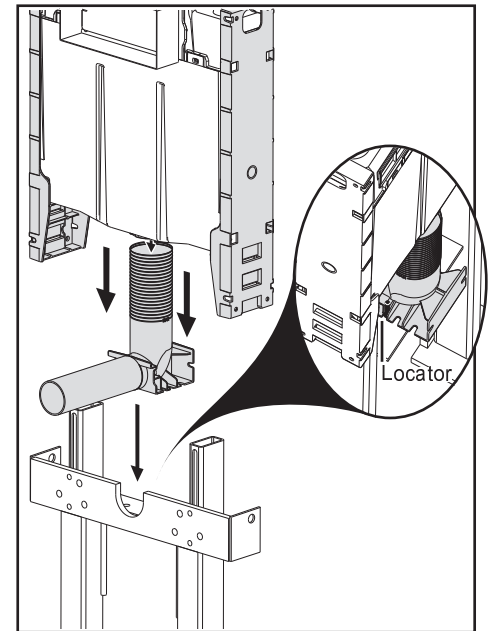


Remove tank from Bowl Bracket using a screw driver to lever the plastic tab out of the hole in the Metal Arm, both sides.



If the Height of the tank is to be lowered, cut the Flush Pipe and chamfer the inside edge.

Cut the Metal Arms on the Bowl Bracket as low as possible.



Lubricate 'O' Ring on tank tail using soapy water & slide Flush Pipe on.

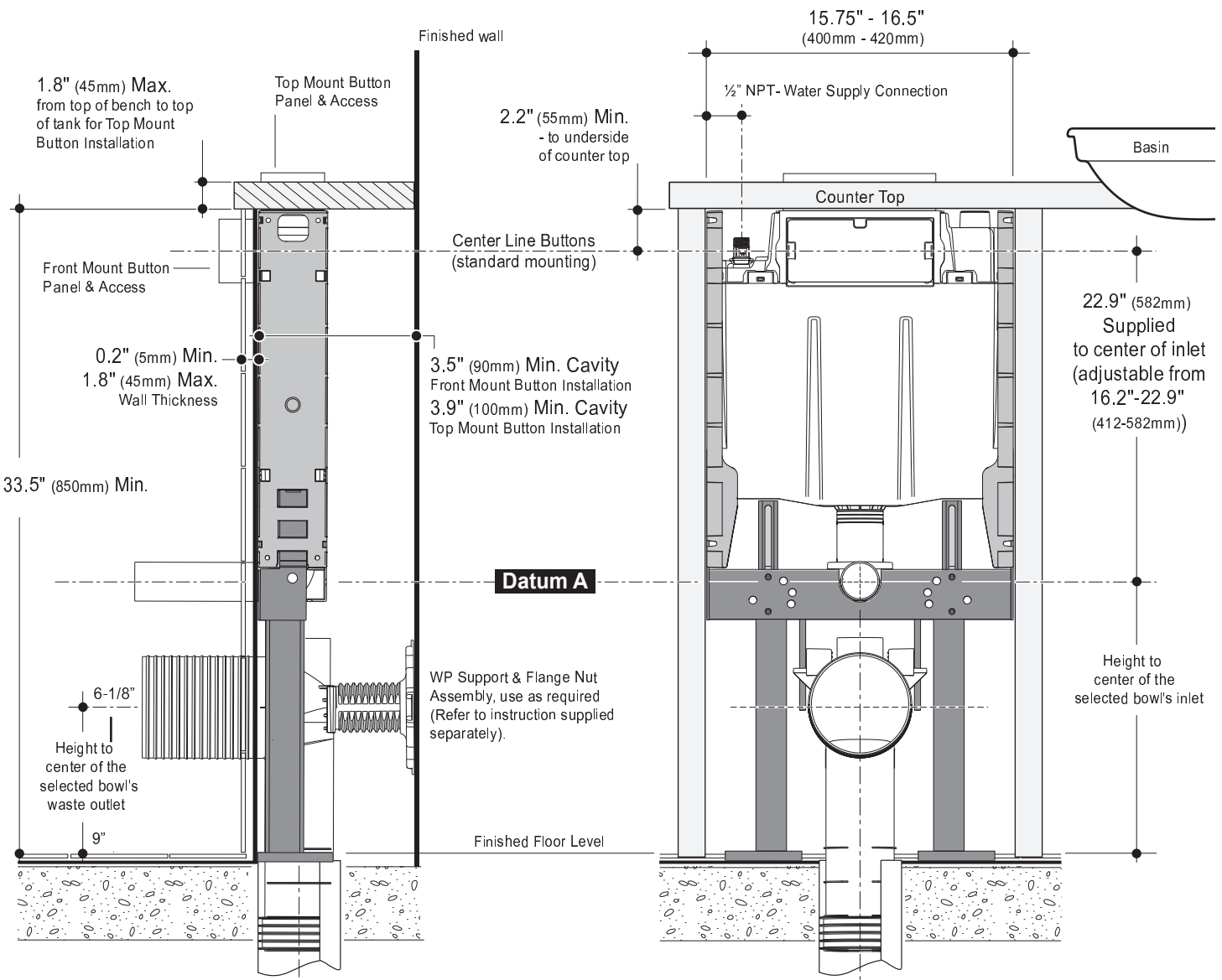
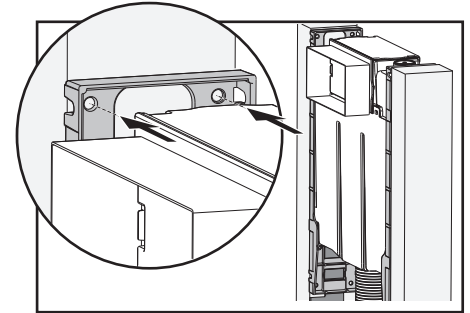
Ensure the Flush Pipe is correctly positioned on the Bowl Bracket.

Continue with installation.

Under Counter Access

Refer to pages 6 to 7 for installation procedure.

Access box converted to top (refer to page 11)



Accurate positioning of the soil pipe relative to studwork is essential.

To achieve a minimum under counter cavity of 3.5" (90mm) the soil pipe must be accurately centered.

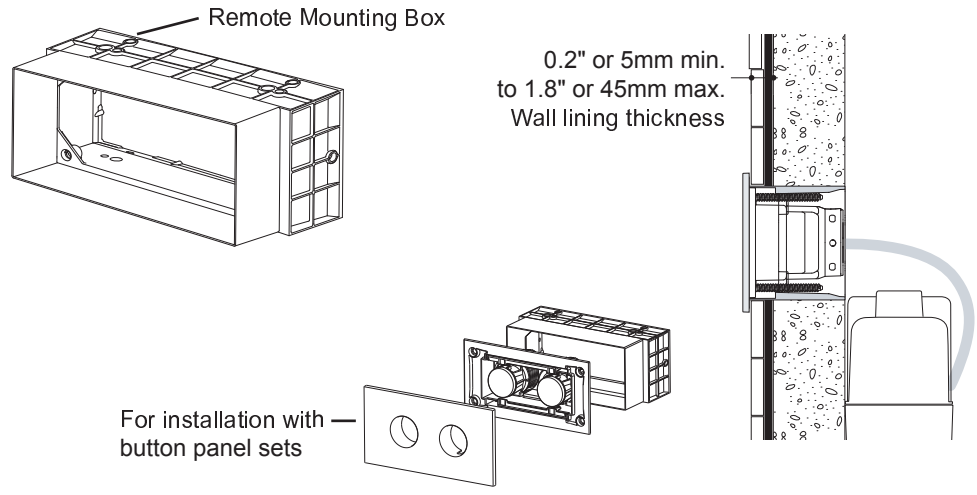
The Bracket system is suitable for installation only where non-compressible wall materials are used.

NOTE: Recommended for ADA installations where buttons are wanted on the accessible side of the bowl.

Kit Includes

- Remote Mounting Box
- 2 x 4m Pneumatic Tubes
- Elevated Flush Pipe Parts

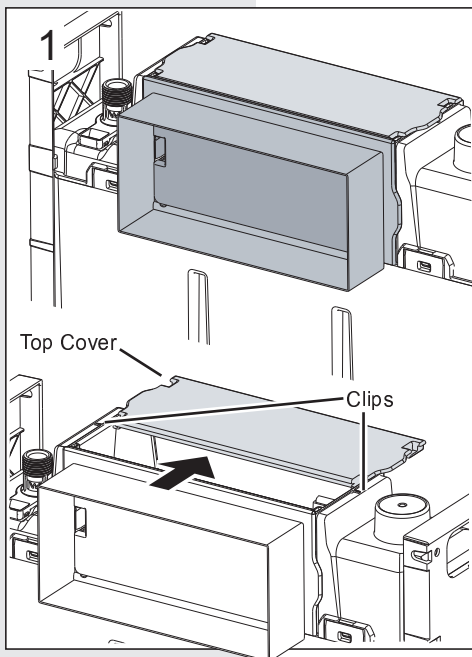
The Remote Mounting Box has been specifically designed in conjunction with and to facilitate the installation of button panel sets in remote Invisi II installations.



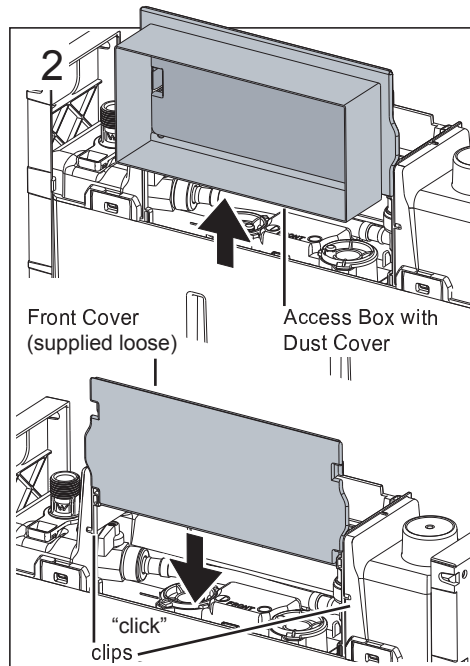
Remote Installation

Access Panel Variations

The Tank is supplied standard with Front Access. For conversion from Front to Top Access follow this procedure.

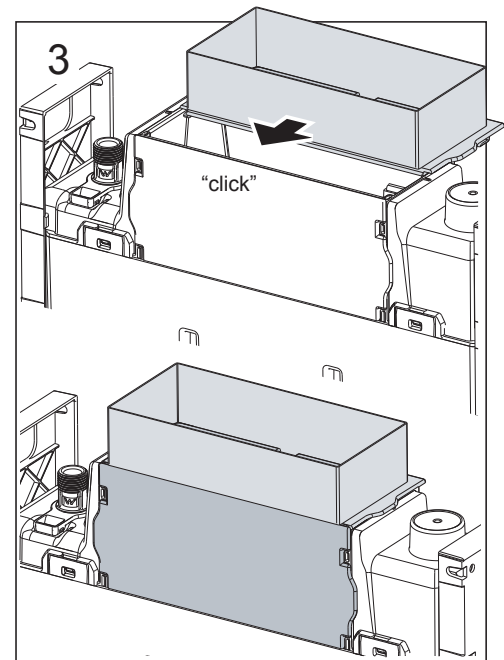


Slide the Top Panel back and off the lid. (This panel will no longer be required). There are clips at each end so the Top Panel should be carefully levered or flexed to clear both clips.



Slide the Access Box up and off the lid. There are clips at each end so the Top Panel should be carefully levered or flexed to clear both clips.

Find the Front Panel supplied loose in the pack (This panel is slightly larger than the Top Panel). Slide the Front Panel onto the lid ensuring it locks into position.



Slide the Access Box onto the lid ensuring the overhang tab is to the rear of the tank and it locks into position.

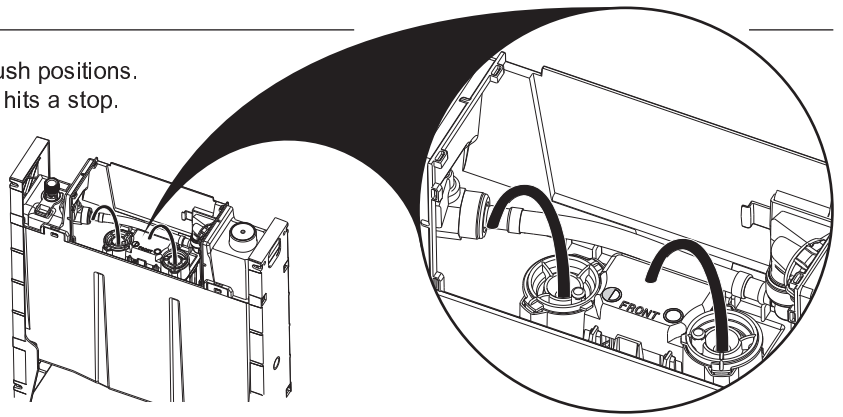
The Panel and Access Box should lock together neatly as shown.

Pneumatic Tube Connections

Firmly connect the pneumatic tube into the half and full flush positions. Each tube should be inserted approx. 0.6" (16mm) until it hits a stop.

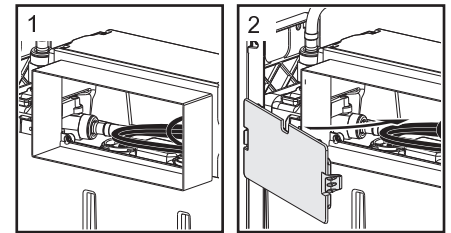
NOTE:

- 4.8/3L Tanks are supplied with 19.7" (0.5m) length pneumatic tube.
- Remote Mounting Box Kit is supplied with 2 x 4m lengths of pneumatic tube.
- 4m lengths of pneumatic tube can be purchased separately. Part No. 237 702.



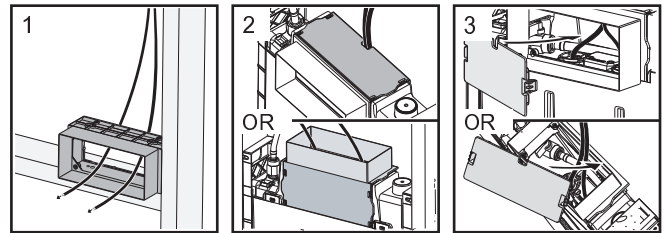
Direct Panel Mounting

Cut Pneumatic Tube in half so you have 2 x 9.8" (0.25m) lengths (ensure a straight clean cut to tube). Attach the tubes to the tank as shown above. Tuck neatly back inside the Access Window and clip the dust cover panel back into position. When finishing the wall, clad and tile right up to the edge of the Access Window.



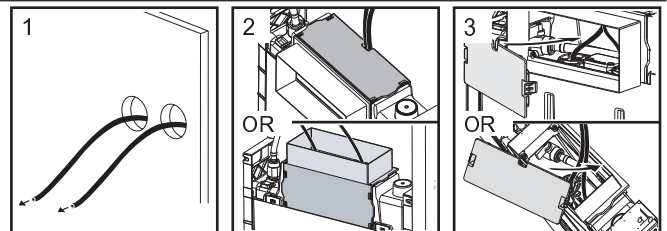
Remote Panel Mounting

Attach the tubes to the tank as shown above. Break out tab in the Top Panel or Dust Cover Panel to allow the Tubes to protrude and clip back into position. Feed the 4m lengths of Pneumatic Tube through the framework and out through the Mounting Box. Apply tape over end of tubes to prevent any dirt from getting inside and tuck neatly back inside the Mounting Box. When finishing the wall clad and tile right up to the edge of the Access Window and or Remote Mounting Box.

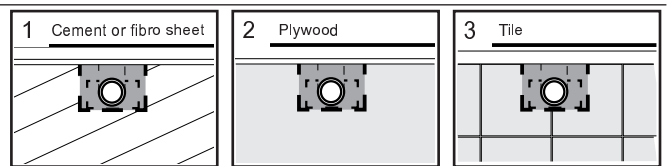


Remote Button Mounting

Attach the tubes to the tank as shown above. Break out tab in the Top Panel or Dust Cover Panel to allow the Tubes to protrude and clip back into position. Feed Pneumatic Tubes through the framework and out through the Drilled Holes. Apply tape over end of tubes to prevent any dirt from getting inside and tuck neatly back inside holes.



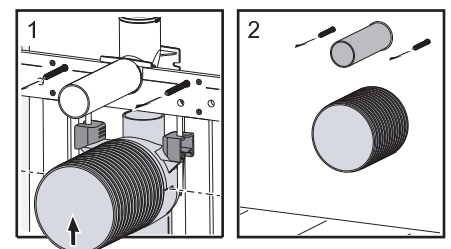
Options for Finishing Around the Flush Pipe



Bowl Bracket

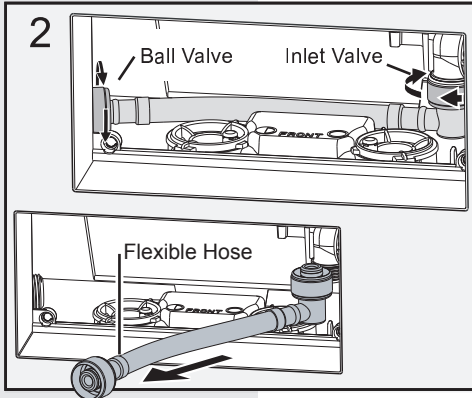
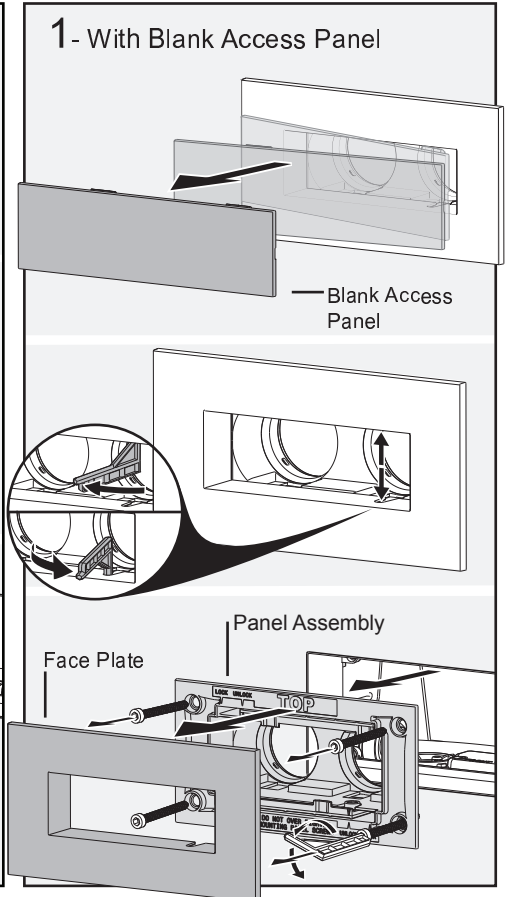
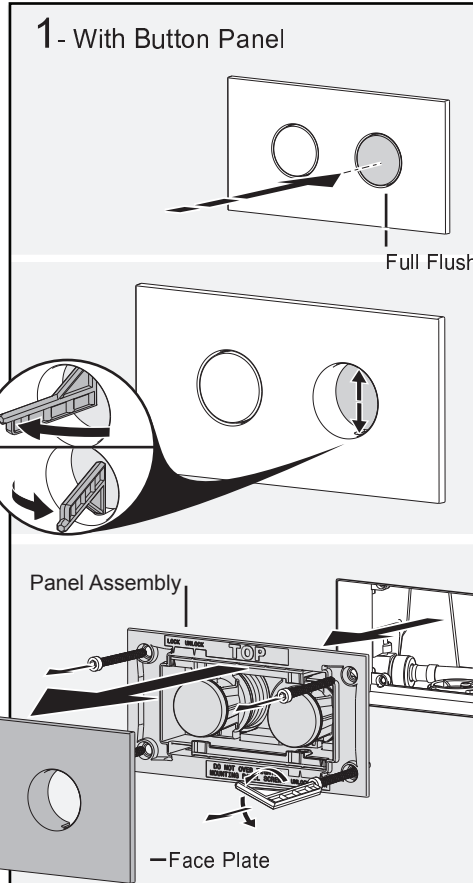
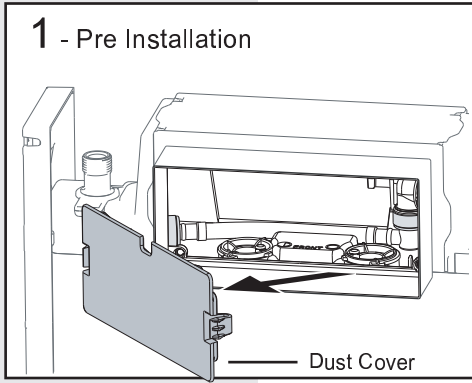
Ensure the Wall Hung Bowl Mounting Bolts, Flush Pipe and Waste Pipe are all set to the correct height and spacing to suit the selected bowl. When finishing the wall clad and tile right up to the edge of these parts.

The Caroma Cube, Somerton and Walvit are the only bowls currently approved to be used with the Invisi bracket.

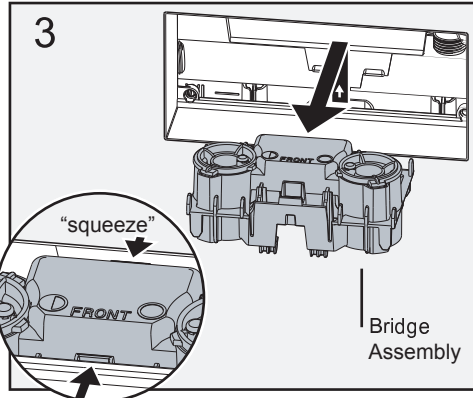


For instructional videos, please visit www.caromausa.com

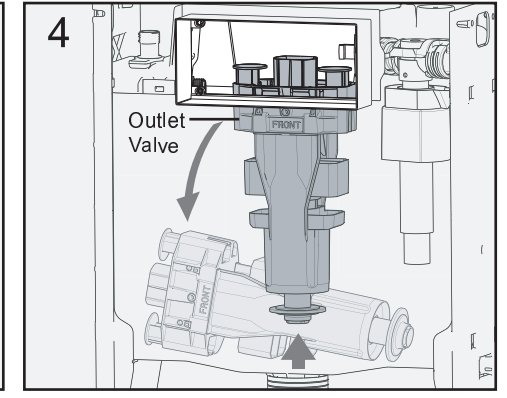
Removing Internal Components through Access Window



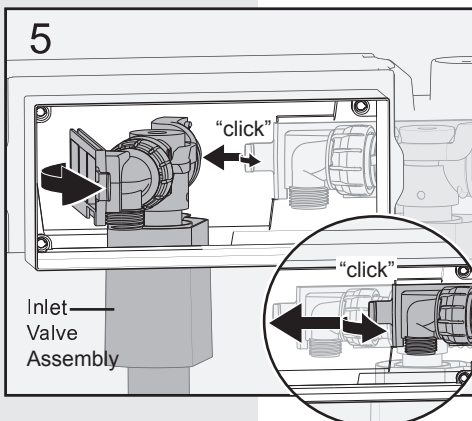
Disconnect Flexible Hose from the Inlet Valve and the Ball Valve.



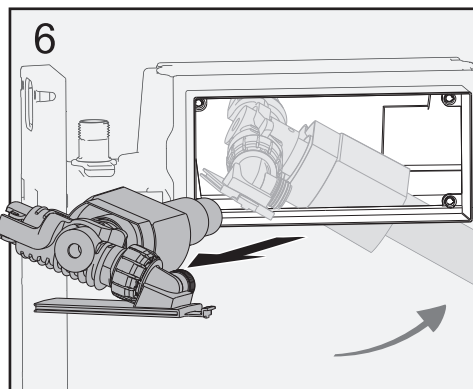
Remove the Bridge Assembly by squeezing tabs front and back to disengage from locking tabs inside the tank.



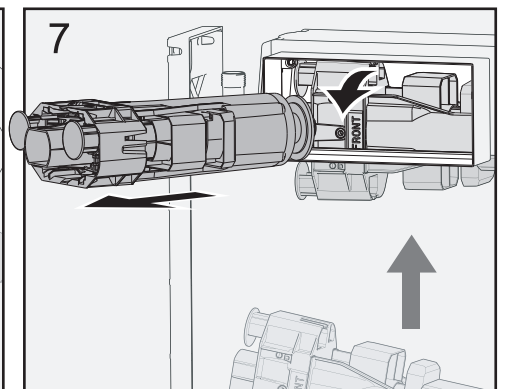
Lift the Outlet Valve to disengage from guide ribs in the base of the tank and lay over on its side.



Lift tab and slide the Inlet Valve Bracket to the left.



Rotate and remove the Inlet Valve.



Lift the Outlet Valve from the base of the tank, roll forwards and rotate so the button end comes out first.

NOTE: Reverse procedure to reassemble.

Servicing Requirements

- Servicing is only required in instances where outlet valve operation is found to be faulty.

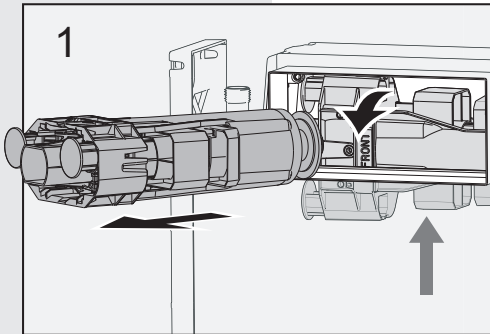
Troubleshooting Guide

- If Outlet Valve leaks ► Inspect seal for damage and replace if necessary.
- If short flushing ► Check pneumatic tubes are pushed into the bridge and buttons
- If any other issues arise ► Consult a plumber or Caroma After Sales Service.

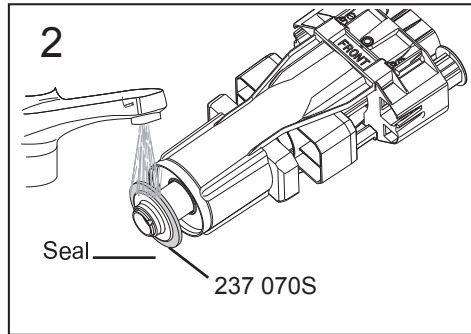
Spare Parts Information

- Caroma Invisi II Outlet Valve compatible Spare Part Kits are:
 - 237 072** Containing - **1 x Complete 4.8/3L Replacement Outlet Valve**
 - 237 070** Containing - **Diaphragm Seal (10 Pack)**
 - 237 070S** for Single Diaphragm Seal
- Refer to **Maintenance & Spare Parts Instructions**

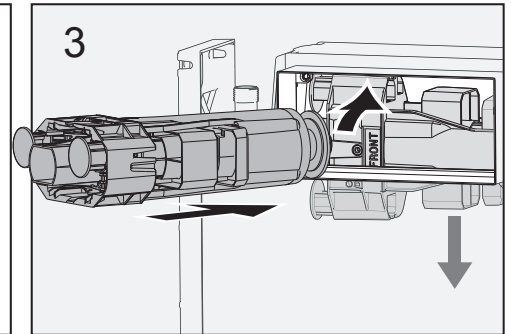
Maintenance & Spare Parts Instructions



1
Ensure water is turned off and remove Outlet Valve from tank as per the instructions on page 13.



2
Wash seal to remove any dirt and inspect for damage. If necessary remove seal and replace (Spare Part Kit 237 070).



3
Re-assemble complete Outlet Valve and refit into tank. Turn water back on, wait for tank to fill and test both buttons to ensure they activate the outlet valve.

Servicing Requirements

- Inlet Valve Seal may require periodic cleaning (dependant on water quality). Procedure as defined below.

Troubleshooting Guide

- Inlet Valve is slow to fill OR fails to open ► Ensure tap is open.
- Inlet Valve fails to close ► Clean & inspect seal as described above, replace Cap Assembly & Seal if damaged.
- If any other issues arise ► Consult a plumber or Caroma After Sales Service.

Spare Parts Information

- Caroma Invisi II Inlet Valve compatible Spare Part Kits are:

687 171 Containing - **1 x Complete Unifill Inlet Valve**
- with bayonet connection

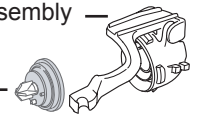
687 049 Containing - **1 x Cap Assembly**
- **1 x Seal with Lever**

687 040D Containing - **Seal only**

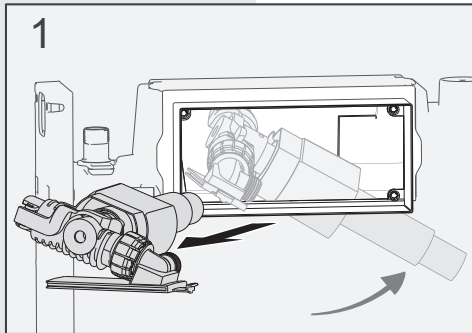
Refer to **Maintenance & Spare Parts Instructions**

687 049
Cap Assembly —

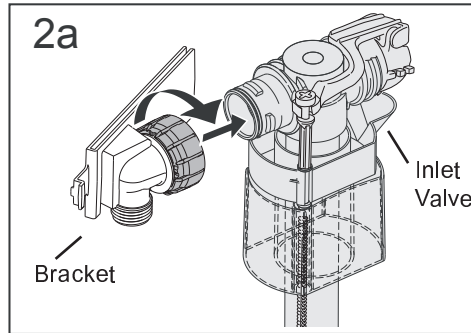
687 040D —
Seal



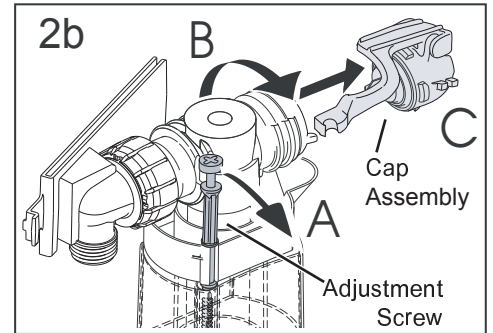
Maintenance & Spare Parts Instructions



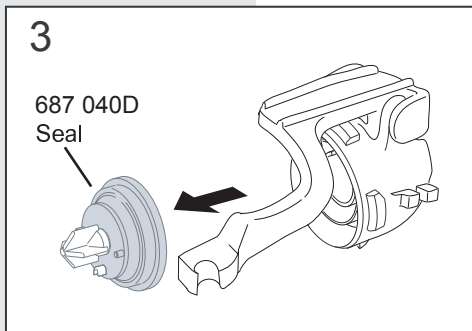
1
Ensure water is turned off and remove Inlet Valve from tank as per the instructions on page 13.



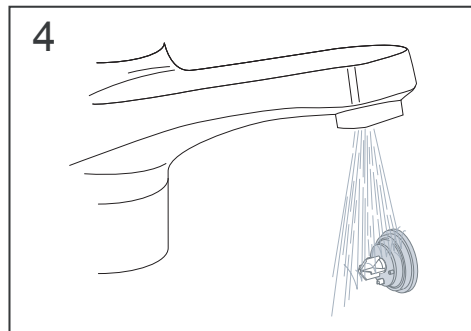
2a
To replace complete Inlet Valve:
Rotate nut clockwise & pull to disconnect it from the Bracket.



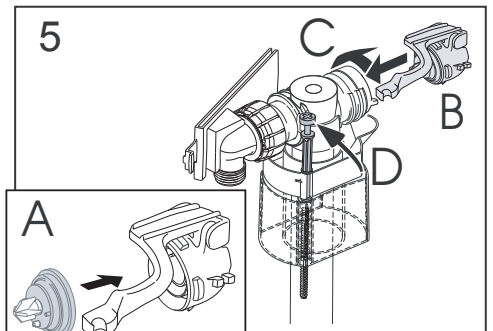
2b
To clean and inspect seal:
Unclip the Adjustment Screw, rotate clockwise & pull to remove cap assembly.



3
Remove seal from Cap Assembly.



4
Wash seal to remove any dirt and inspect for damage.



5
Replace seal onto cap assembly. If necessary replace cap & Seal (Spare Part Kit 687 049). Push & rotate counter-clockwise to re-attach cap assembly, re-clip Adjustment Screw and re-fit into tank.

Important Notices

Recommended Water Supply Pressure

Water Supply pressure minimum 4.35psi/30 kPa -
Maximum 145psi/1000 kPa

Helplines

Under license from Caroma Industries Limited, Australia
Manufactured by SSI Sustainable Solutions International.
Los Angeles, CA + Vancouver, BC

www.caromausa.com

www.sustainablesolutions.com

1-800-460-7019