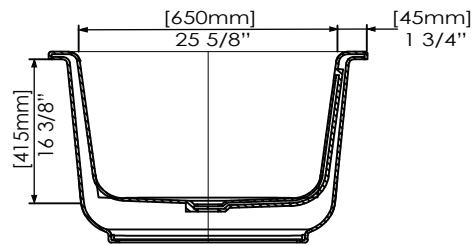
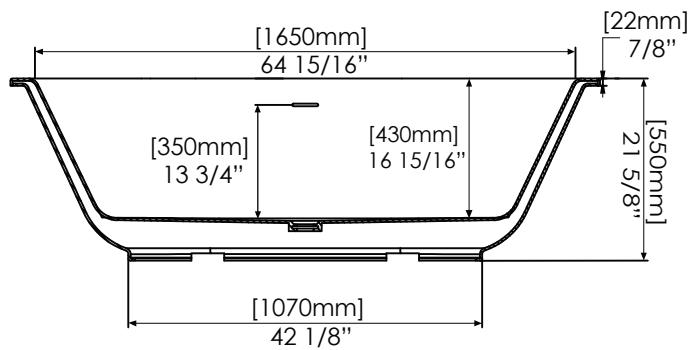
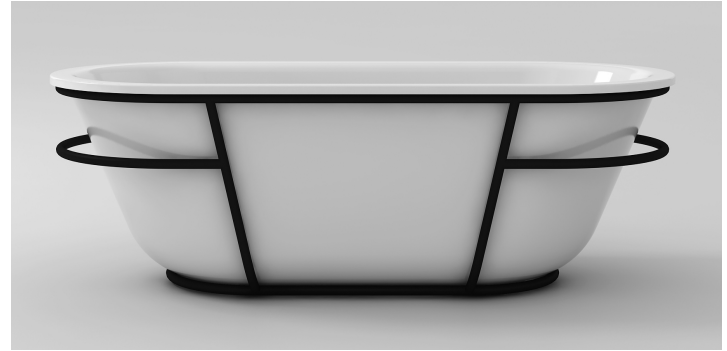
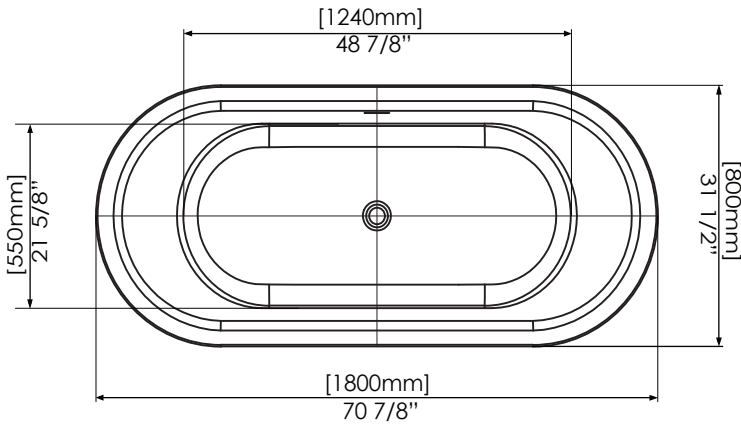


Bain Signature

7300 Rue Sherbrooke O,
Montréal, QC H4B 1R7
www.bainsignature.com

PEARL

Freestanding bathtub
Baignoire autoportante



* Dimensions may vary +/- 1/4" (6mm) / Les dimensions peuvent varier de +/- 1/4" (6mm)

gallons to overflow / gallon au trop plein	66 gal.
packaging dimension d'emballage	73 x 33 1/2 x 23 5/8 "
approximated weight / Poids approximatif	115 lbs
weight with water / poids rempli d'eau	665.5 lbs
bathing well at sump / dimension interieur au rebord	48 7/8 x 21 5/8 "
bathing well at rim / dimension au bord du bain	65 x 25 5/8 "

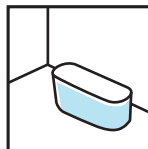


Compliance Certifications:

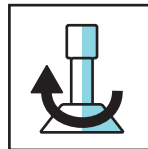
Uniform Plumbing Code
National Plumbing Code of Canada
CSA B45.5-17/IAPMO Z124-2017



Pure acrylic construction reinforced by fiberglass
Construction en acrylique renforcée de fibre de verre



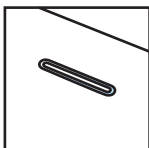
Freestanding installation
Installation autoportante



Adjustable feet
Pattes ajustables



Chrome drain included
Drain chrome inclus



Integrated chrome linear overflow
Trop plein linéaire chrome intégré



CUPC certified
Certifié CUPC