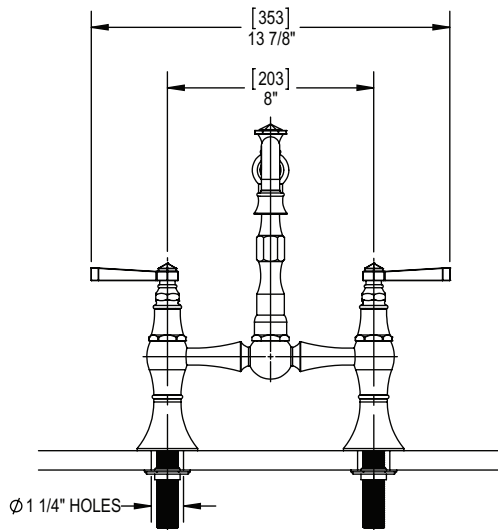
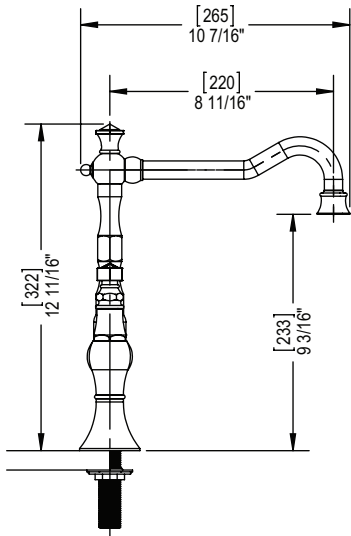


FEATURES:

- Brass construction with choice of 21 finishes
- Two Lever or Cross handles, Swivel spout
- Quarter-turn, ceramic disc cartridges
- Flexible Stainless Steel supply hoses for easy installation
- 1.5 gpm @ 60 psi (Helps meet CalGreen regulation)

APPROVAL:

- AB1953 / NSF61
- ASME A 112.18.1
- CSA B125.1

**CONTACT US:**

If you need assistance with installation, replacement parts or have any questions regarding your Rubinet product, please call a Customer Service representative at: 905-851-6781 toll free 1-800-461-5901 or visit www.rubinet.com

150506

THE **Rubinet** FAUCET COMPANY**ASSEMBLY INSTRUCTION****8VHXL or C**

KITCHEN BRIDGE FAUCET

**8VHXL****8VHXC****REMOVAL OF FAUCET:**

Always turn the water supply off before removing the existing faucet or disassembling a valve. Open both faucet handles to relieve water pressure and to ensure that the water has been successfully turned off.

CARE OF FAUCET:

The use of warm water and a soft cloth is all that is required to clean Rubinet products. The patina of our living finishes (Oil Rubbed Bronze & Tuscan Brass) will change as a result of normal use. Applying Mineral Oil on occasion will create a softer look, subtle color changes and character.

