

# CaBano

## #30311

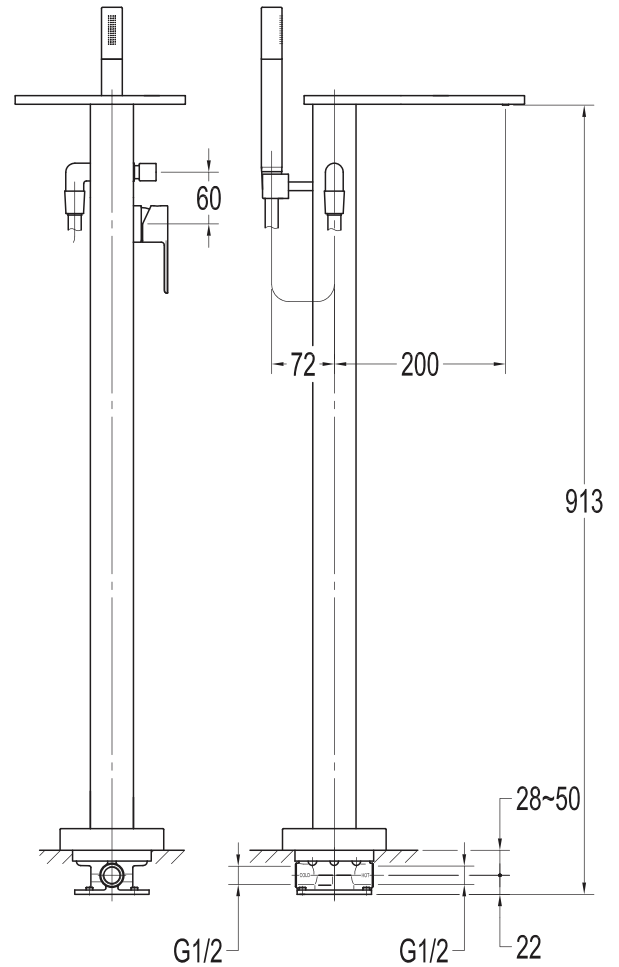
Floor mount tub filler with hand shower

### INSTALLATION GUIDE



Last revision: November 13th

### III. Installation Diagram



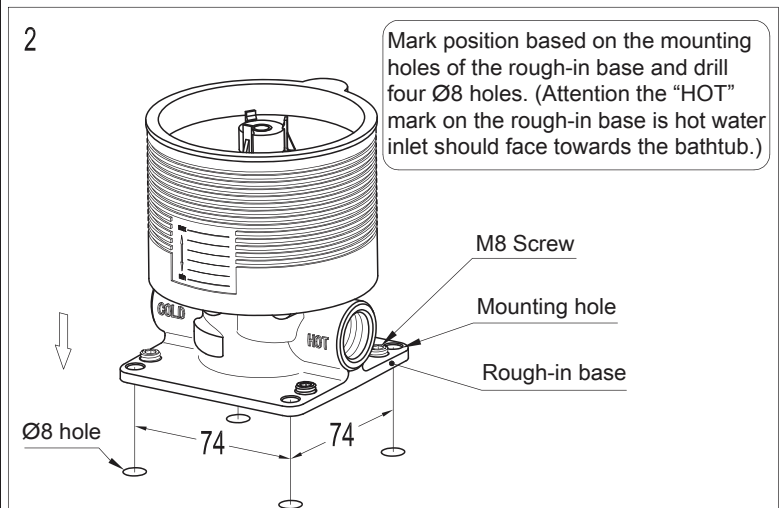
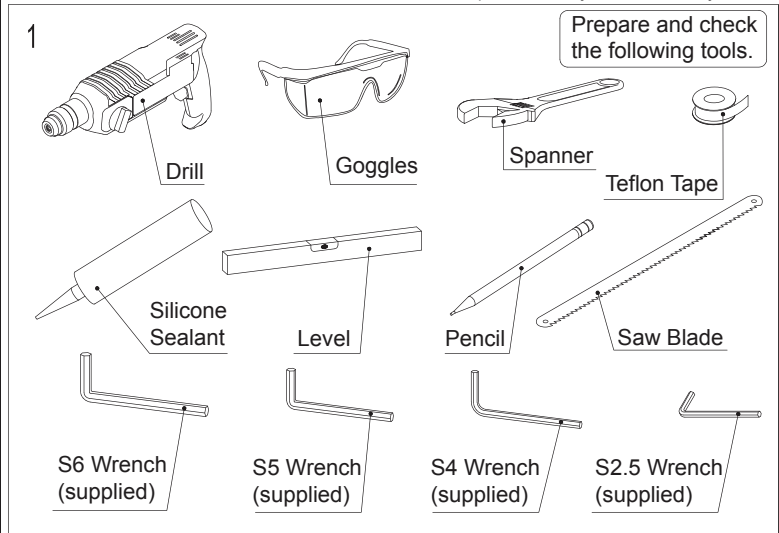
### I. Installation Notice

1. Install water pipes in accordance with this manual.
2. Floor drain should be installed in the location of the faucet.
3. Rough-in box should be installed before ground construction. The associated mixer should be installed after the ground construction. The rough-in box on the inlet base shall not be cut or removed, and shall be protected to avoid damage to each rough-in box and inlet base during construction.
4. Clean pipes before installation to get rid of mud, sand or other debris.
5. If the thread of pipes don't match well with product, please find out the reason first, otherwise a forced connection will damage the faucet.
6. After installation, check all the joints to ensure they are firmly connected. Then keep water flow. Turn on and off repeatedly to ensure there is no leakage around the joints. At this stage, the product is ready for normal use.
7. Keep the manual to the user.

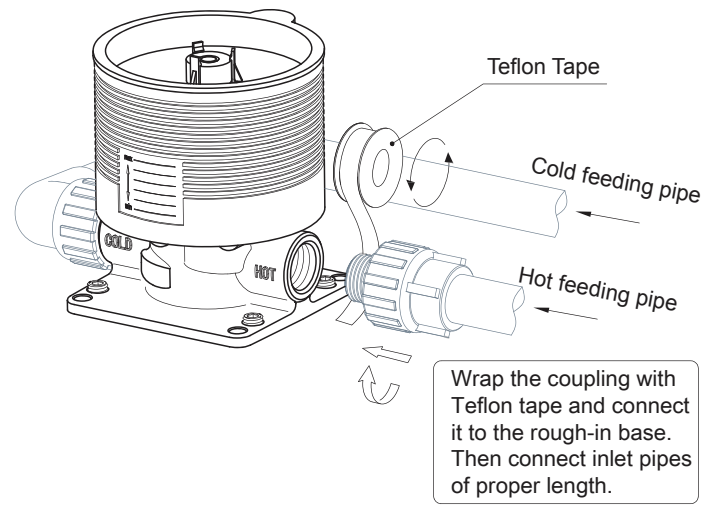
### II. Operation Notice

1. The working condition of this product is water pressure 0.05~1.0MPa, water temperature 4~90°C.
2. Do not hang heavy things on the faucet.
3. Make sure the faucet is off when no water comes out of it, especially when nobody resides in or during the period of decoration or suspend of water.
4. Regularly clean the surface of faucet to keep it bright. Attention: do not use inappropriate tools such as sharp brushes, rough sponges, scouring pads or corrosive detergent to clean the faucet. It is not recommended to use the detergent sold in the market, because its formula changes frequently. Please clean the faucet by a wet cotton cloth with soapy water, then rinse and dry with a soft cotton cloth after each time of usage.
5. When the room temperature drops to below 0°C, take necessary measures (such as keeping faucet warm and closing windows) to prevent the faucet from being frozen or even broken (especially when windows kept open for air ventilation while nobody resides in).
6. Please open the cold and hot water in turn and adjust to comfortable temperature before use to avoid scald.
7. Do not disassemble the product without the help from the professionals..

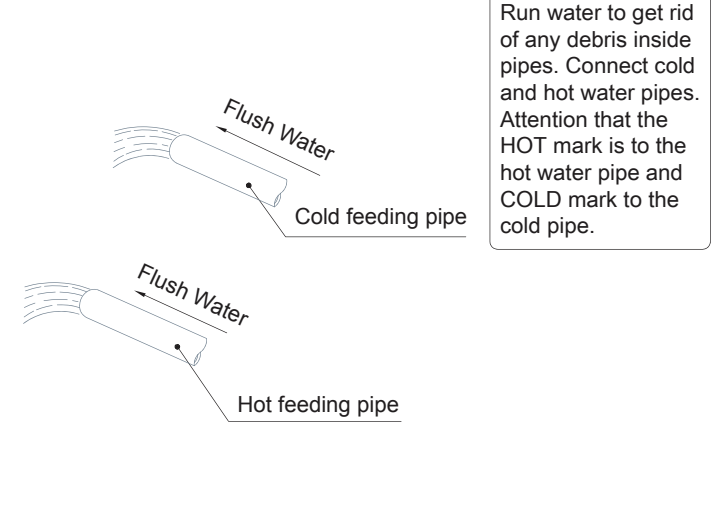
### IV. Installation Steps (Fig.1-19) : \*The installation diagram is only for reference. The product is subject to the real object.



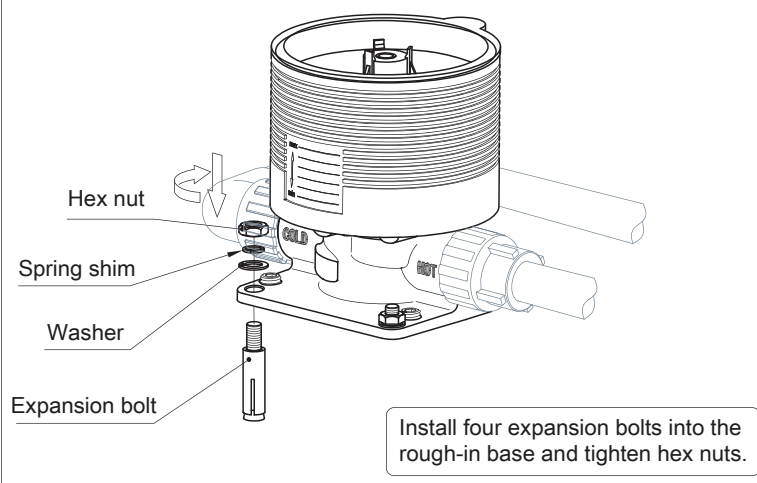
3



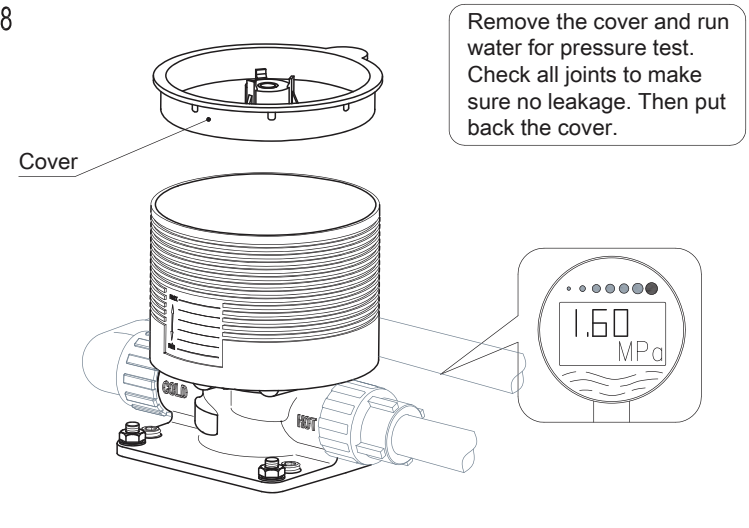
7



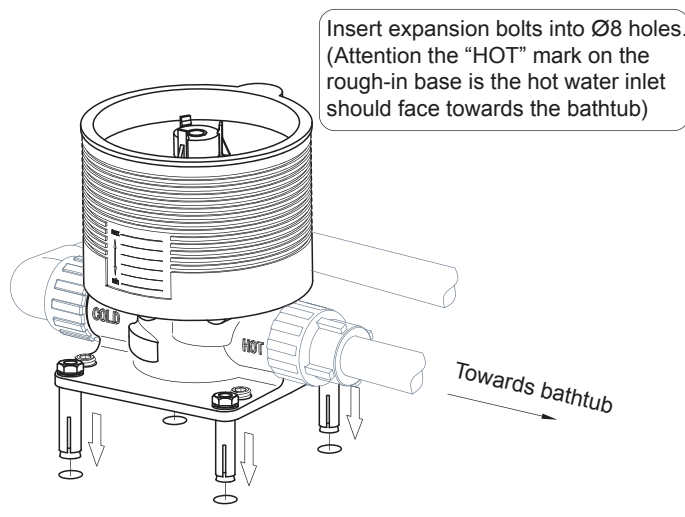
4



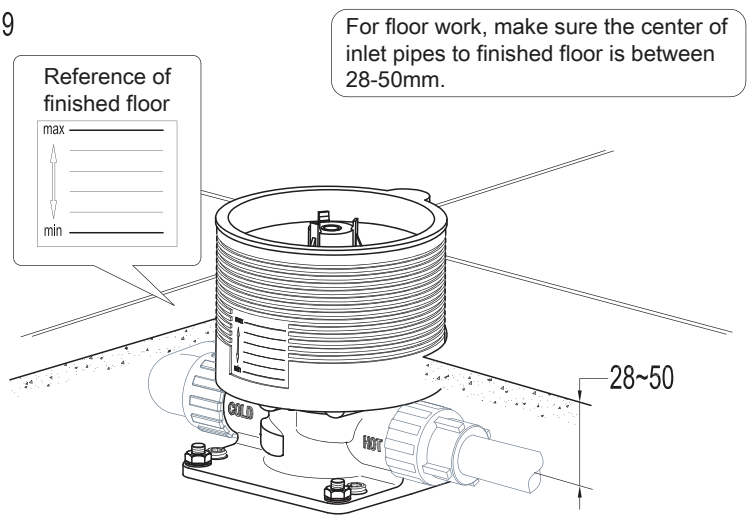
8



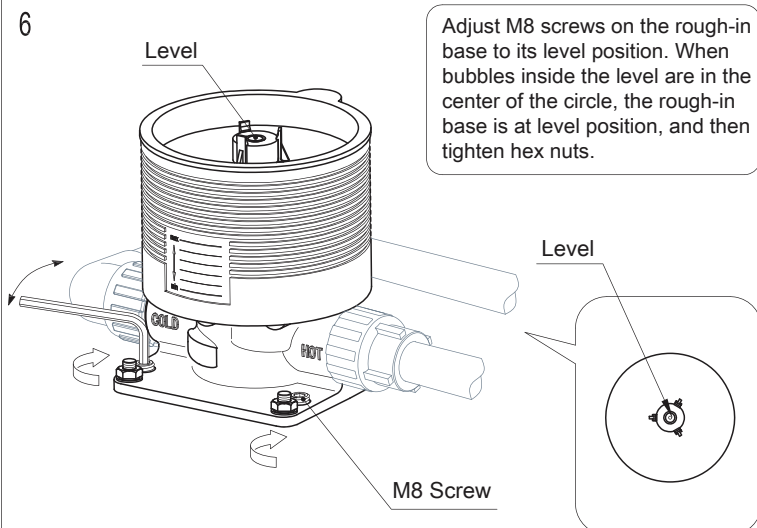
5



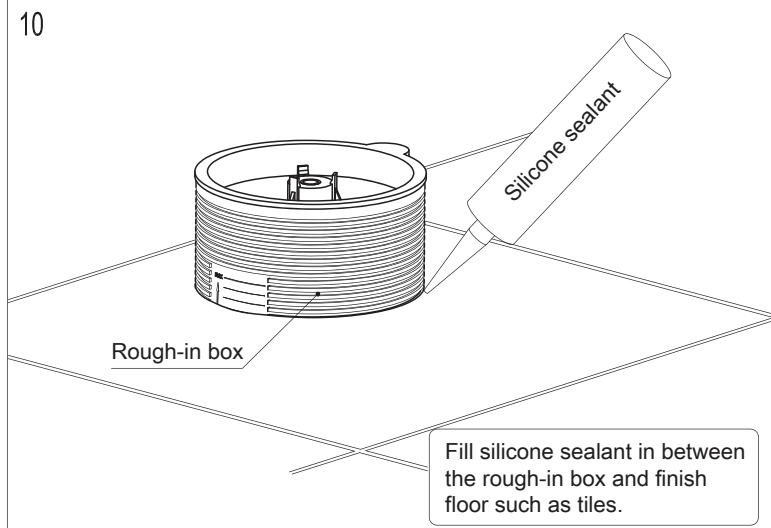
9



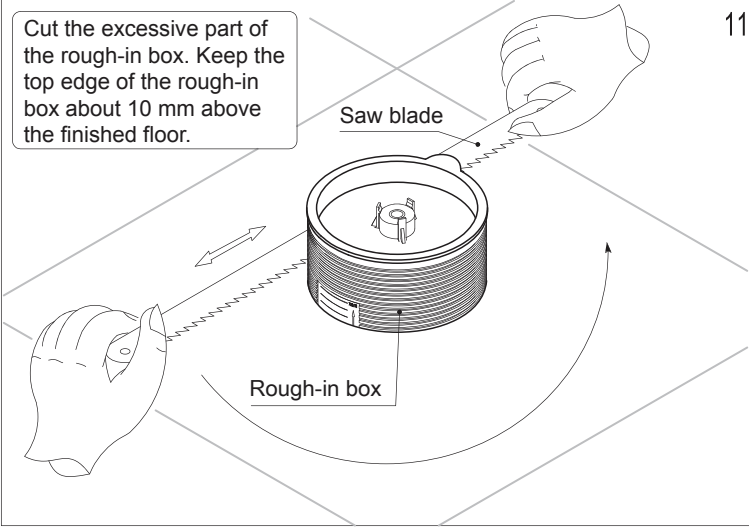
6



10



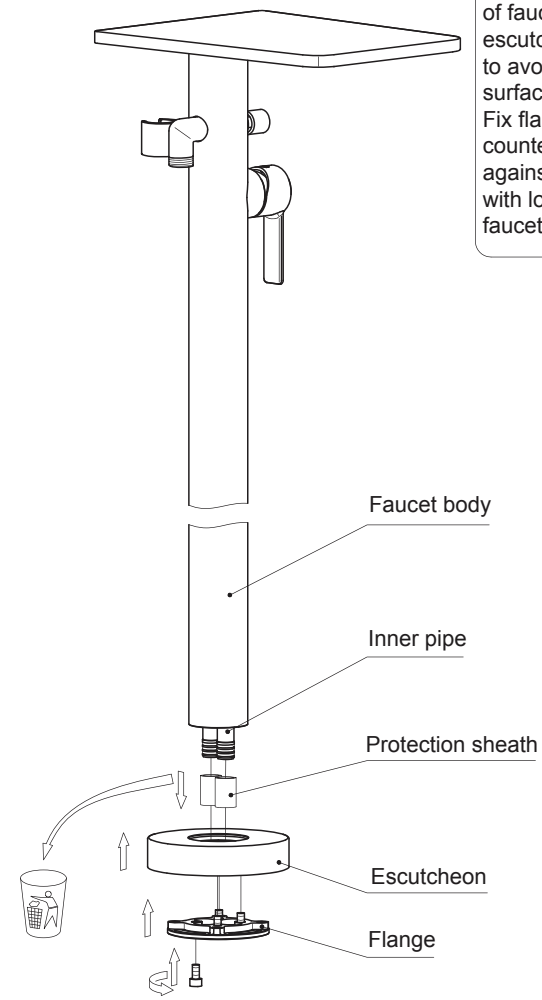
Cut the excessive part of the rough-in box. Keep the top edge of the rough-in box about 10 mm above the finished floor.



11

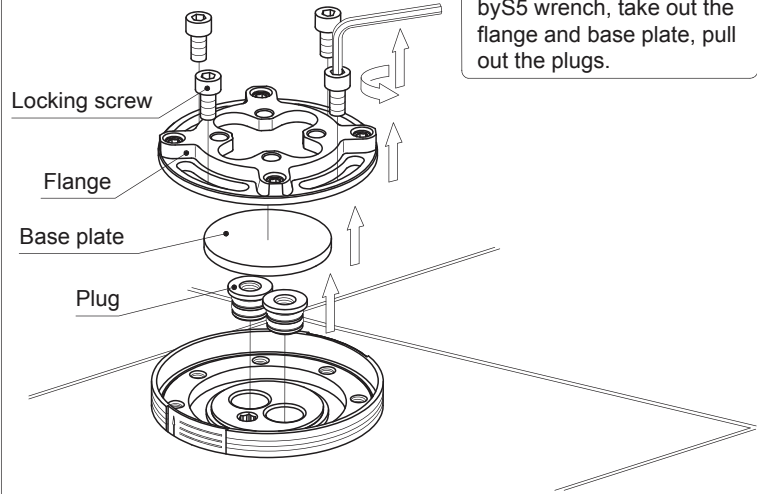
15

Take off protection sheath from inner pipe of faucet body, put on escutcheon carefully to avoid scratch to the surface of faucet body. Fix flange (the side with counter bore back against faucet body) with locking screws to faucet body firmly.



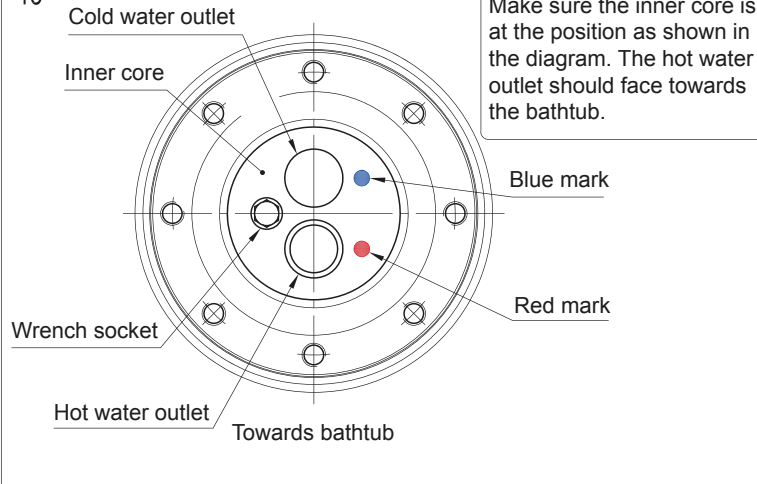
12

Remove the locking screws by S5 wrench, take out the flange and base plate, pull out the plugs.



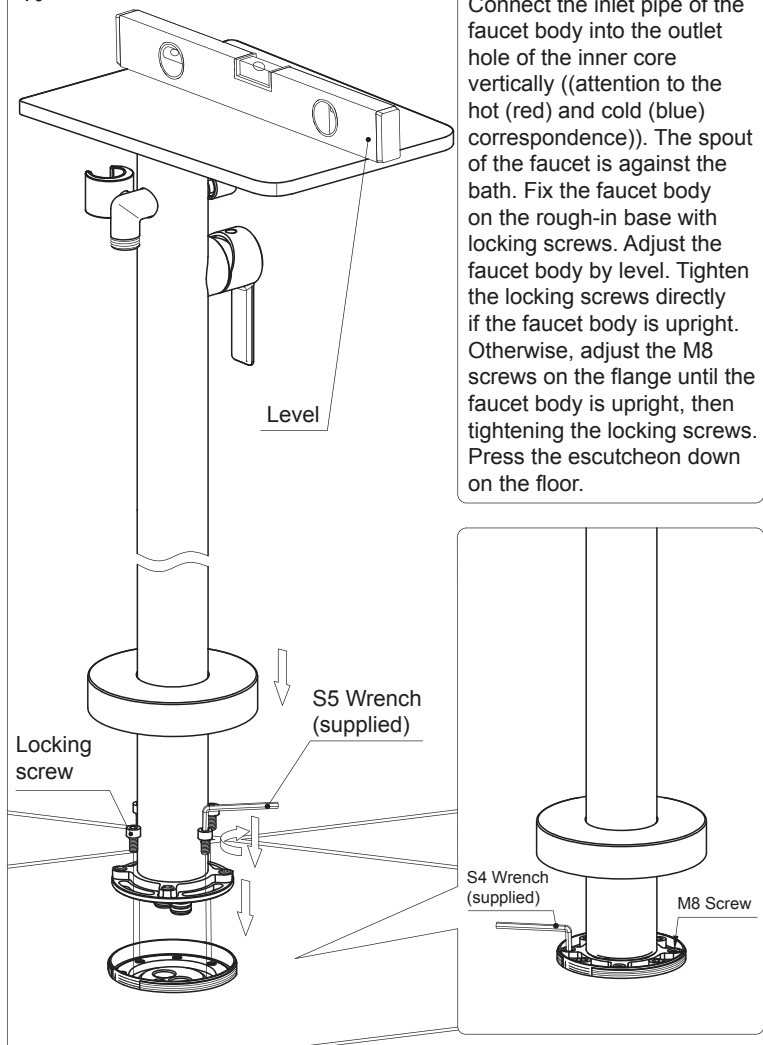
13

Make sure the inner core is at the position as shown in the diagram. The hot water outlet should face towards the bathtub.



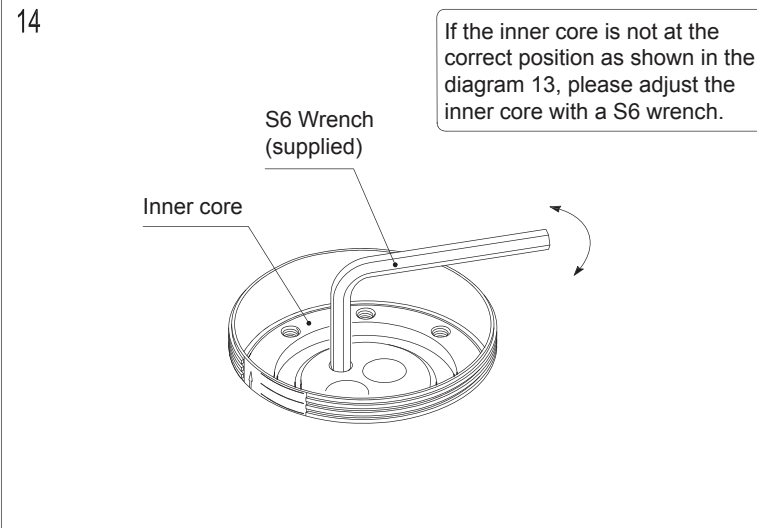
16

Connect the inlet pipe of the faucet body into the outlet hole of the inner core vertically ((attention to the hot (red) and cold (blue) correspondence)). The spout of the faucet is against the bath. Fix the faucet body on the rough-in base with locking screws. Adjust the faucet body by level. Tighten the locking screws directly if the faucet body is upright. Otherwise, adjust the M8 screws on the flange until the faucet body is upright, then tightening the locking screws. Press the escutcheon down on the floor.



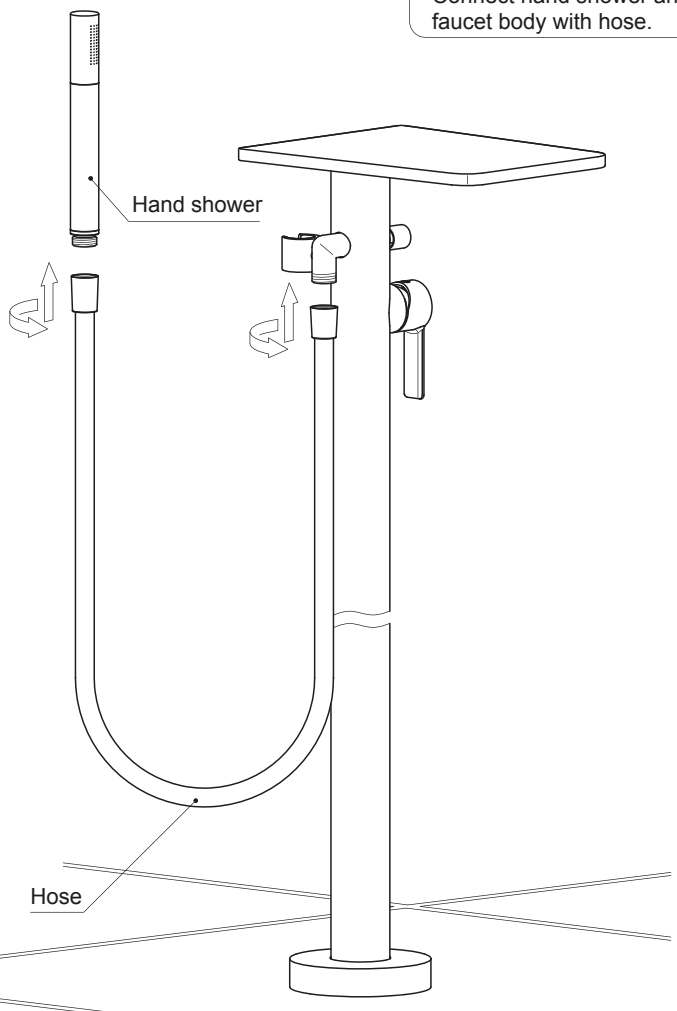
14

If the inner core is not at the correct position as shown in the diagram 13, please adjust the inner core with a S6 wrench.

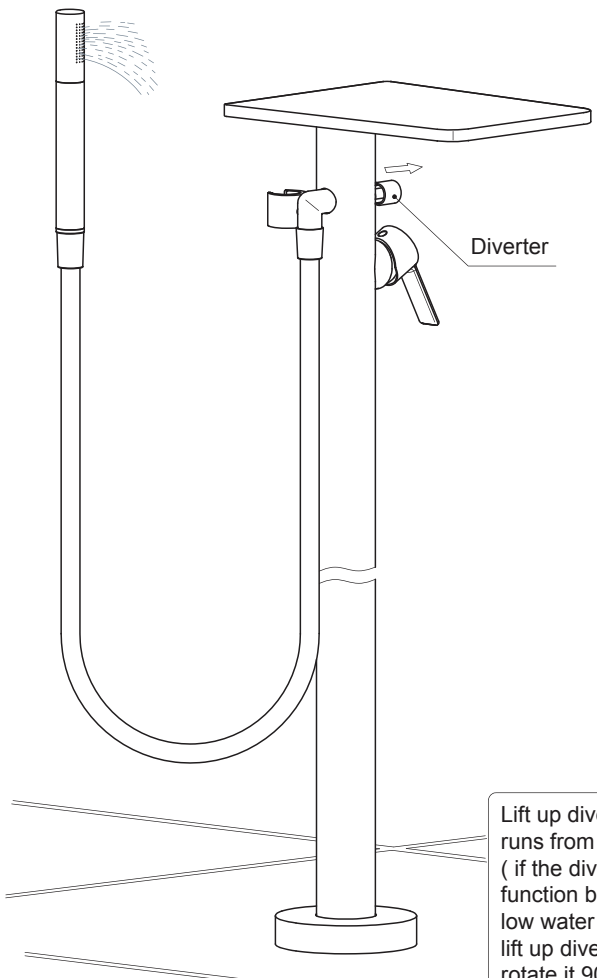


17

Connect hand shower and faucet body with hose.



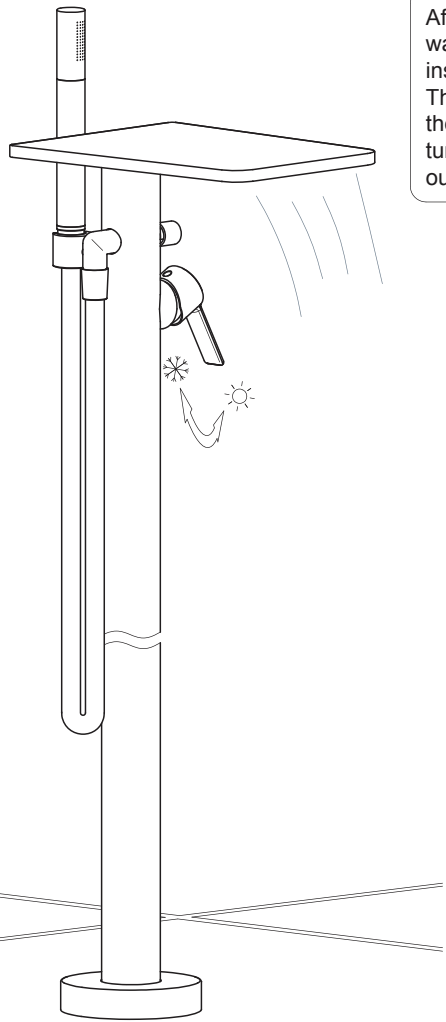
19



Lift up diverter, water runs from hand shower ( if the diverter lose function because of low water pressure, lift up diverter and rotate it 90° in any direction).

18

After installation, flush water to check if the installation is proper. The diagram shows the product when it is turned on, the default outlet is spout.



**V. Maintenance(Fig.20):**

If the hot and cold feeding pipe is found to be connected in reverse after installation, use S6 wrench to turn the inner core 180° to make the cold and hot water reverse connection (Unload the faucet body first).

