

# CaBano

## #28108D

Widespread basin faucet

### INSTALLATION GUIDE



Last revision: October 23rd

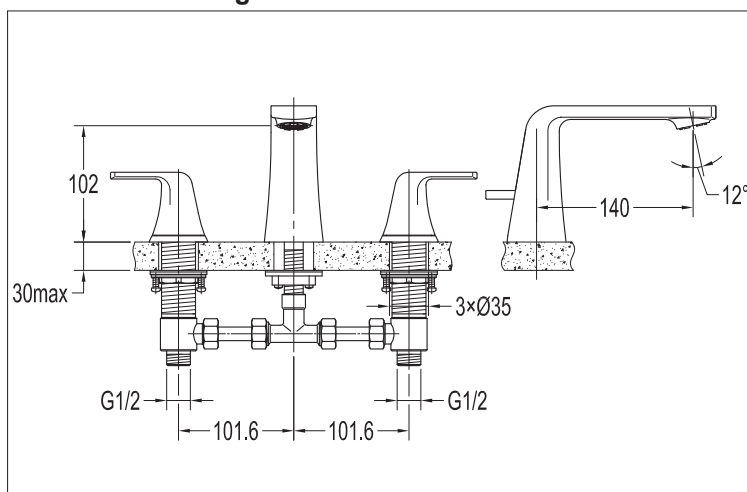
### I. Installation Notice

1. Please lay water pipes in accordance with this manual.
2. Floor drain should be installed on the site.
3. The product should be installed only after the completion of house interior decoration in case the paint or other chemicals erode the mixer surface.
4. Clean pipes to get rid of mud, sand or other debris blocked in pipes before installation.
5. Check whether the threads can be matched. Otherwise, installing forcefully will damage the components.
6. After installation, check all the joints to make sure they are firmly connected. Run the water. Turn on and off repeatedly to ensure no leaking problem. After that, the product is ready for normal use.
7. Hand the manual to users.

### II. Operation Notice

1. The product is used under water pressure 0.05~1.0 MPa, water temperature 4~90°C.
2. Do not hang heavy things on the product.
3. Remember to turn off the mixer if no water comes out of it (Especially when nobody in the house or during the decoration period).
4. Clean the surface of the product regularly to keep it glossy. Note: Please do not use inappropriate tools such as sharp brushes, rough sponges, scouring pads or corrosive detergent. And it is not recommend to use the detergent sold in the market, because its formula changes frequently. Please clean the product with wet cloth and soapy water after usage. Then rinse the soap off with clean water and dry with a soft cotton cloth.
5. When indoor temperature drops below 0°C, take necessary measures (Keep the product warm, close windows) to prevent the product from frost cracking (Especially when windows open for air ventilation while nobody in the house).
6. When in use, open cold water first, then hot water; adjust the appropriate temperature before use to avoid scald.
7. Do not disassemble the product without help from the professionals.

### III. Installation Diagram

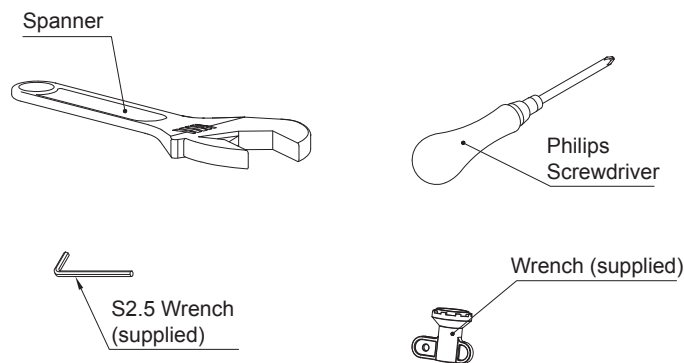


### IV. Installation Steps (Fig.1-9) : \*

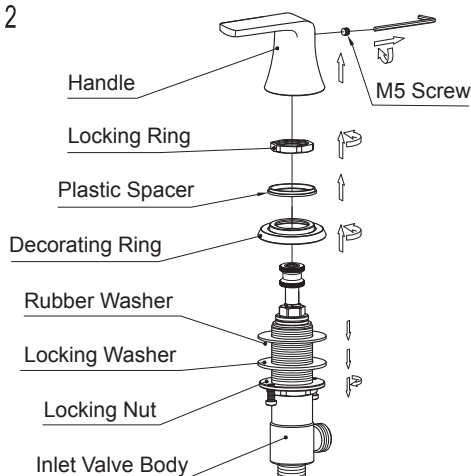
The installation diagram is only for reference. The product is subject to the real object.

1

Prepare and check the following tools.

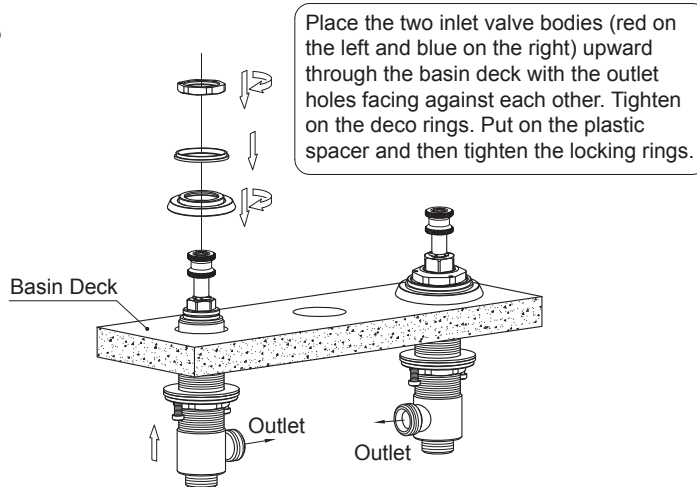


2

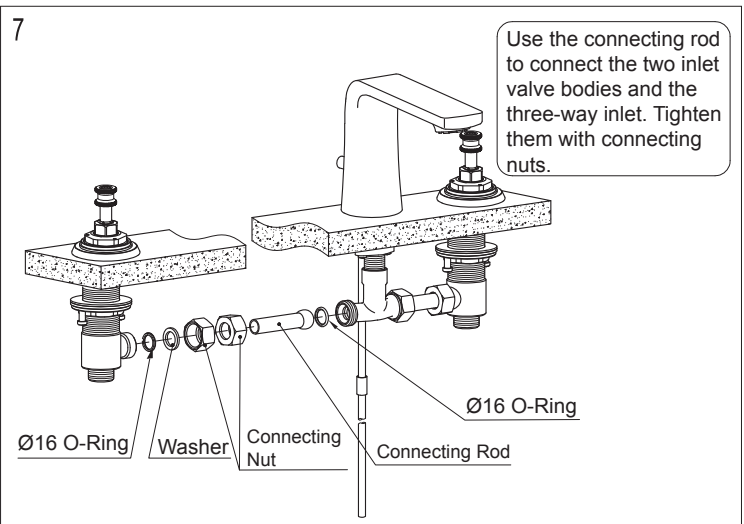
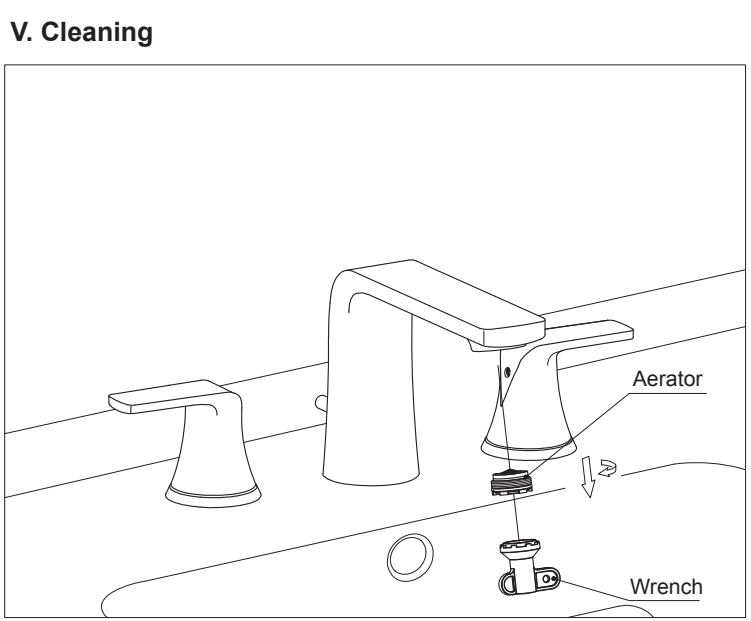
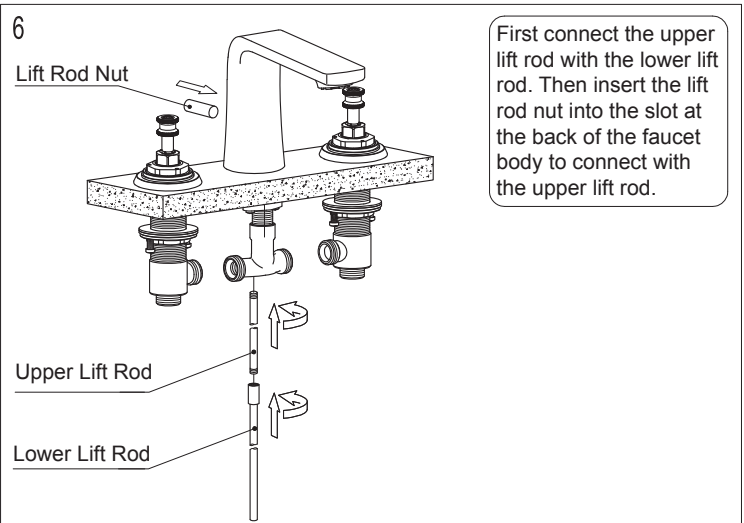
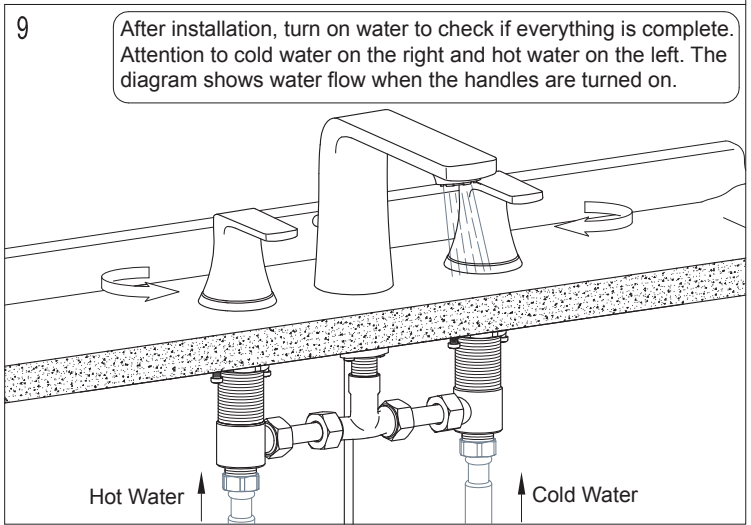
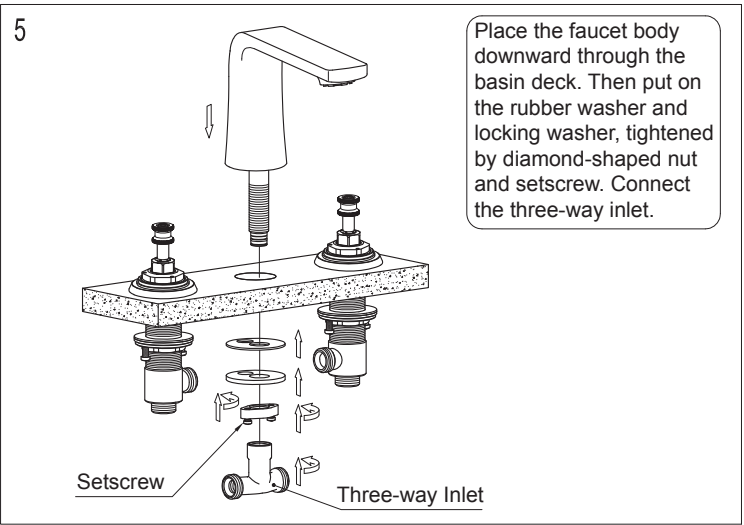
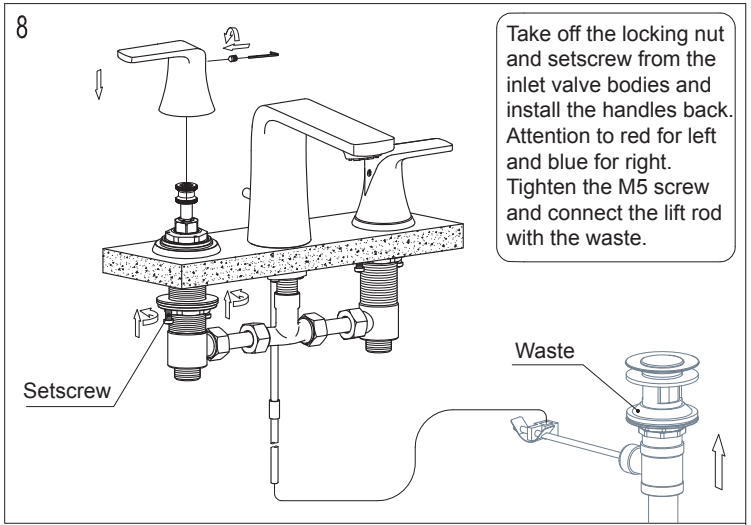
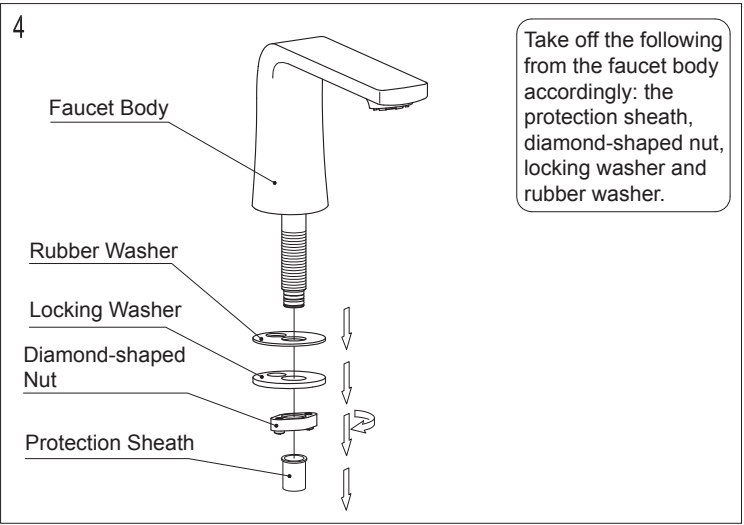


Loosen the M5 screw first. Take off from the inlet valve bodies the following one by one: handle, locking washer, plastic spacer and decorating ring. Screw off the locking nuts to the bottom.

3



Place the two inlet valve bodies (red on the left and blue on the right) upward through the basin deck with the outlet holes facing against each other. Tighten on the deco rings. Put on the plastic spacer and then tighten the locking rings.



After a period of usage, if the volume lessens, it might be due to debris from bad quality water blocking the aerator. Use a wrench to take off the aerator and clean its filter with clean water. Then install it back.