

Romy 59 with faucet deck type B

Series : **Authentik Signature**

Nominal dimensions: **59" x 31" x 27" [149.9 cm x 78.7 cm x 68.6 cm]**

Seats : **1**

Product code: **RO59DMFB**

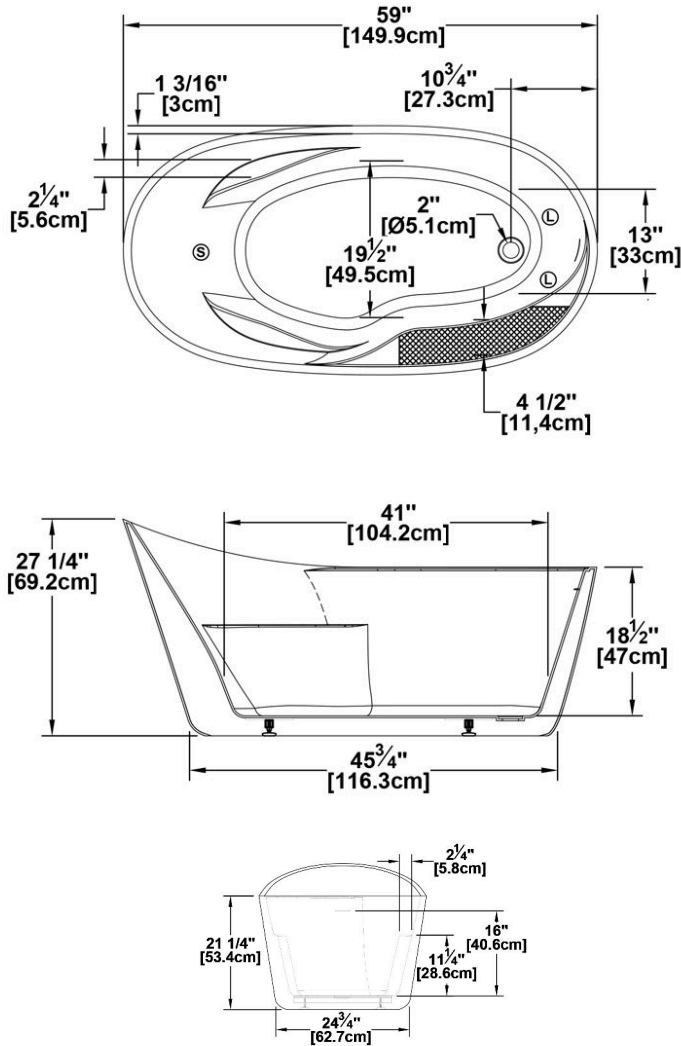
Draft revision : **2024011213514**

Lumbar support : no

Arm rests : yes

Low-profile available : no

Draft and specs



Specifications

Capacity: **46 IMP Gal. / 59.9 US Gal. / 209.1 liters**
 AeroMassage™: **40 Easy Clean™** air jets
 Super AeroMassage™: **unavailable**
 Comfort Air™: **unavailable**
 Characteristics: **One-piece freestanding bath**

Remarks

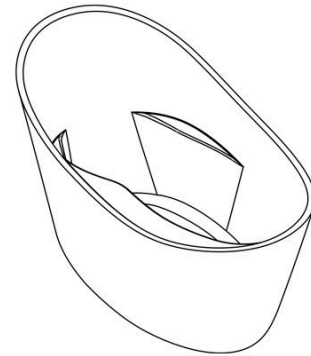
All measures have a precision of ± 1/4" (0,63cm)
 If a measure is present on one side only, part is symmetrical
 *internal dimensions taken at 4" (10cm) from bath bottom
 *capacity is measured by filling the bath to 1-1/2" under the overflow

Available models

- Soaker
- Comfort Air™
- AeroMassage™
- Super AeroMassage™

Available recommended options

- Front skirt:
- Recommended drain: Incl. INF101 (White finish)
- Tile flanges: unavailable
- Floating remote control: included if ordered with system
- Linear overflow: Integrated



Additional(s) note(s)

The overflow is factory installed, the drain is included but not installed. When ordered with AeroMassage, blower must be remote mounted.

Legend

- S** Blower
- L** Chromotherapy light
- P2** Grab bar
- C** Keypad



Recommended faucets drilling location*

Deck cut-out line - - - - -

**It is possible to install the faucets elsewhere on the product. The installer must verify that there are no piping or wires before drilling.*

IMPORTANT NOTE: Specifications, dimensions and models are subject to change.

Visit our website <http://www.oceania-attitude.com> to access up-to-date dimensions and information. In all cases, information on the website is the most up-to-date.

Head office

591, avenue des Entreprises
 Theftord Mines, Quebec
 CANADA G6H 4B2

Contact numbers

Phone : 1-877-332-4224
 Fax : 1-866-460-4334

Internet

Web : <http://www.oceania-attitude.com>
 Email : info@bainsoceania.com