

30cm Domino Gas Wok Cooktop

Code EMJG30WSX Stainless Steel



THE euro MILAN DOMINO WOK COOKTOP

Will allow you to cook with a high megajule rated burner, ideally suited for stir fry's, searing meats, fish, vegetables along with fast boiling of liquids. The cast iron wok support enables you to use various cook ware.

FEATURES

- High power triple ring wok burner
- Flame failure safety device
- Front control knob
- 1 touch electric ignition
- Non-slip cast iron trivet
- Wok support trivet included
- Natural gas or LPG (jets included)
- Easy clean one-piece cooktop
- Made in Italy

FLAME FAILURE SAFETY DEVICE

The flame failure device is a safety mechanism which ensures the gas is automatically turned off in the case of the flame extinguishing

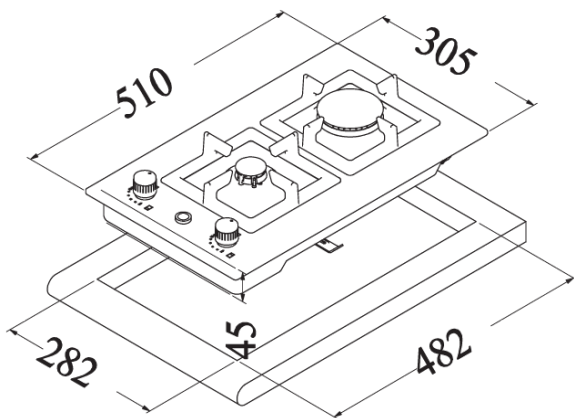
ONE TOUCH ELECTRONIC IGNITION

This gas cooktop uses a one-touch electronic ignition system. Simply push down the knob and turn and the flame will ignite automatically.

CAST IRON TRIVETS

Non-slip, cast iron trivets are standard with this cook top and removable for easy cleaning.

PRODUCT DIMENSIONS



ELECTRICAL REQUIREMENTS:

Cooktop is supplied with 10 AMP plug & cord.

GAS RATED PRESSURE:

LPG GAS: 2.75 kPa
NATURAL GAS: 1.00 kPa

NATURAL GAS BURNERS:

WOK BURNER: 17.0 MJ/h

WEIGHT:

5.5kg (gross)

INSTALLATION:

Please refer qualified installer to our product instruction manual.

