



**euro**  
*appliances*

refrigeration

USE AND  
CARE GUIDE

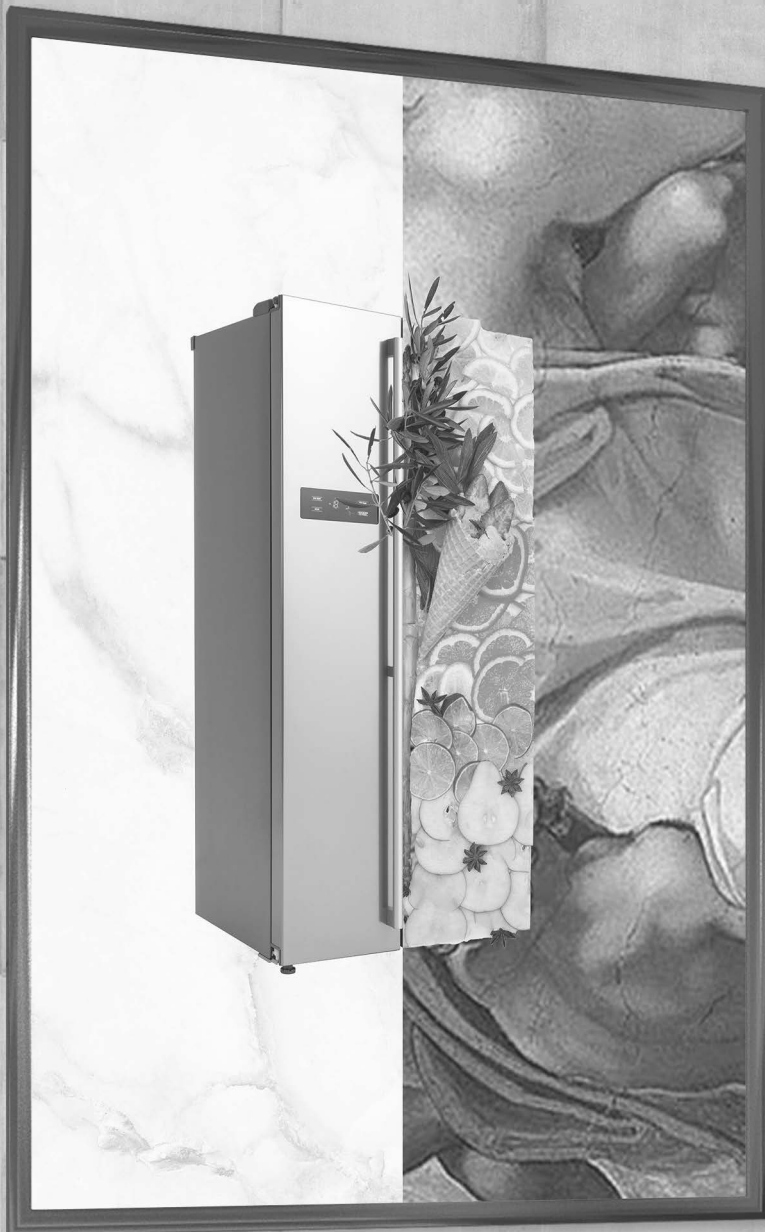
**MODEL NO.**

EA60WFSX2L

EA60WFSX2R

EA60WFBL

EA60WFBR



EMBRACE EUROPEAN QUALITY+PASSION  
[www.euroappliances.com.au](http://www.euroappliances.com.au)

## Warning

*The information in this document is subject to modification without any prior notice.*

*This beverage cooler is an outdoor appliance. This appliance is intended for household use only. It is designed to be used in sheltered areas only and must not be exposed to the elements. It can be installed in an alfresco area in accordance with the following:*

- Unit must not be exposed to direct sunlight, rain, moisture or dust.
- Do not install in a location where winds may blow water or dust on to the beverage cooler.
- The appliance must not be operated or left out in the weather.
- Do not expose the outdoor appliance to rain or wet conditions.

*This beverage cooler should only be use for the storage of beverages. It must not be used to store food.*

Euro Appliances offers no guarantee for our beverage cooler if it is being used for any purpose other than that for which it was specially designed. Euro Appliances is not responsible or liable for any spoilage or damage to beverages or any other contents incidental or consequential to possible defects of the beverage cooler. Warranty applies to the beverage cooler only and not to the contents of the beverage cooler.

This appliance is not intended for use by persons (including children) with reduced physical, sensory or mental capabilities, or lack of experience and knowledge, unless they have been given supervision or instruction concerning use of the appliance by a person responsible for their safety.

Children should be supervised to ensure they do not play with the appliance.  
Children should be supervised to ensure they do not play with the appliance.

Allow 24 hours before switching on the beverage cooler. During this time we recommend that you leave the door open to clear any residual odours.

The appliance is intended to be used in household and similar applications such as:

- Staff kitchen areas in shops, offices and other working environments;
- Farm houses and by clients in hotels, motels and other residential type environments;
- Bed and breakfast type environments;
- Catering and similar non-retail applications.

**Before loading & plugging in the beverage cooler, we recommend that the location you select for your beverage cooler should:**

- Be unencumbered and well ventilated;
- Be well away from any heat source and direct sunlight or rain;
- Not be too damp (laundry, pantry, bathroom, garage and basement etc.);
- Have a flat, level and dry floor;
- Have a standard and reliable electricity supply (10A General purpose outlet properly earthed). It is not recommended to use a multi-socket or extension lead;
- Have a surge protector fitted to the electrical outlet.
- Away from microwave. Certain microwave ovens do not have wave interference shield. When placed within 1 meter of the beverage cooler, they may affect the operation of the beverage cooler. Always ensure the outdoor display fridge is kept at the correct settings for the required operation of the appliance.

The beverage cooler should be placed where the ambient temperature is between 2 °C to 40 °C. If the ambient temperature is above or below this range, the performance of the unit may be affected. Placing your unit in extreme cold or hot conditions may cause interior temperatures to fluctuate and the ideal range of temperature may not be reached.

WARNING: Keep ventilation openings, in the appliance enclosure or in the built-in structure, clear of obstruction.

WARNING: Do not use mechanical devices or other means to accelerate the defrosting process, other than those recommended by the manufacturer.

WARNING: Do not damage the refrigerant circuit.

WARNING: This product should not be disposed by the customers, please contact your local authorities and ask for the correct method of disposal. Incorrect disposal may expose the user to injury from sharp objects, flammable gases or cause environmental damage

#### **\*Grounding Instructions**

The beverage cooler must be grounded in case of an electrical short circuit. Grounding reduces the risk of electrical shock. The beverage cooler is equipped with a power cord having a grounding wire and plug. The beverage cooler plug must be plugged into properly installed and grounded electrical outlet. In locations where there is frequent lightning, it is advisable to use surge protectors.

Improper use of the grounding plug can result in the risk of electric shock. Consult a qualified electrician or service person if the grounding instructions are not completely understood.

If the supply cord is damaged, it must be replaced by the manufacturer, its service agent or similarly qualified persons in order to avoid a hazard.

### **\*Installing your beverage cooler**

Unpack and remove all of the protection and adhesive strips from the packaging around and inside the beverage cooler. *Important: Before connecting the unit to a power source, please let it stand upright for approximately 24 hours. This will reduce the possibility of a malfunction in the cooling system from handling during transportation.*

The beverage cooler must be positioned so that the plug is accessible. Release the power cord and move your beverage cooler to the selected location. The beverage cooler should be installed in a suitable place where the compressor will not be subject to physical contact.

Note: For freestanding installation, the beverage cooler requires 30mm gap on both sides as well as the rear. This allows the proper air circulation to cool the compressor and condenser. For built-in installation, the beverage cooler requires 10mm space on each side and at the top as well as 30mm space at the rear. The air vent at the front must never be covered or blocked in any way.

### **\*Levelling your beverage cooler**

Beverage cooler must be levelled before loading your beverages. Your beverage cooler is equipped with 4 adjustable feet to facilitate easy levelling.

## \*Products & Specifications

### EA60WFSX

<b>Type</b>	Stainless Steel Beverage Cooler
<b>Item Number</b>	EA60WFSX
<b>Bottle Capacity</b>	138L
<b>Dimension (W*D*H)</b>	600*500*840mm
<b>Weight</b>	44KG
<b>Refrigerant</b>	R600a/35g
<b>Cooling System</b>	Compressor Cooling
<b>Energy Consumption</b>	0.83kwh/24h
<b>Temperature Range</b>	0-10 °C
<b>Rated Voltage</b>	220 - 240V
<b>Rated Frequency</b>	50HZ
<b>Input Power</b>	182W

### EA900WFSX

<b>Type</b>	Stainless Steel Beverage Cooler
<b>Item Number</b>	EA900WFSX
<b>Bottle Capacity</b>	208L
<b>Dimension (W*D*H)</b>	900*500*840mm
<b>Weight</b>	54KG
<b>Refrigerant</b>	R600a/50g
<b>Cooling System</b>	Compressor Cooling
<b>Energy Consumption</b>	1.2kwh/24h
<b>Temperature Range</b>	0-10 °C
<b>Rated Voltage</b>	220 - 240V
<b>Rated Frequency</b>	50HZ
<b>Input Power</b>	215W

## **\*Operating your beverage cooler**

- 1) Turning on your beverage cooler. Plug in and switch on the beverage cooler by pressing on the power button for a few seconds. When you use the beverage cooler for the first time (or restart the beverage cooler it has been switched off for a long time), there will be a few degrees variance between the temperature you have selected and the one indicated on the LED readout. This is normal and it is due to the length of the activation time. Once the beverage cooler is running for a few hours everything will stabilize.

***Important: If the unit is unplugged, power is lost or switched off, wait 3 or 5 minutes before restarting the unit. The beverage cooler might not start if you attempt to restart before this time delay.***

- 2) Operating noises. To reach the desired temperature settings, Euro beverage cooler, like all beverage coolers operating with compressors and fans, may produce the following types of noises. These noises are normal and occur as follows:
  - Gurgling sound, caused by the refrigerant flowing through the appliance's coils;
  - Cracking/popping sounds, resulting from the contraction and expansion of the refrigerant gas to produce cold;
  - Fan operating sound, to circulate the air within the beverage cooler.
- 3) Loading your beverage cooler. You might load your cans or bottles standing or lying in single or double rows while taking note of the following:

- If you do not have enough cans or bottles to fill your beverage cooler, it is better to distribute them throughout the beverage cooler so as to avoid “all on top” or “all below” type loads.
- Remove or relocate metal racks to accommodate large type of cans or bottles where necessary.
- Keep small gaps between the wall and the cans or bottles to allow air circulation.
- To facilitate air circulation, do not over load your beverage cooler.
- Avoid obstructing the internal fan (located inside on the back panel of the beverage cooler)
- To prevent the cans or bottles from falling, do not try to slide the racks outwards beyond the fixed position
- Do not pull out more than one loaded rack at a time as this may cause the beverage cooler to tilt forward.
- Do not cover the metal racks with aluminium foil or other materials, as it will obstruct air circulation
- Do not move your beverage cooler while it is loaded with beverages. This may distort the main cabinet.
- Do not store explosive substances such as aerosol cans with a flammable propellant in this appliance.




## \*Temperature Setting

Notes: depending on the loading and settings chosen, it takes 24 hours for the beverage cooler temperature to stabilize. During this time, the LED temperature display may seem to move erratically. This is a normal process. This process occurs whenever the setting is modified and/or whenever a large amount of cans or bottles are added to the beverage cooler. In the event of a power interruption, all previous temperature settings are automatically erased and it will revert to the pre-set temperature setting.

*Important: The LCD displays by default the actual internal air temperature. It's important to understand that there is a difference between the air temperature inside the beverage cooler and the actual temperature of the beverages" You will need to wait approximately 12 hours before noticing the effects of temperature adjustment due to the critical mass within a full beverage cooler. Once the thermostat is set it is strongly advised not to adjust it frequently. The thermostat will maintain the temperature inside the beverage cooler within a +/- 2.5 °C range, the actual temperature of the beverages will only fluctuate 0.5 °C to 1 °C.*

1) Beverage Cooler Control panel:

The LCD displays the internal air temperature. The desired temperature can be adjusted by pressing Set button and then Up and Down buttons, the temperature setting can be adjusted from 0 °C to 10 °C. Press Set button, the set temperature will temporarily flash in the LCD display for 5 seconds.

 **Cooling Indicator light:** When the light is on, the cooling mode is currently in operation.

**Interior Light:** You can turn on/off the interior light by pressing the “Globe” button. The light will be turned off automatically if it remains ON for 10 minutes. You have to press the “Globe” button again and the light will turn back on. For the best storage condition, please keep the light off except while viewing.

### **\*Defrosting/Hygrometry/Condensation/Ventilation**

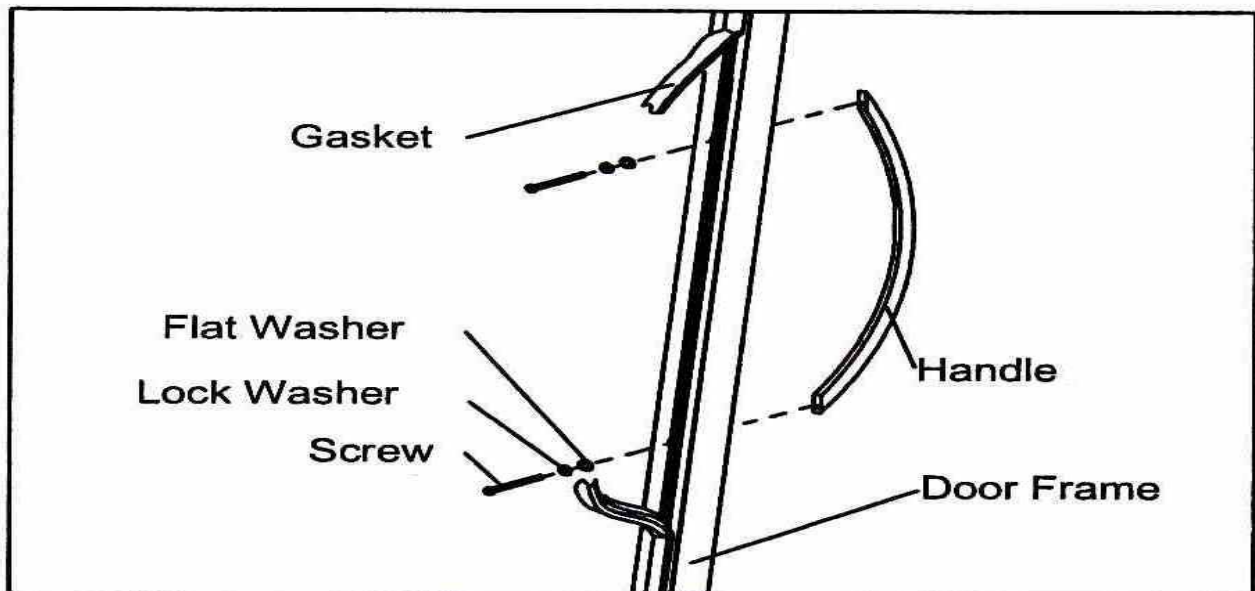
Your beverage cooler is designed with auto defrost system. The defrost water from the beverage cooler storage compartment drains automatically and part of it goes into a drainage container, which is located at the back of the beverage cooler next to the compressor. The heat is transferred from the compressor and evaporates any condensation that has collected in the pan. Part of the remaining water is collected within the beverage cooler for humidity purposes. All Euro beverage coolers are equipped with a triple glazed glass door to minimize condensation on the glass door. The unit is not totally sealed, fresh air admission is permitted through the drainpipe. Air is circulated through the beverage cooler by means of a fan /fans and the hollow shelves.

Notes: The water collected by condensation, is therefore recycled. Under extremely dry environmental conditions, you may have to add some water into the water container provided with your beverage cooler. During the refrigerating cycle, heat is given off and disperses through the external surfaces of the beverage cooler. Avoid touching the surfaces during those cycles.

## **\* Installing Stainless Steel Handle**

This beverage cooler includes a stainless steel handle that is required to operate this unit. To install the handle please follow the instruction below:

1. Pull away the door gasket in the area where the handle is to be installed – you can see two designated holes for handle installation. The gasket is easily displaced by hand, no tools are necessary.
2. Install the handle tightly as shown below with the two screws. Lock washers and flat washers provided. (DO NOT over tighten as this will cause damage to the handle assembly and stainless steel surface of glass door).
3. Replace the door gasket to its original position.



## **\*Power Failures and Operation Anomalies**

In the event of a power interruption, all previous temperature settings are automatically erased and the beverage cooler will revert to a preset temperature setting. Most power failures are corrected within a short period of time. A loss of power for an hour or two will not affect your beverage cooler's temperature. To avoid sudden change of temperature while the power is off, you should avoid opening the door. For a longer period of power failure, you may want to take steps to keep your beverages cool.

Ensure that there is power to the electrical supply plug by connecting another electrical appliance to it. Check Fuse, if any. Make sure that the door is closed properly.

If your beverage cooler appears to be malfunctioning, unplug it and contact EURO after sales service on 1800 440 335. Any service on the refrigeration circuit should be performed by a refrigeration technician who should carry out an inspection of the circuit sealing system. Similarly, any service on the electrical circuit should be performed by a qualified electrician.

**Note: Any service performed by a non-technician will lead to the warranty being considered as null and void.**

## \*Troubleshooting Guide

<b>PROBLEM</b>	<b>POSSIBLE CAUSE</b>
Beverage cooler does not operate.	Not plugged in. The appliance is turned off. The circuit breaker has tripped or a fuse has blown
Beverage cooler is not cold enough.	Check the temperature control setting. External environment may require a higher setting. The door is opened too often. The door is not closed completely. The door gasket does not seal properly.
Turns on and off frequently.	The room temperature is hotter than normal. A large amount of contents has been added to the Beverage Cooler. The door is opened too often. The door is not closed completely. The temperature control is not set correctly. The door gasket does not seal properly.
The light does not work.	Not plugged in. The circuit breaker tripped or a blown fuse. The bulb has burned out. The light button is "OFF".
Vibrations.	Check to assure that the Beverage Cooler is level.
Beverage cooler seems to make too much noise.	Some noise may come from the flow of the refrigerant, which is normal. As each cycle ends, you may hear gurgling sounds caused by the flow of refrigerant in your Beverage Cooler. Contraction and expansion of the inside walls

	<p>may cause popping and crackling noises.</p> <p>The Beverage cooler is not level.</p>
<p>The door will not close properly.</p>	<p>The Beverage Cooler is not level.</p> <p>The door was reversed and not properly installed.</p> <p>The gasket is dirty.</p> <p>The shelves are out of position.</p>

**Pronto** Service + Support: **1800 440 335**

65 Glynburn Road, Glynde, SA 5070

Email: [info@euroappliances.com.au](mailto:info@euroappliances.com.au)

Head Office: (08) 8165 1012

[www.euroappliances.com.au](http://www.euroappliances.com.au)