

Primo Oval LG 300



Specifications

Grill Weight	125 lbs.	56.70kg
Cooking Area	300 sq in.	1,935cm ²
Optional Rack System ...	195 sq in.	1,258cm ²
Total Cooking Area	495 sq in.	3,193cm ²
Cooking Grid	15" x 22"	38cm x 56cm
Temperature Range	200°–750°F+ ...	93°C–399°C+

Features

- < Patented Oval Shape
- < Premium-Grade Ceramics
- < Reversible Cooking Grates
- < Optional Rack System & Accessories



Made in USA



The **Primo Oval LG 300** is perfect for cooking “large” amounts of food. Grill, bake, roast or smoke any food and increase your cooking area with our extended rack system. Features include a cast iron top vent, easy-to-read thermometer, reversible cooking grates, and a stainless steel draft door.

Available as “grill only”, optional Primo Cart with Basket & One Piece Island Top with two cup holders (shown right) or any of our other Oval Large grill table models and carts.

About Primo Ceramic Grills

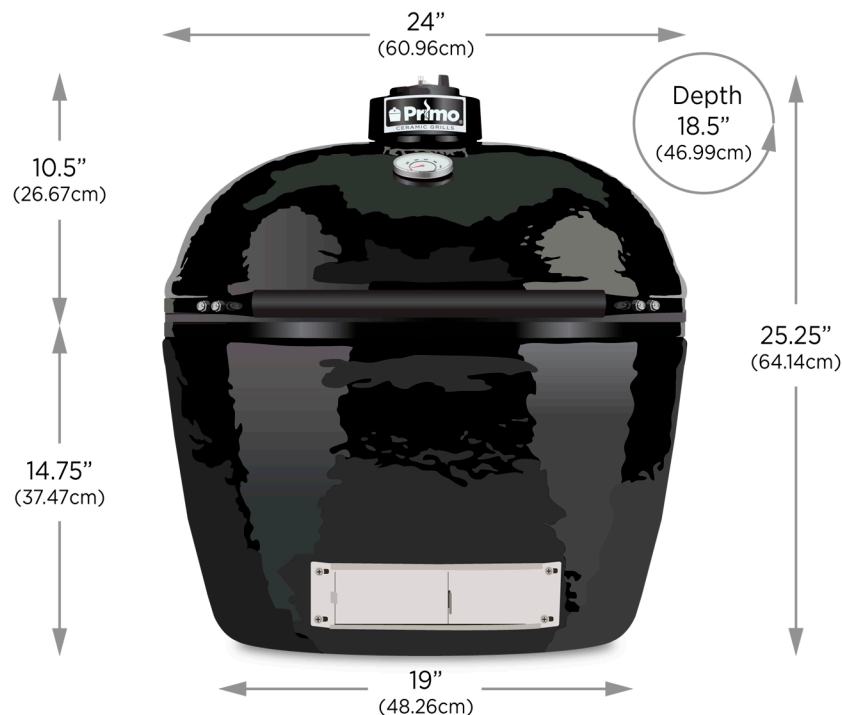
Primo is the Only Ceramic Grill Made in the USA. 4 out of 5 Americans prefer products made in the USA*, so it's easy to see why Primo is one of the most popular grills over its imported counterparts.

Patented Oval Design. The unique oval shape offers exceptional cooking efficiency and true two-zone cooking. Two distinct cooking zones allows you to grill and roast simultaneously. Round ceramic grill companies can make the claim, but Primo is the only one that delivers.

Grill, Bake, Roast, or Smoke All on the Same “Grill”. Primo ceramic grills work like a grill, an oven, a roaster, and a smoker. Simply choose a cooking configuration to meet your needs and cook any recipe...from steaks to bread to beef brisket.

Primo Offers Amazing Flavor. The combination of the ceramic shell and 100% natural lump charcoal creates juicier food and true wood-fired flavor. Enjoy mouthwatering and delicious food that gas and metal grills just can't offer.

Primo Oval LG 300 Dimensions



12" (30.48cm) of clearance is required behind the grill to open properly. A minimum of 2" (5.08cm) of clearance is required around the exterior surface of the grill.



American Made.  Amazing Flavor.

3289 Montreal Industrial Way • Tucker, Georgia 30084 • 770-492-3920
PrimoGrill.com • Facebook.com/PrimoCeramicGrills • PrimoGrillForum.com

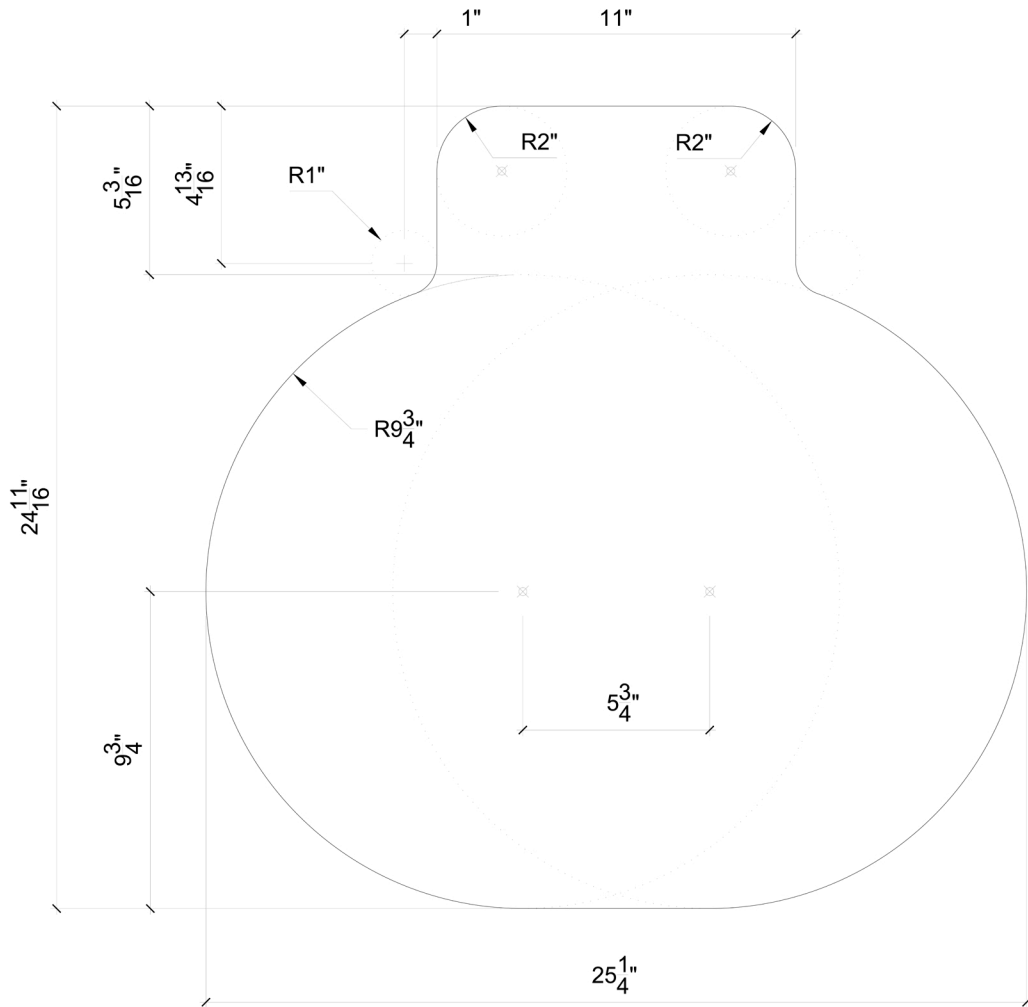


FIG. A - PLAN VIEW CUT-OUT

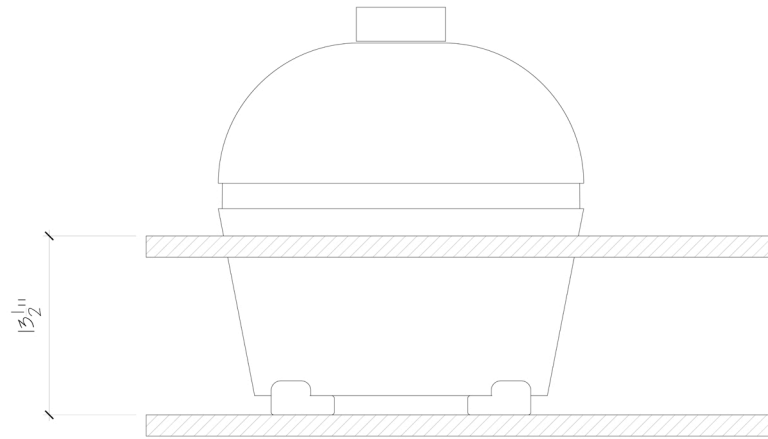


FIG. B - ELEVATION - HT. FROM TOP SURFACE TO SUPPORTING SHELF

TO HAVE THE LIP OF GRILL LOWER TO THE COUNTERTOP SURFACE USE THE TEMPLATE WITH THE HINGE NOTCH

DATE	06.13.2013		
REVISIONS			
DATE	11.06.2017		
SCALE	SCALE - AS SHOWN		
JOB NO.	DRAWN BY	G. L. W.	

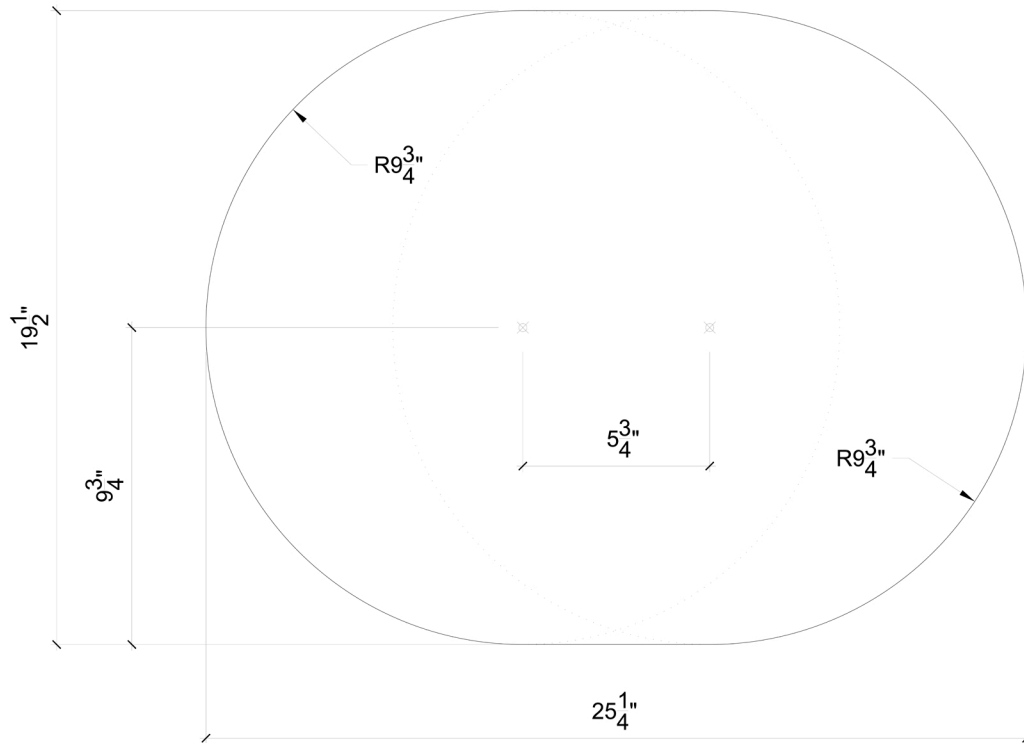


FIG. A - PLAN VIEW CUT-OUT

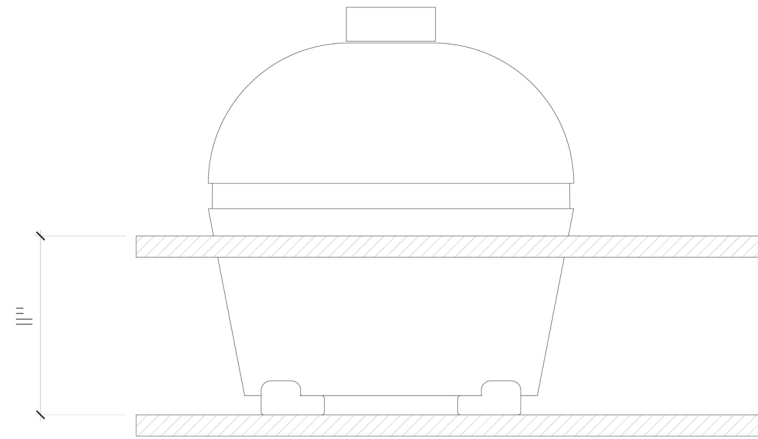


FIG. B - ELEVATION - HT. FROM TOP SURFACE TO SUPPORTING SHELF

DATE	06.13.2013
REVISIONS	
DATE	11.06.2017
SCALE	SCALE - AS SHOWN
JOB NO.	DRAWN BY G. L. W.