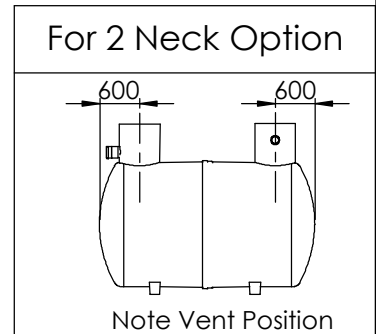
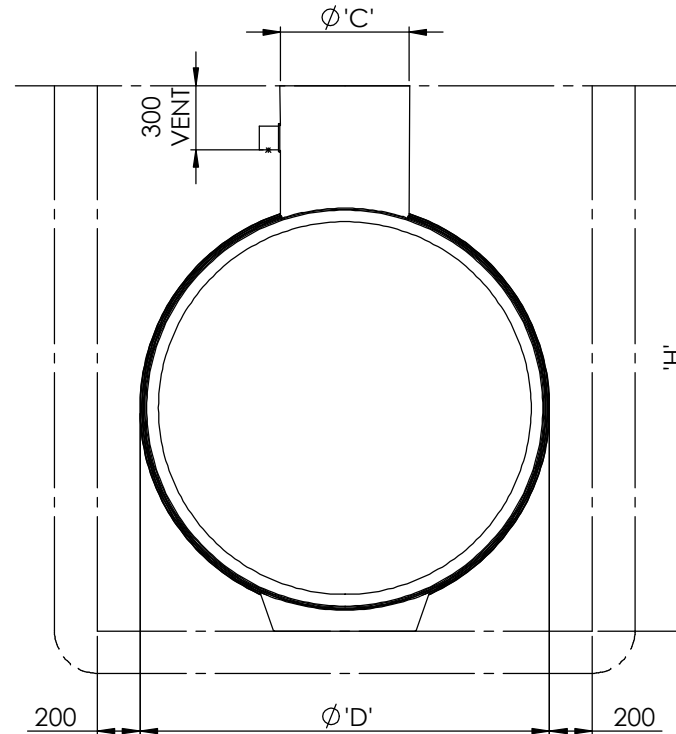
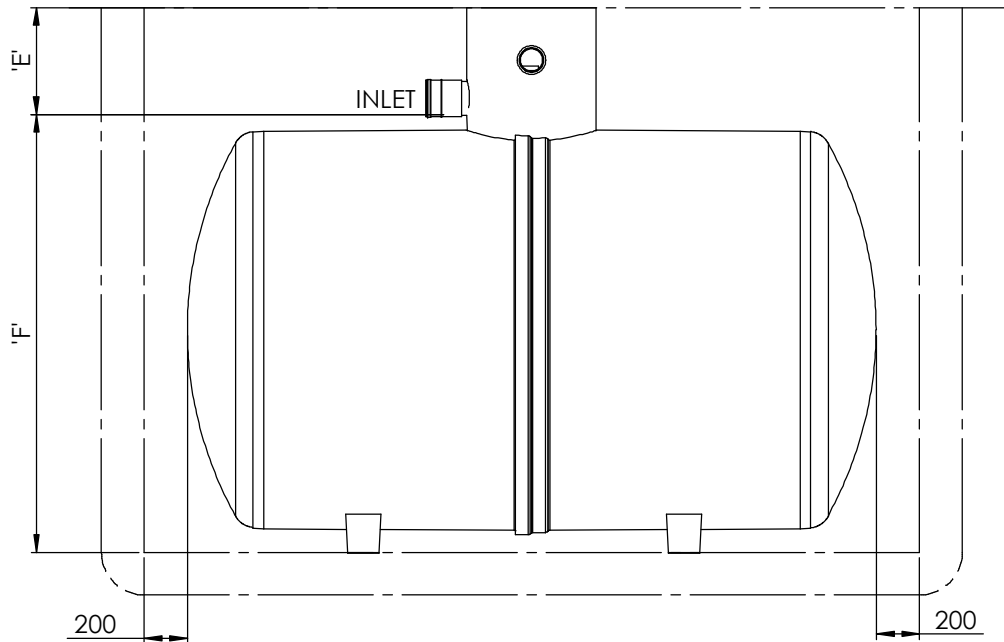


Product	Volume (L)	Empty Weight (kg)	Dimensions (mm)							
			'A'	'B'	'C'	'D'	'E'	'F'	'G' SEE NOTE 5	'H'
CPH028	2800	165	3020	1510	Ø460	Ø1225	500	1300	Ø110	1800
CPH038	3800	185	3900	1950	Ø460	Ø1225	500	1300	Ø110	1800
CPH048	4800	190	3775	1793	Ø600	Ø1425	500	1525	Ø110	2025
CPH057	5700	205	4275	2138	Ø600	Ø1425	500	1525	Ø110	2025
CPH071	7150	280	3230	1615	Ø600	Ø1920	500	2050	Ø160	2550
CPH091	9150	325	3965	1983	Ø600	Ø1920	500	2050	Ø160	2550

Notes:

1. Tanks have an inlet invert depth of 0.5m as standard. Upon request this may be extended up to 1.5m via neck GRP riser pieces.
2. This drawing should be used for dimensional information only. Refer to installation guidelines for full tank installation.
3. Confirm with local building regulations if additional venting is required.
4. If backfilling with peashingle the tank must be strapped down using suitable anchoring points and strapping (others).
5. CPH028, 038, 048 & 057 are available with Ø160mm pipework. CPH071 & 091 are available with Ø110mm pipework although Ø160mm is recommended.



Please check with Kingspan Environmental that this drawing is the latest issue			
Issue	Date	Drawn by	Approved by
04	26/04/18	W.DYER	
03	01/03/18	W.DYER	
02	16.01.15	T.Kelly	

Description	Material : Various	Tolerance :
CC1433	Finish :	Thickness : n/a
CC1422	Weight : 237.23 Kg Kgs	Surface Area :

Drawing : DS1219 Page 1 of 1

CPH - Shallow Dig Cesspool

All dimensions in mm Scale: Not to scale

Kingspan Environmental reserve the right to alter the details of this drawing without prior notice. This drawing is copyright and may not be reproduced or used without the written permission of Kingspan Environmental.

