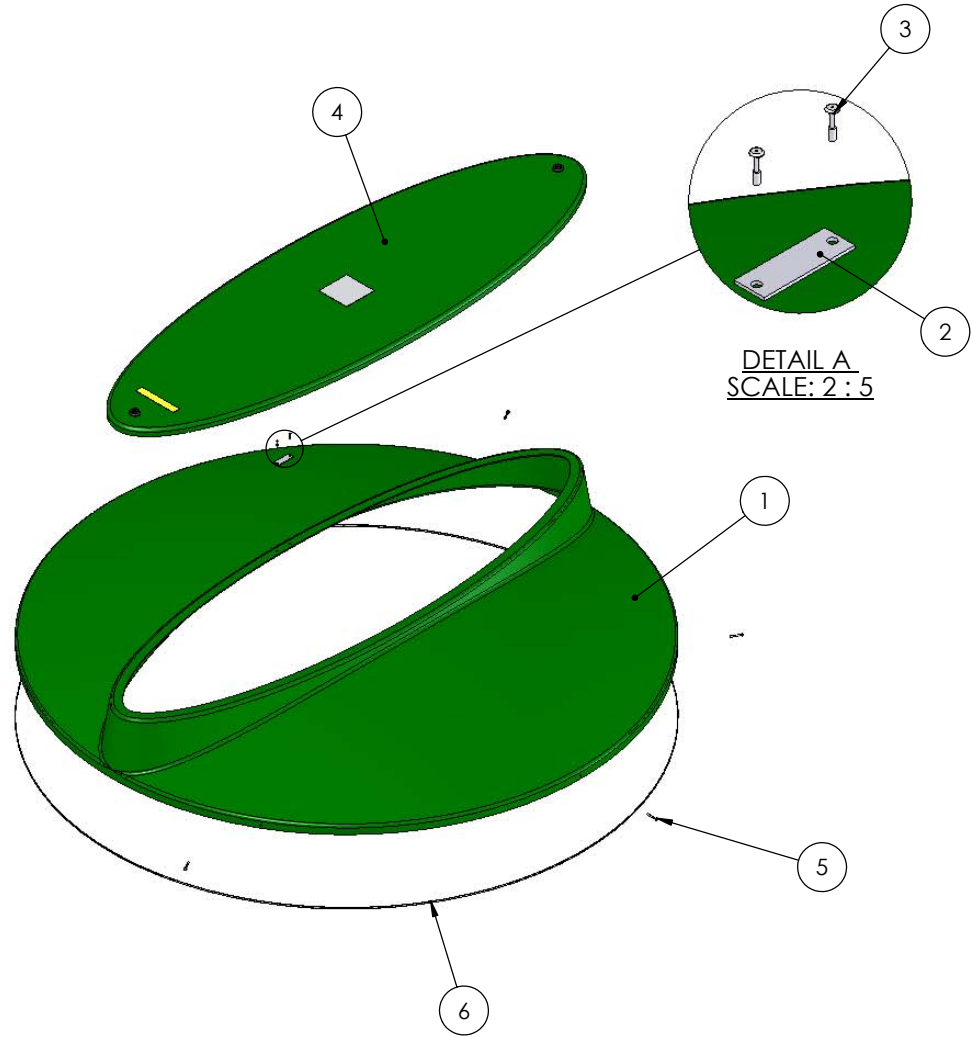
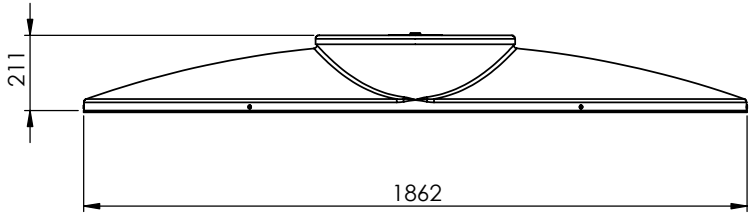
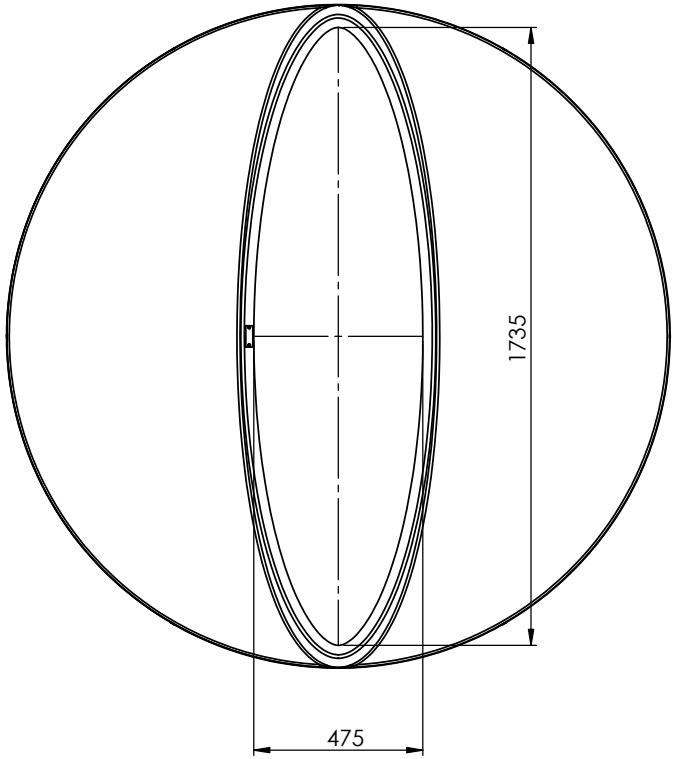


ITEM NO.	PART NUMBER	Description	QTY.
1	102075	P4 - P12 Lid	1
2	012350	ALLY PLATE 60 X 20mm	1
3	013117	Rivet Tapt 412	2
4	800024	P4-P12 Access Cover & Lock Kit Assy	1
5	012344	Rivet Tapt 633	6
6	012779	SILICONE SEALANT - CLEAR HIGH MODULUS	1



Please Check with Environmental Treatment Systems Limited For The Latest Issue Of This Drawing			
Issue	Date	Drawn by	Approved by
02	07.01.11	JMcM	
01	25.09.09	P.T.C	

Material : Various	Tolerance (unless stated) :
Finish :	Thickness : n/a
Weight : 10.57 Kg	Surface Area : m ²
Modelled By : Name	

Drawing : P06COVER	Page 1 of 1
P6 & P12 COVER ASSEMBLY	

All Dimensions In mm	Scale: Do Not Scale	Third Angle Projection
X:\engineering\Drawing Data\04 - Sub Assembly\Biotec (P6-P12) FST\P06COVER		

Environmental Treatment Systems Limited reserve the right to alter the details of this drawing without prior notice. This drawing is copyright and may not be reproduced or used without the written permission of Environmental Treatment Systems Limited

