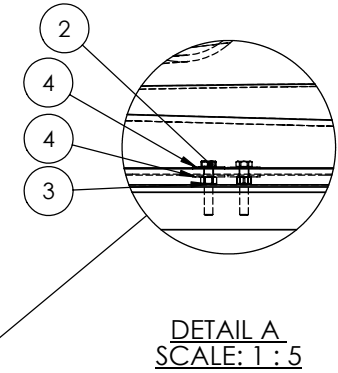
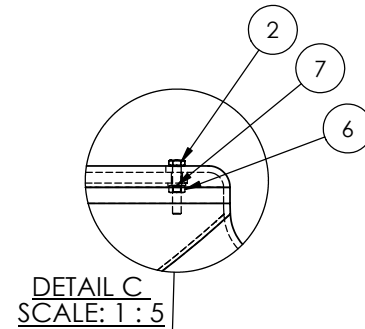
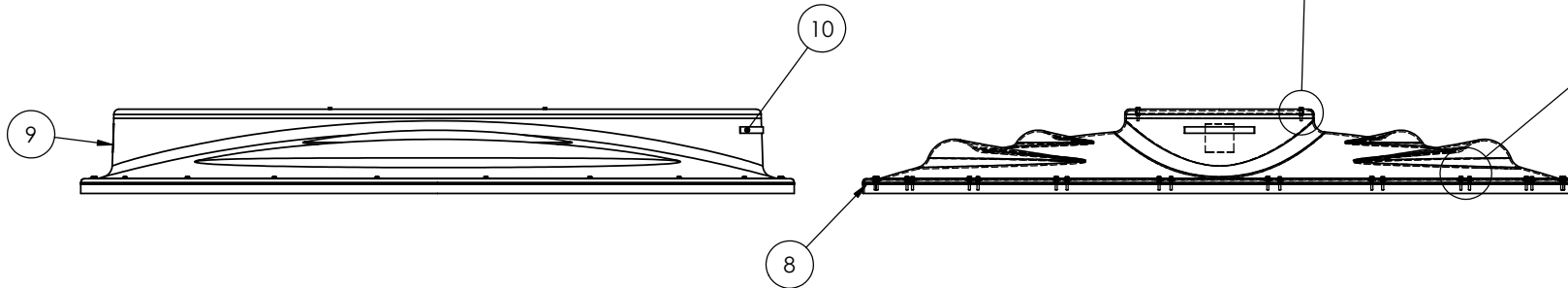
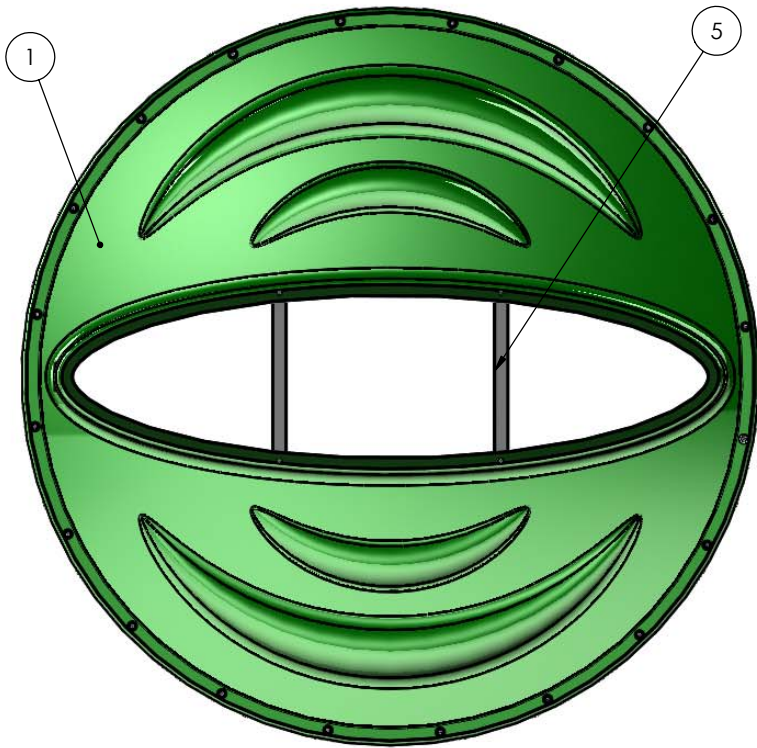


ITEM NO.	PART NUMBER	DESCRIPTION	QTY.
1	102222	P18/25 RIBBED COVER	1
2	010767	M8 x 45 Hex HD screw	24
3	011705	M8 Hex nut ST/ST	20
4	010042	M8 Flat Penny Washer	40
5	304028	STEEL FLAT BAR GALANISED 10mm Entec Draw	2
6	011705	M8 Hex nut ST/ST	4
7	011396	M8 Plain Washer (ST.ST)	4
8	012779	SILICONE SEALANT - CLEAR HIGH MODULUS	1
9	013461	KINGSPAN SERVICE LABEL	1
10	011610	LABEL-MAX.GROUND LEVEL S-AD BLK ON YLW	1



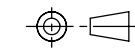
Please Check with Environmental Treatment Systems Limited For The Latest Issue Of This Drawing			
Issue	Date	Drawn by	Approved by
01	23.02.11	JC	
Description		Initial Issue of Assembly	

Material :	Tolerance (unless stated) :
Finish :	Thickness :
Weight :	Surface Area : m ²
Modelled By :	

Drawing : PH102222 Page 1 of 1

P18 & P25 COVER

All Dimensions In mm Scale: Do Not Scale



Third Angle Projection

Z:\engineering\Drawing Data\04 - Sub Assembly\100 - 000 Laminated Components\1022\PH102222

Environmental Treatment Systems Limited reserve the right to alter the details of this drawing without prior notice. This drawing is copyright and may not be reproduced or used without the written permission of Environmental Treatment Systems Limited

Environmental Treatment Systems Limited