

MEDO Air Blower Series

Model **LA-28B/LA-45C/LA-60B/LA-80B/
LA-100A/LA-120A/LAM-150/LAM-200**

Unique Linear Shuttle Design

Compact Type

LA-28B & LA-45C

Medium Type

LA-60B & LA-80B

Large Type

LA-100A & LA-120A

Extra Large Type

LAM-150 & LAM-200

Benefits include:

- Low noise
- Easy maintenance
- Unrivalled performance and lifetime
- Weatherproof case IP55 *
- Low running temperature
- No grounding work required

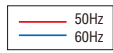
*The IP rating of LA-60B & LA-80B is IP54.



Specifications

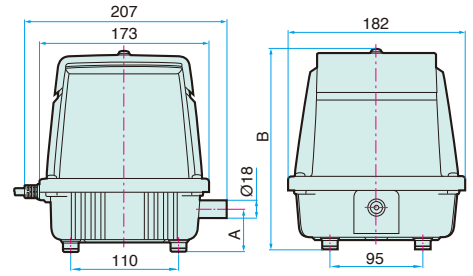
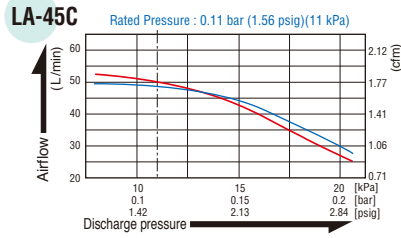
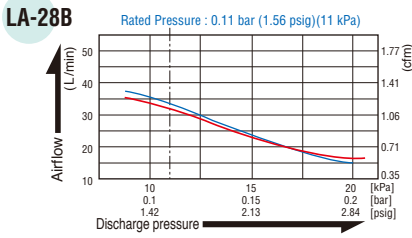
Model	LA-28B	LA-45C	LA-60B	LA-80B	LA-100A	LA-120A	LAM-150	LAM-200
Power Supply	120 V, 230 V, 240 V AC				230 V, 240 V AC			120V, 230 V, 240 V AC
Rated Frequency	50 Hz, 60 Hz				50 Hz			50 Hz, 60 Hz
Rated Pressure	0.11 bar (1.56 psig)		0.15 bar (2.13 psig)		0.18 bar (2.56 psig)		0.20 bar (2.84 psig)	
Operating Pressure Range	0.05-0.2 bar (0.71-2.84 psig)				0.05-0.3 bar (0.71-4.27 psig)			
Rated Airflow	28 L/min	45 L/min	60 L/min	80 L/min	100 L/min	120 L/min	150 L/min	200 L/min
Power Consumption	29 W / 50 Hz 25.5 W / 60 Hz	47 W / 50 Hz 45 W / 60 Hz	64 W / 50 Hz 60 W / 60 Hz	86 W / 50 Hz 80 W / 60 Hz	100 W / 50 Hz	130 W / 50 Hz	140 W / 50 Hz	215 W / 50 Hz 215 W / 60 Hz
Weight	2.8 kg (6.4 Lbs)	3.2 kg (7.1 Lbs)	5.0 kg (11 Lbs)	5.3 kg (11.7 Lbs)	9.7 kg (21.4 Lbs)		12.3 kg (27.1 Lbs)	

Air Flow Characteristics



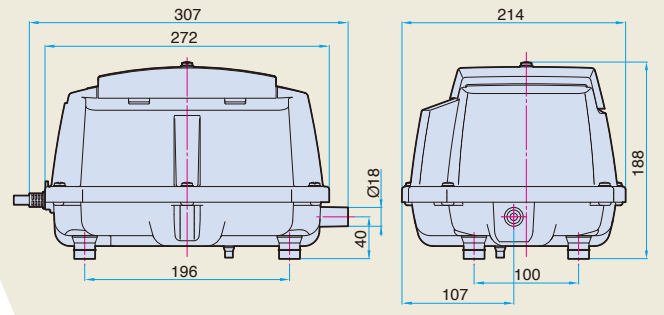
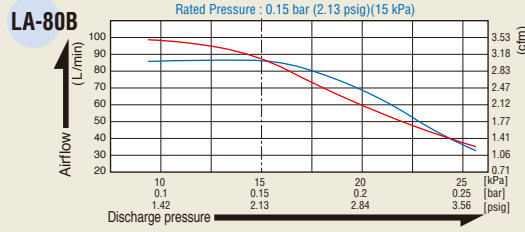
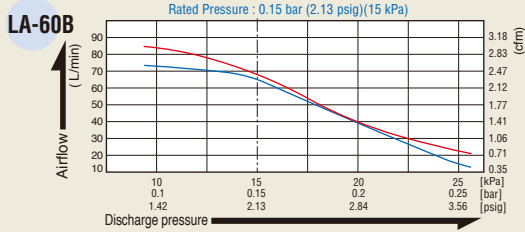
Sketch Drawing and Dimensions Diagram (mm)

Compact Type

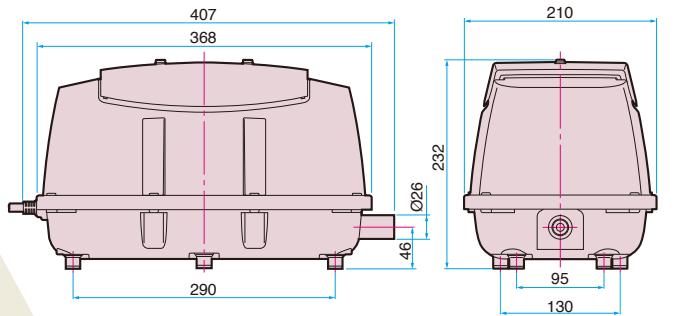
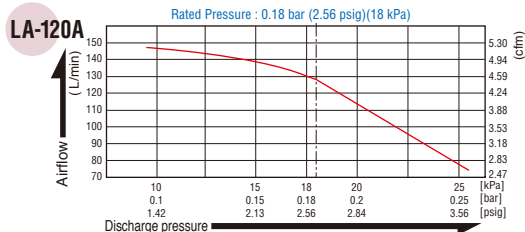
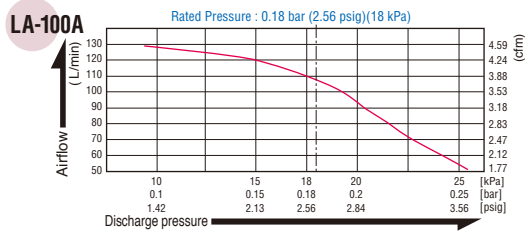


A : 44 mm (LA-28B), 47.5 mm (LA-45C)
 B : 205 mm (LA-28B), 208.5 mm (LA-45C)

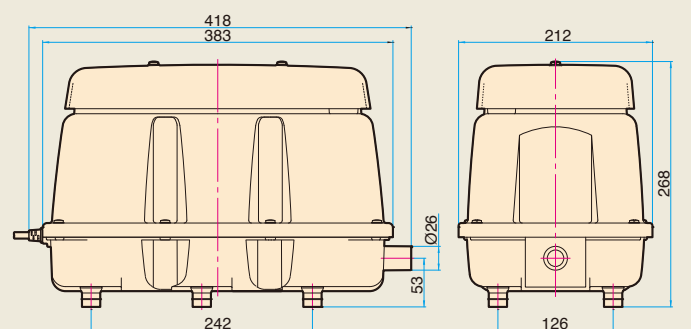
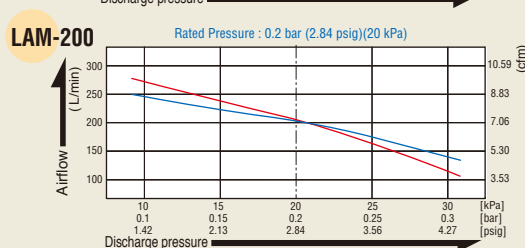
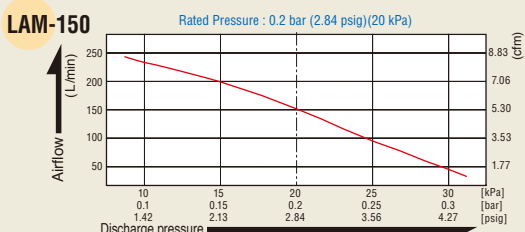
Medium Type



Large Type



Extra Large Type



NITTO KOHKI CO., LTD.

Head Office

9-4, Nakaikegami 2-chome, Ohta-ku, Tokyo 146-8555, Japan
 Tel : +81-3-3755-1111 Fax : +81-3-3753-8791
 E-mail : overseas@nitto-kohki.co.jp

Web www.nitto-kohki.co.jp/e

DISTRIBUTED BY



This catalog is printed using environmentally friendly paper and vegetable oil inks.