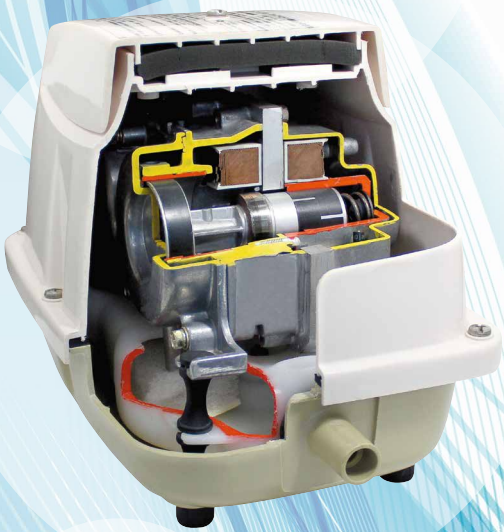


# MEDO Air Blower Series

Model LA-60E/LA-80E

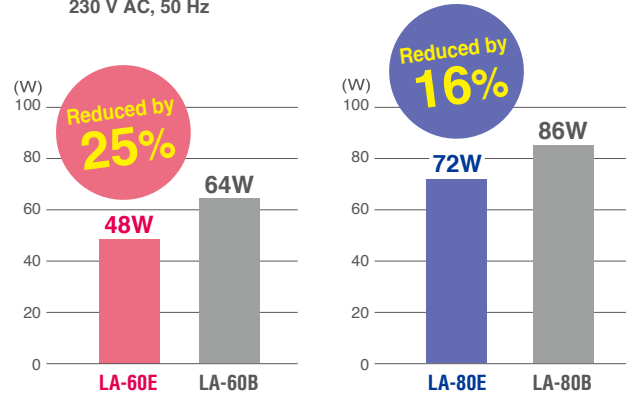
## Low Power Consumption Type Blower

- ◇ 25% Reduced Power Consumption
- ◇ Reduced Carbon Footprint (CO<sub>2</sub>)
- ◇ Low Noise; Whisper Quiet
- ◇ Linear-Shuttle Design (no diaphragms)
- ◇ Unsurpassable Performance and Lifetime
- ◇ Easy Maintenance
- ◇ Weatherproof Case IP54



### Comparison of Power Consumption

230 V AC, 50 Hz

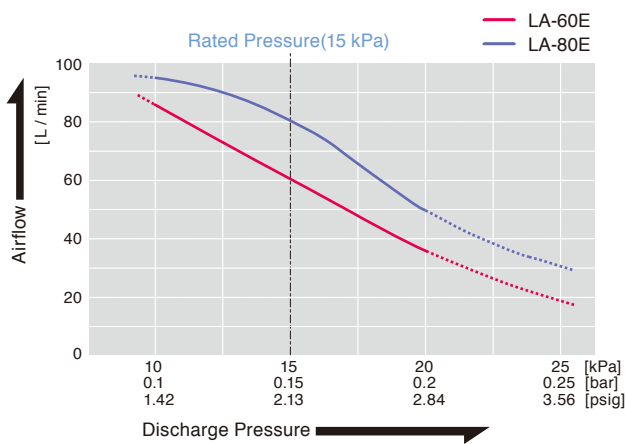


## Specifications

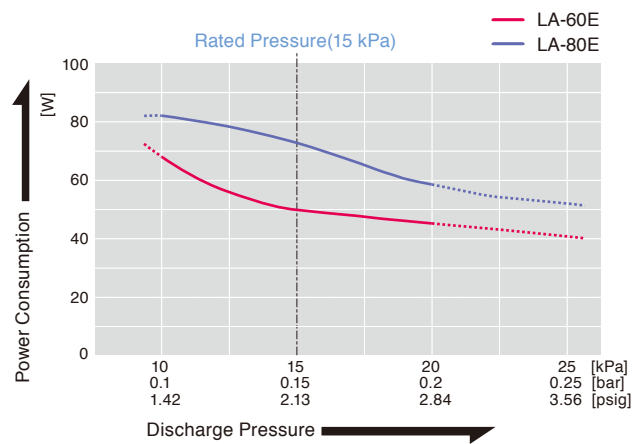
Model	LA-60E	LA-80E
Power Supply	230 V AC	
Rated Frequency	50 Hz	
Rated Airflow	60 L/min	80 L/min
Rated Pressure	15 kPa 0.15 bar 2.17 psig	
Operating Pressure Range	10 - 20 kPa 0.1 - 0.2 bar 1.45 - 2.9 psig	
Power Consumption	48 W	72 W
Weight	5.0 kg	5.3 kg



### Airflow Characteristics

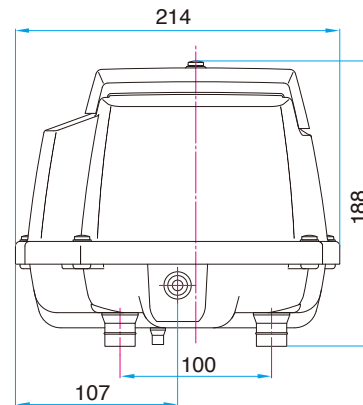
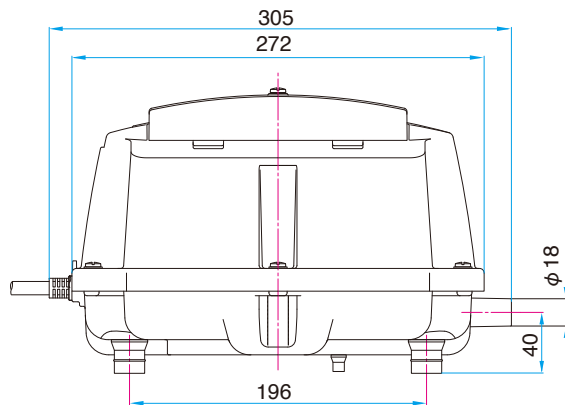


### Power Consumption Characteristics



### External View and Mounting Dimensions

Unit : mm



**NITTO KOHKI CO., LTD.**

Web [www.nitto-kohki.co.jp/e](http://www.nitto-kohki.co.jp/e)

#### Head Office

9-4, Nakaikegami 2-chome, Ohta-ku, Tokyo 146-8555, Japan

Tel : +81-3-3755-1111 Fax : +81-3-3753-8791

E-mail : [overseas@nitto-kohki.co.jp](mailto:overseas@nitto-kohki.co.jp)

DISTRIBUTED BY

This catalog is printed using environmentally friendly paper and vegetable oil inks.

