

Small & medium capacity air pump

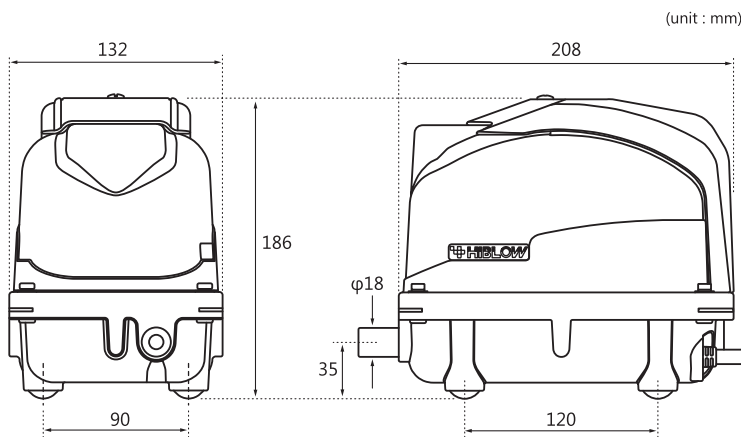
# XP-40 / 60 / 80



- Pressure type
- Dust control "Dust trap filter"
- Easy restart by micro switch (XP-60 / 80 only)
- No need of grounding
- Outdoor (Rainproof) use

- Applications**
- Septic tank (biological contact aeration)
  - Air injection for bubble bath
  - Small capacity compressor

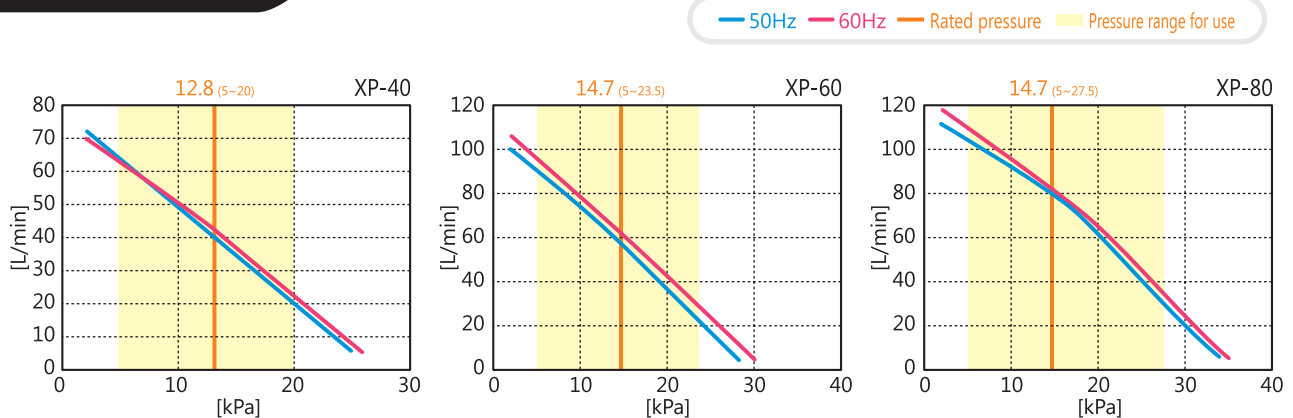
## Dimensions



## Specifications

	XP-40	XP-60	XP-80
Rated voltage [ V ]	AC100 / 120 / 230		
Power frequency [ Hz ]	50   60	50   60	50   60
Rated pressure [ kPa ]	12.8	14.7	
Airflow volume [ L/min ]	40	60	80
Power consumption [ W ]	30	39	58
Sound level [ dBA ]	33	35	36
Weight [ kg ]	4.1	4.3	

## Performance Curve



\* All characteristics values are only for reference, and are not guaranteed values.  
\* Note that the operating temperature for our pumps is 41°F(5°C) to 104°F(40°C).