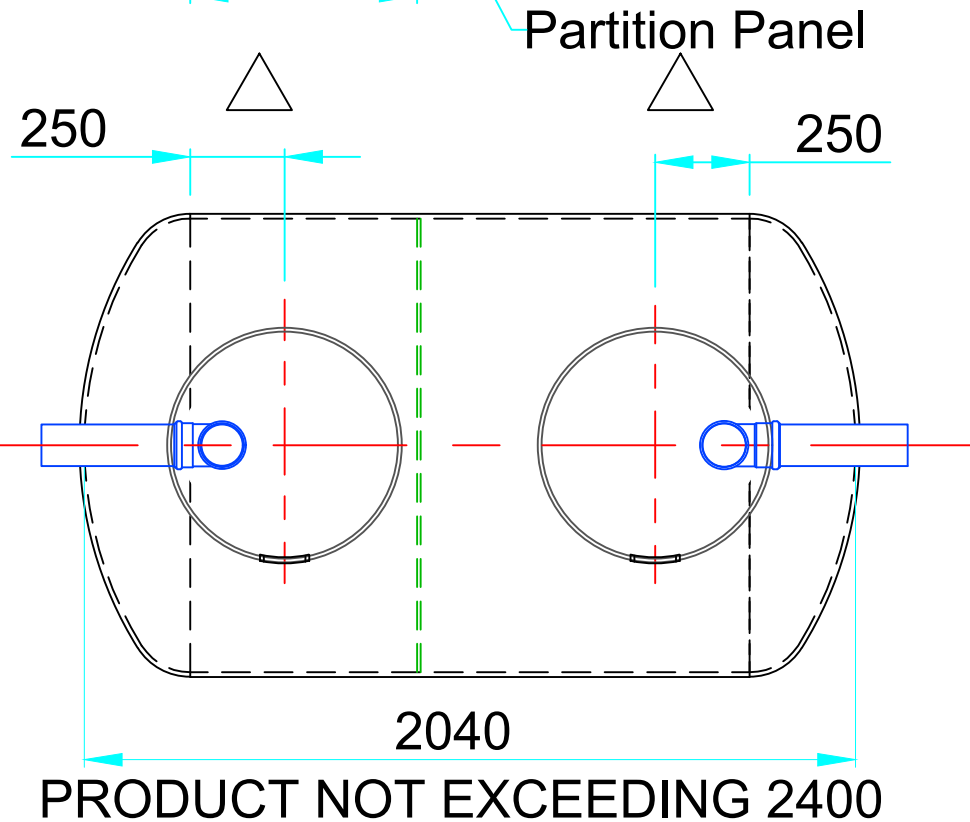
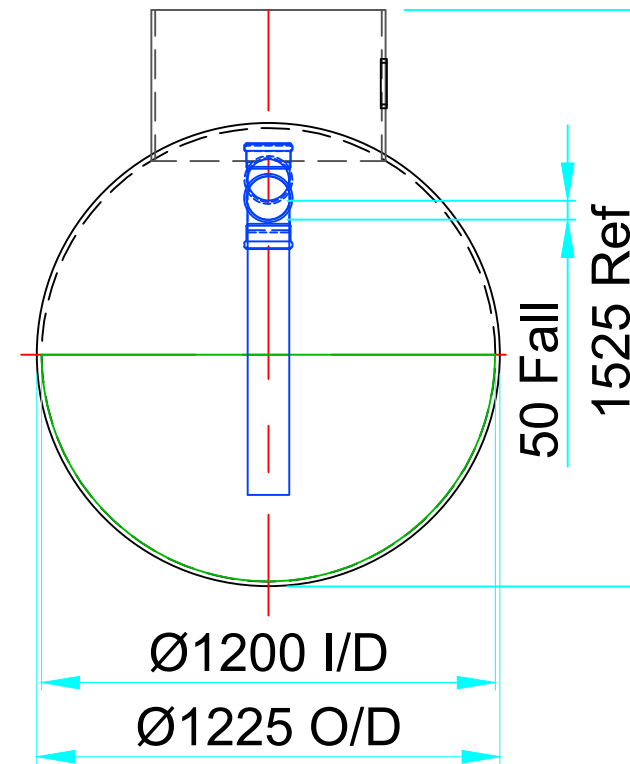
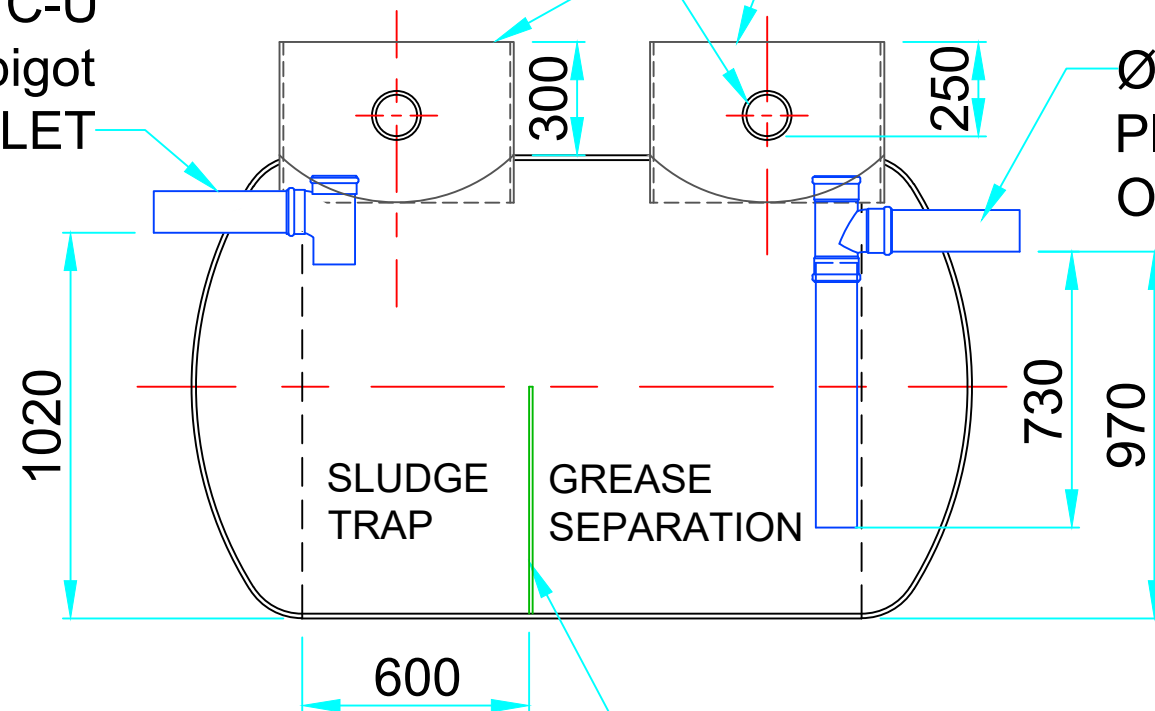


2 No. Ø119 Vent Holes C/W Rubber Ring  
(to suit Ø110 pipe)

Ø600 Access Shafts

Ø110 PVC-U  
Plain Spigot  
INLET

Ø110 PVC-U  
Plain Spigot  
OUTLET



Key to Symbols:  $\triangle$  Lifting Point

$\square$  Hold-down strap rib locations where mechanical anchoring is required

Manufacturing Joint

$\circ$  BoQ's reference no.

|              |      |     |                                    |     |
|--------------|------|-----|------------------------------------|-----|
|              |      |     |                                    |     |
| Distribution | Date | Rev | Issued only for purpose indicated: | **  |
|              |      |     |                                    | BY: |

This drawing is confidential and must not be copied, reproduced or passed to a third party without written permission from SPEL PRODUCTS

DIMENSIONS ARE SUBJECT TO DIMENSIONAL TOLERANCES. If critical, check physically prior to installation

Water table & Burial Depth: The customer must check tank specification is compatible with ground water table level (in winter) and burial depth. If in doubt refer to SPEL Data Manual Section 4 or contact SPEL Products Sales or Technical Department

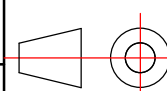
Title: SPEL 200 Series Grease/Food Separation Tank

Contract: -----

Capacity 2,000 Ltrs

Tank Specification Standard

Laminate Specification GP



All sizes in mm  
If in doubt ASK!

**SPEL**  
Lancaster Road, Shrewsbury  
Shropshire, SY1 3NQ, England  
Telephone: +44 (0)1743 445200  
www.spelproducts.co.uk

Drawn  
Checked  
Date  
Scale 1:20 Sheet A3

TANK SERIAL No.  
INTERNAL ORDER No.

Revision **A**