

FPZ
BLOWER TECHNOLOGY

10DL/15DH MD MOR

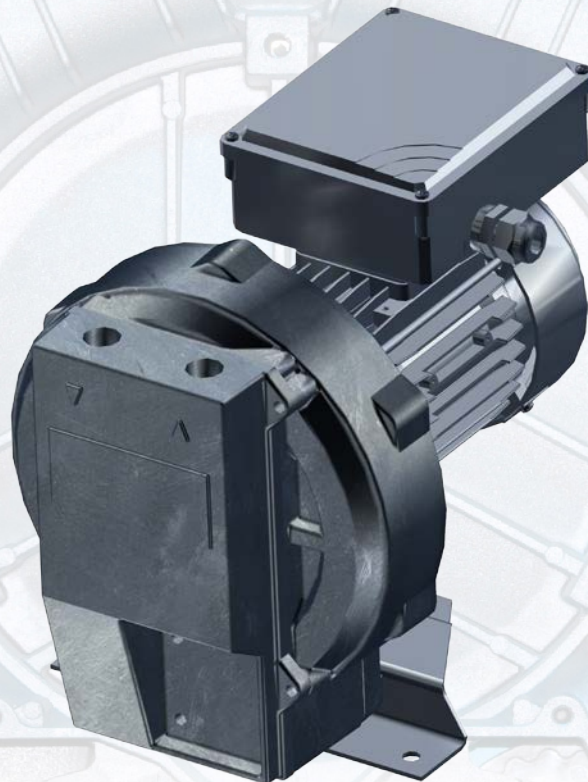
EU VERSION

TECHNICAL CHARACTERISTICS

- Aluminium alloy construction
- High efficiency impeller

OPTIONS

- Special Voltages (IEC 60038)
- Surface treatments
- Increased seal version



Data sheet

LATERAL CHANNEL BLOWERS-EXHAUSTERS

COMPANY WITH QUALITY MANAGEMENT
SYSTEM CERTIFIED BY DNV
= ISO 9001:2008 =



PRESSURE

Model	N 2900 rpm [kW]	N 3500 rpm [kW]	Q max 2900 rpm [m ³ /h]	Q max 3500 rpm [m ³ /h]	ΔP max 2900 rpm [hPa] (mbar)	ΔP max 3500 rpm [hPa] (mbar)	Leq ¹ 2900 rpm (Lp) [dB(A)]	Leq ¹ 3500 rpm (Lp) [dB(A)]	Weight ² max [kg]
10DL-MD	0,37	0,43	30	35	200	175	62	64	10
15DH-MD	0,55	0,63	50	58	300	275	62	64	12,5

VACUUM

Model	N 2900 rpm [kW]	N 3500 rpm [kW]	Q max 2900 rpm [m ³ /h]	Q max 3500 rpm [m ³ /h]	ΔP max 2900 rpm [hPa] (mbar)	ΔP max 3500 rpm [hPa] (mbar)	Leq ¹ 2900 rpm (Lp) [dB(A)]	Leq ¹ 3500 rpm (Lp) [dB(A)]	Weight ² max [kg]
10DL-MD	0,37	0,43	30	35	150	175	62	64	10
15DH-MD	0,55	0,63	50	58	275	275	62	64	12,5

INSTALLATION

- For proper use, the blower should be equipped with INLET FILTER and Flow Relief VALVE; other accessories available on request.
- Ambient temperature from -15° to +40°C (+5° to +104° F).
- Specifications subject to change without notice.
- Before installation read carefully all instructions.

¹ Noise measured at 1 m distance with inlet and outlet ports piped, in accordance to ISO 3744.

² Value refers to the weight of the machine with 3 Phase motor if MOR range, without motor if GOR or GVR range.

N: Installed motor power

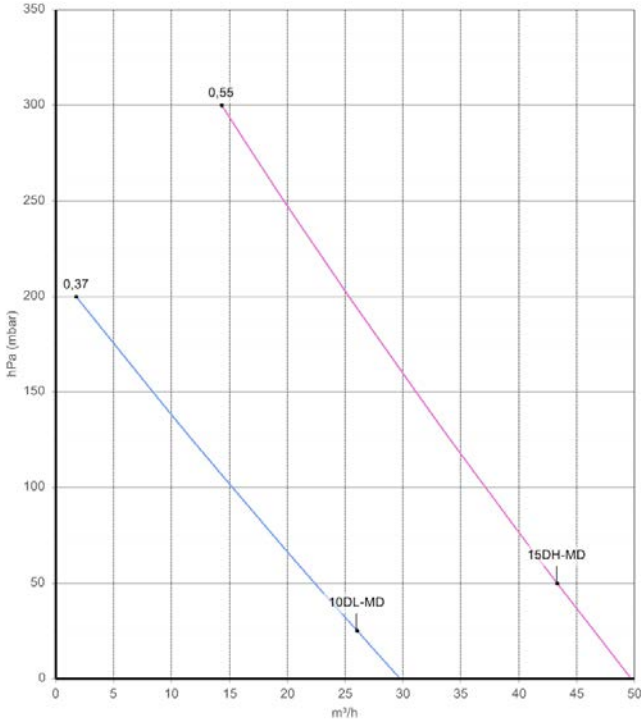
Q: Flow rate

ΔP: Differential pressure

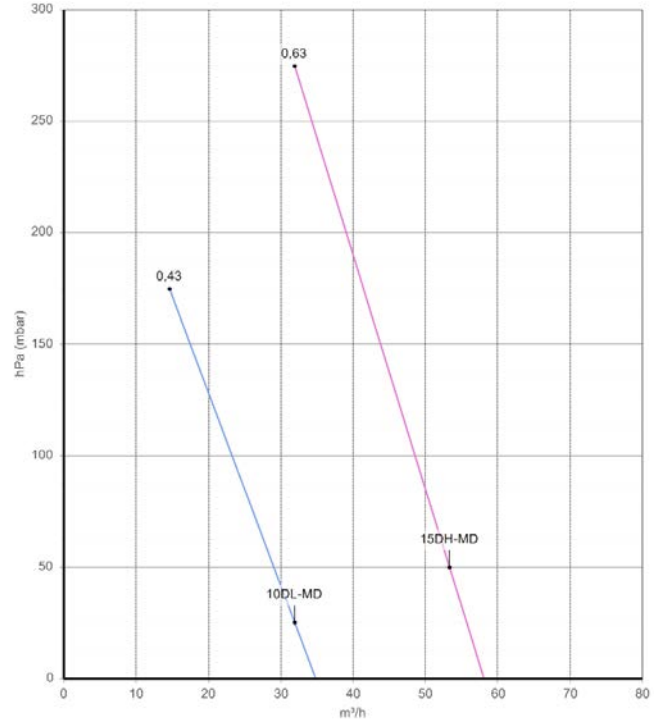
Leq: Noise Level

PRESSURE

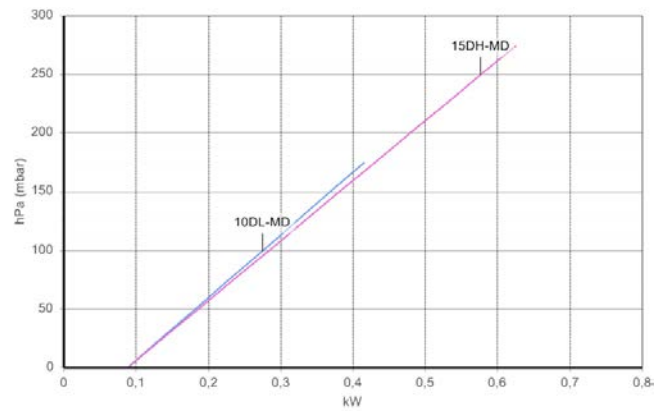
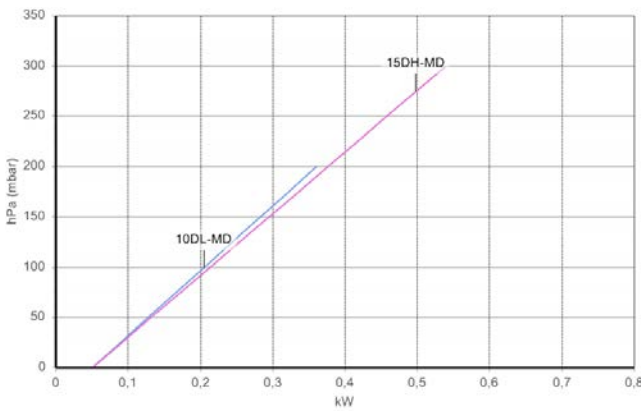
2900 rpm (50 Hz)



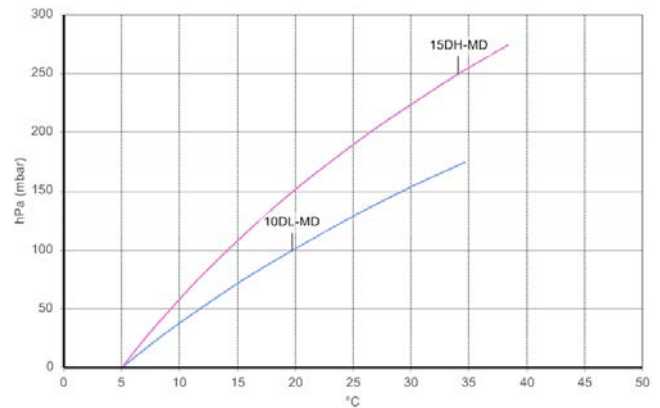
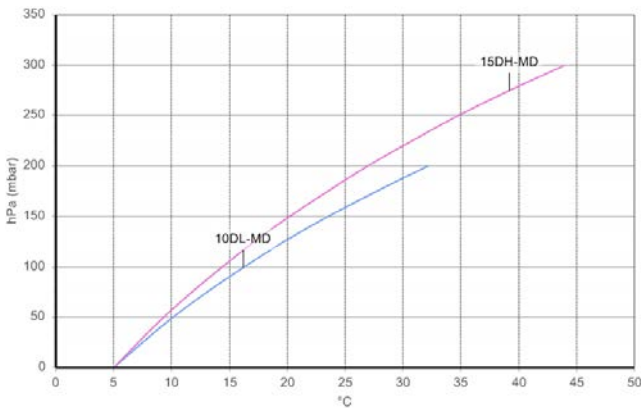
3500 rpm (60 Hz)



FLOW RATE



ABSORBED POWER



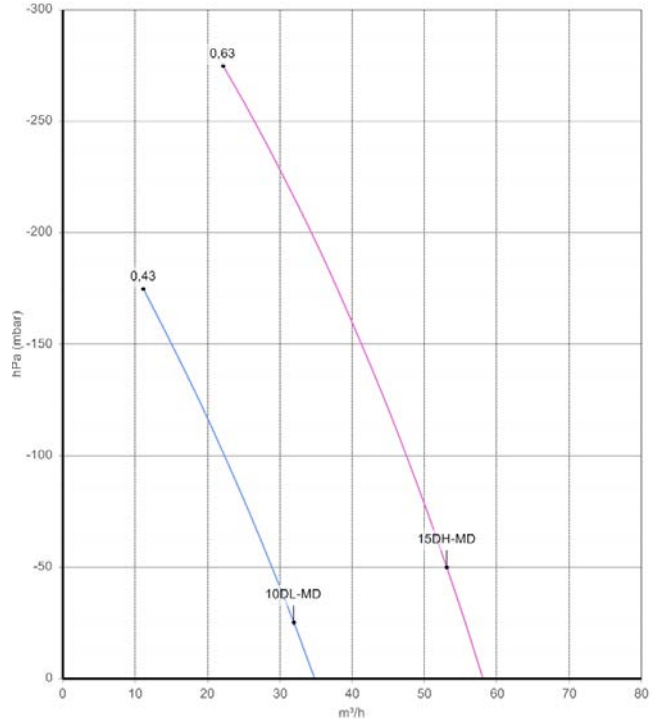
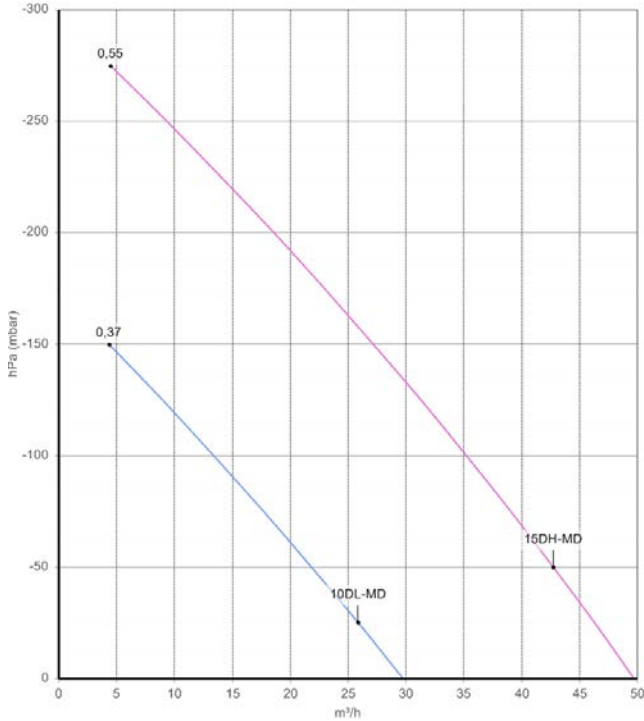
TEMPERATURE INCREASE

Curves refer to air at 20°C (68° F) temperature and 1013 mbar (29.92 In Hg) atmospheric pressure (abs) measured at inlet port.
Values for flow, power consumption and temperature rise: ±10% tolerance.
Data can change without prior notice.

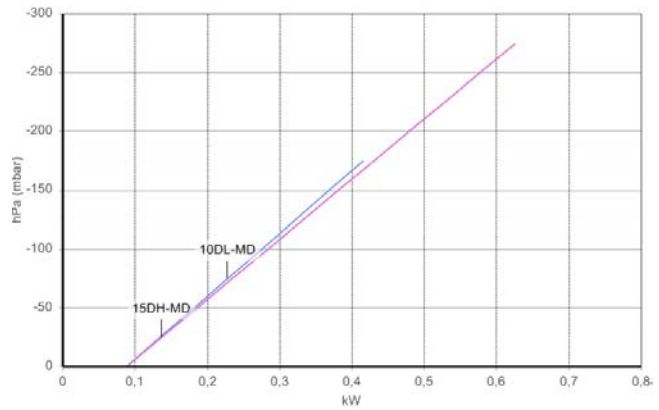
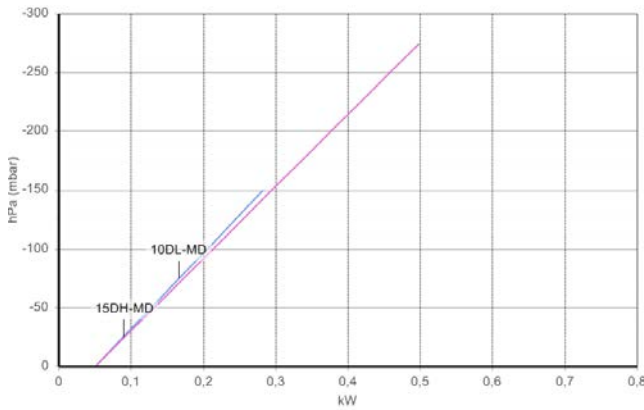
VACUUM

2900 rpm (50 Hz)

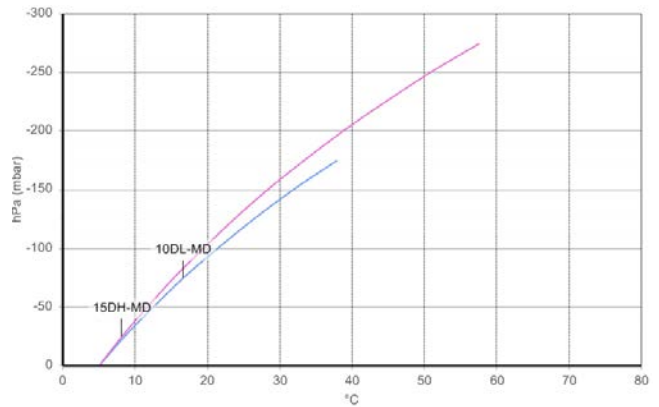
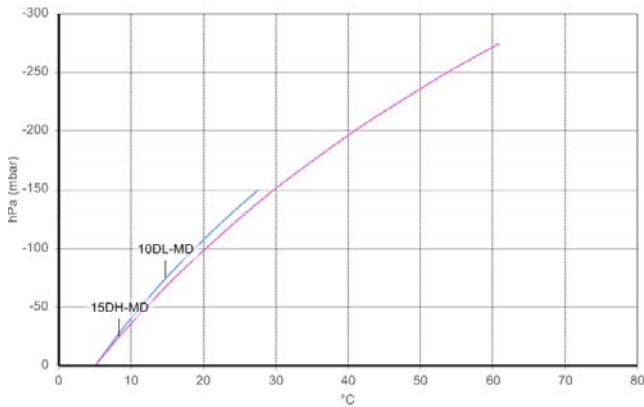
3500 rpm (60 Hz)



FLOW RATE



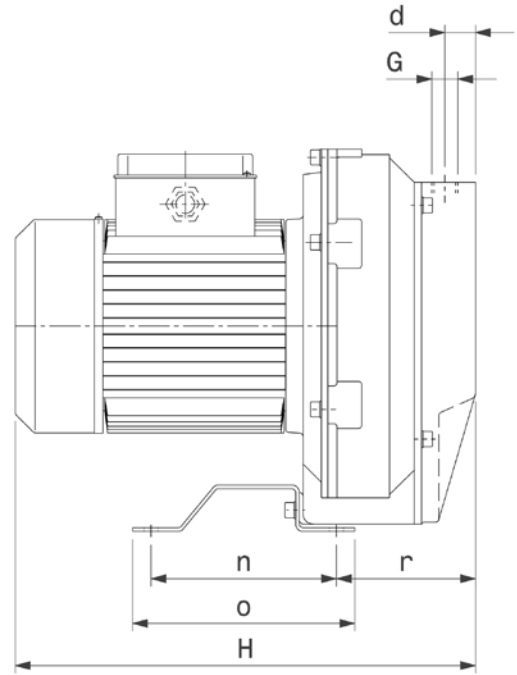
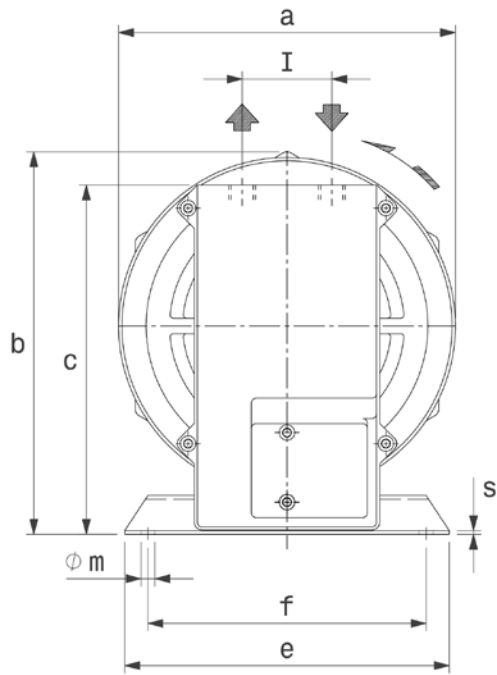
ABSORBED POWER



TEMPERATURE INCREASE

Curves refer to air at 20°C (68° F) temperature, measured at inlet port and 1013 mbar (29.92 In Hg) atmospheric backpressure (abs).
Values for flow, power consumption and temperature rise: ± 10% tolerance.
Data can change without prior notice.

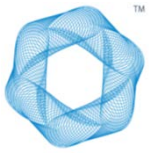
DIMENSIONS (10DL-MD/15DH-MD)



Dimensions in mm - FOR REFERENCE ONLY

Model	a	b	c	d	e	f	G
10DL-MD	220	256	230	23	210	180	G 1/2"
15DH-MD	250	286	258	30	210	180	G 3/4"

Model	H	I	m	n	o	r	s
10DL-MD	300	58	9	120	144	90	2,5
15DH-MD	335	64	9	120	144	120	2.5



FPZ
BLOWER TECHNOLOGY

FPZ, Inc

Saukville, Wisconsin
USA
usa@fpz.com

FPZ Espana/Portugal

Barcelona
Espana
mila.lozano@fpz.com

FPZ France S.a.r.l.

St. Priest
France
france@fpz.com

HEADQUARTERS

FPZ S.p.A.
Concorezzo (MB)
Italy
info@fpz.com

FPZ México/LA

Zapopan, Jalisco
México
mexico@fpz.com

FPZ UK

Andover, Hampshire
United Kingdom
uk@fpz.com

FPZ Austria & Germany

Krems
Austria
vertrieb@fpz.com