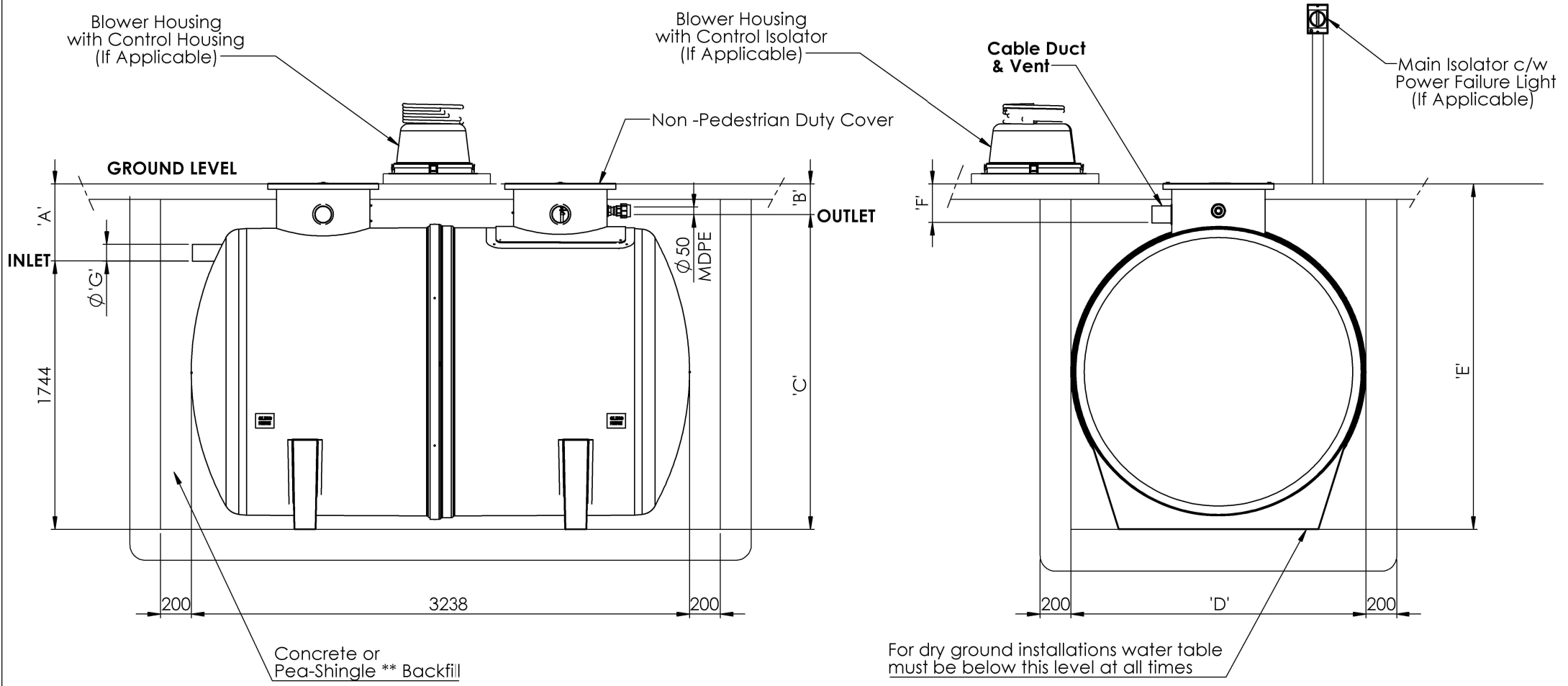


Notes:

1. This drawing is for 'Dimensional information Only', it is essential that this drawing is read in conjunction with the 'Installation Guidelines' supplied with the unit. (Copies available from our Sales Department)
2. Inlet pipe is Ø110mm PVCu and Outlet is 50mm MDPE compression fitting
3. Extension neck kit is available for deeper inverts up to a maximum invert of 2000mm. See extension neck drawing for assembly details.
4. Blower located inside external housing. Alarm beacon to be fitted to outside of blower housing (if applicable).
5. Vent pipe connection is supplied but vent runs and stacks are supplied by others.
6. Air hose for tank internals is supplied with blower housing and is run through the vent.
7. **Pea -shingle backfill is reliant on use of correct strapping and anchoring.

Unit Ref	A' (mm)	B' (mm)	C' (mm)	D' (mm)	E' (mm)	F' (mm)	G' (mm)	Unit Weight (Kgs)
BIA 4	500	200	2045	1920	2245	250	110	510
	1000	200	2545	1920	2745	250	110	520
	1500	200	3045	1920	3245	250	110	535
	2000	200	3545	1920	3745	250	110	545



Please check with Kingspan Water & Energy for the latest Issue of the drawing				LN Number :	Tolerance (unless stated) : +/- 5 mm	Drawing : DS1417P	Page 1 of 1
Issue	Date	Drawn By	Approved By	Finish : n/a	Thickness : n/a		
01	28/04/2023	D. Musvaburi	D.M	Weight : See Table	Surface Area : n/a m ²	BioAir 4 IPS (12PE) Sales Drawing	
All Dimensions In mm				Scale: Do Not Scale	Modelled By : D.Owen	Material : Various	
Third Angle Projection				Kingspan Water & Energy reserve the right to alter the details of this drawing without prior notice. This drawing is copyright and may not be reproduced or used without the written permission of Kingspan Water & Energy			
A:\Depl\Wastewater\Engineering\Engineering Projects\962A - BioAir (Activated Sludge)\962A - Models\BioAir4\DS1417P				