

Notes:

1. This drawing is for 'Dimensional Information Only'. It is essential that this drawing is read in conjunction with the 'Installation Guidelines' supplied with the unit. (Copies available from our sales department).
2. All Pipe connections are  $\varnothing 110.0\text{mm PVCu}$ .
3. All units require appropriate 'Cover' & 'Frame' to suit site loadings (standard cover supplied).
4. Blower assembly mounted externally, within 13m of treatment plant.
5.  $\varnothing 160\text{mm}$  Inlet Option - By External Adaptor Only.

Unit Dimension Chart								
Unit	Dim 'A' (mm)	Dim 'B' (mm)	Dim 'C' (mm)	Dim 'D' (mm)	Dim 'E' (mm)	Dim 'F' (mm)	Dim 'G' (mm)	Unit Weight (Kgs)
BTAU2P2AK	1000	550	1700	2150	2700	1850	500	285
BTAU2P4AK	1500	550	1700	2650	3200	1850	500	305
BTAU3P2AK	1000	550	1700	2150	2700	1850	500	285
BTAU3P4AK	1500	550	1700	2650	3200	1850	500	305

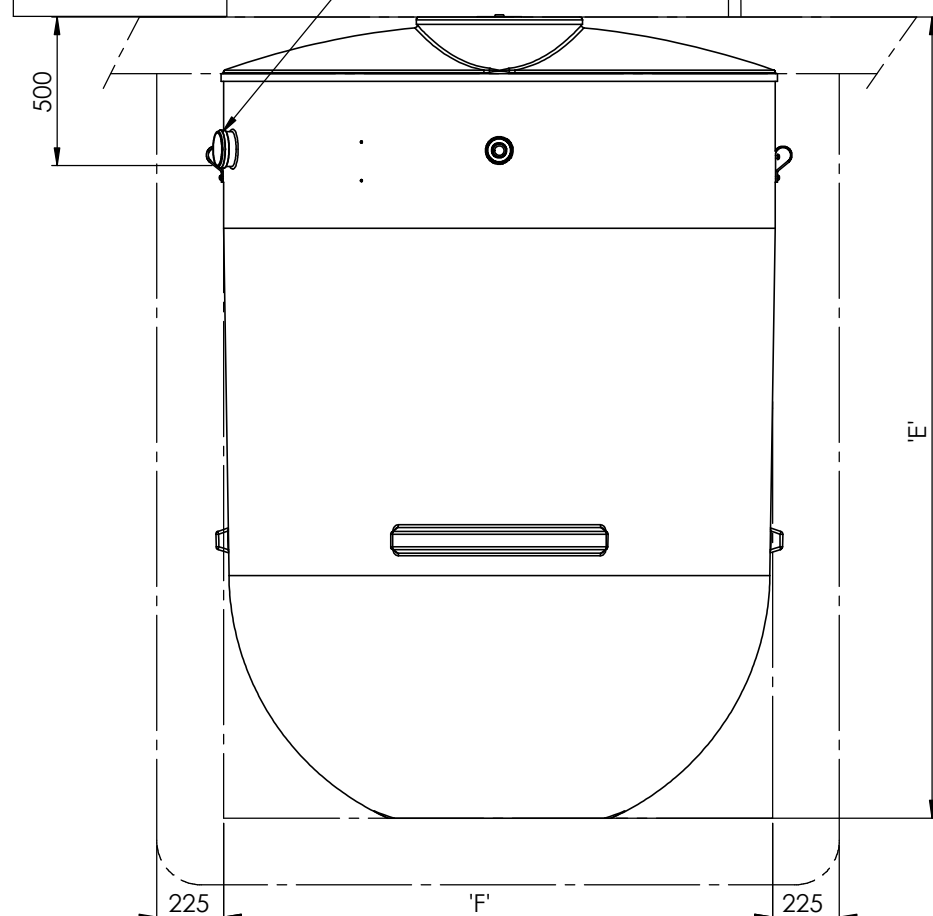
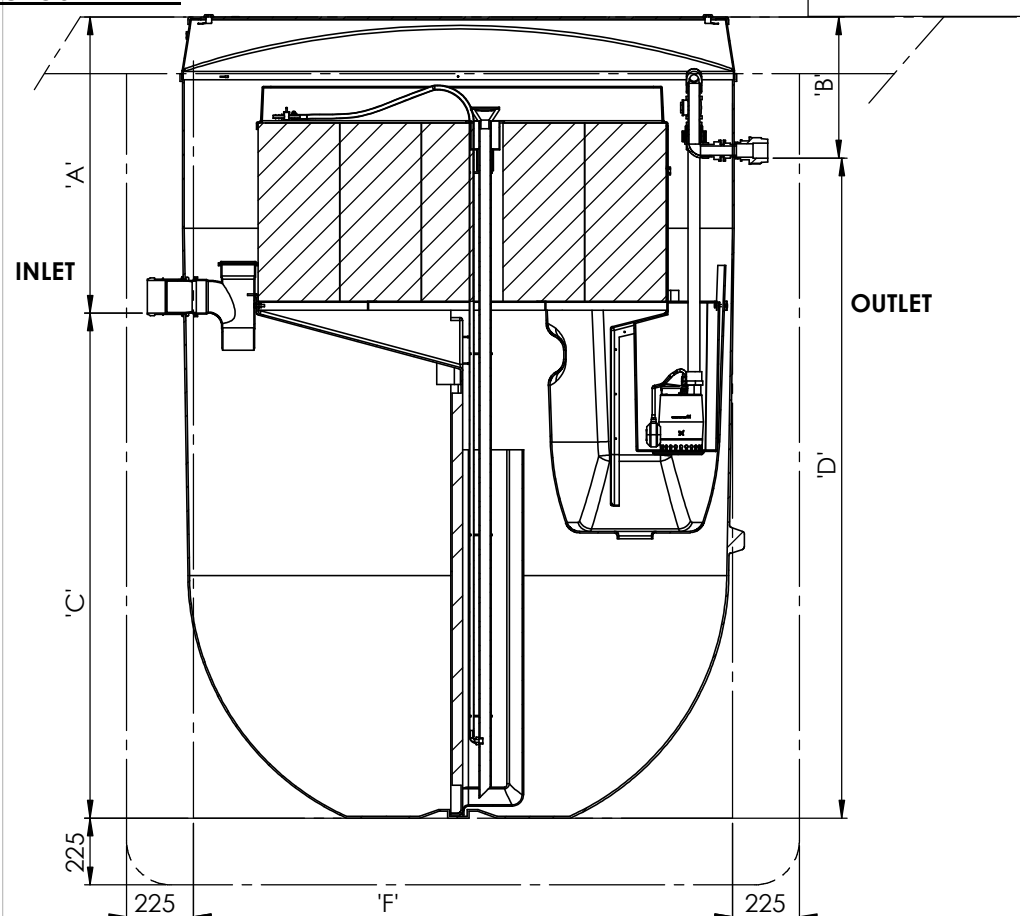
**BLOWER HOUSING with CONTROL PANEL**  
(If Applicable)

**BLOWER HOUSING with ISOLATOR**  
(If Applicable)

MAIN ISOLATOR  
C/W POWER  
FAILURE LIGHT

**CABLE DUCT & VENT**

GROUND LEVEL



Please check with Kingspan Water & Energy that this drawing is the latest issue				
Issue	Date	Drawn by	Approved by	Description
01	22.08.22	D. Musvaburi	D.M	Initial Issue - ECN 1624

LN Number :	Tolerance (unless stated) :
Finish :	Thickness : n/a
Weight : 1280.98 Kg	Surface Area : m <sup>2</sup>
Modelled By : Name	Material : Various

<b>Drawing : DS1385</b>
BTAU2 & BTAU3 Treatment Plant (IPS)

All Dimensions In mm    Scale: Do Not Scale

Third Angle Projection

A:\Dept\Wastewater\Engineering\Drawing Data\02 - Sales Drawings\DS\DS - 13\DS1385

Kingspan Water & Energy reserve the right to alter the details of this drawing without prior notice. This drawing is copyright and may not be reproduced or used without the written permission of Kingspan Water & Energy