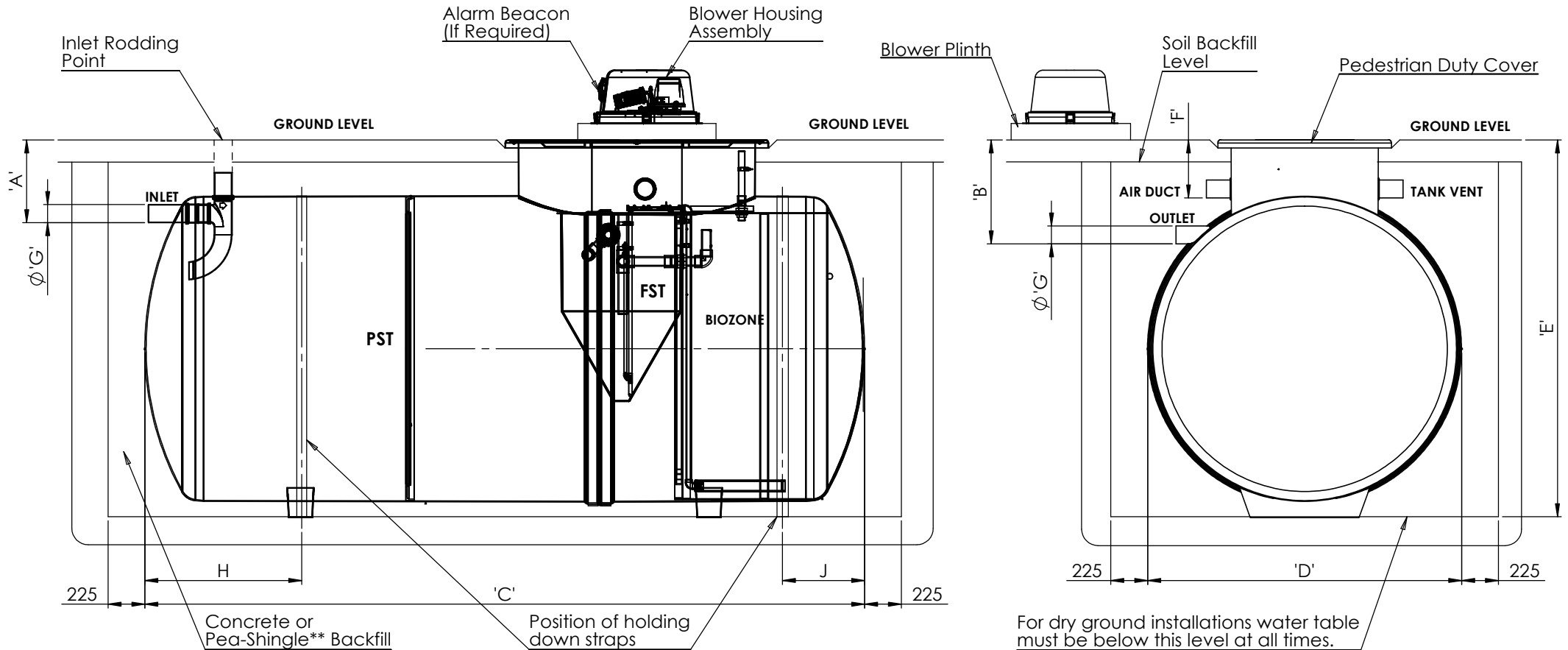


Notes:

1. This drawing is for 'Dimensional information Only', it is essential that this drawing is read in conjunction with the 'Installation Guidelines' supplied with the unit. (Copies available from our Sales Department)
2. All Vent & Duct pipe connections are Ø110mm PVCu.
3. All units require appropriate 'Cover & Frame' to suit site loadings (Standard pedestrian duty cover supplied).
4. PST = Primary Settlement Tank
5. BIOZONE = Biological Treatment Zone including media and diffuser.
6. FST = Final Settlement Tank
7. Blower located inside external housing.
8. Alarm beacon to be fitted to outside of blower housing (if applicable).
9. System requires suitable ventilation using vent ducts provided.
10. Main Access Cover Size - 1610mm x 1060mm Oval
11. BioFicient 6 unit is fitted with a separate Ø600mm neck towards the Inlet Pipe for Desludging.
12. **Pea-shingle backfill is reliant on use of correct strapping and anchoring.

Unit Ref	A' (mm)	B' (mm)	C' (mm)	D' (mm)	E' (mm)	F' (mm)	G' (mm)	H' (mm)	J' (mm)	Unit Weight (Kgs)
BIOFICIENT 4	500	630	3230	1920	2300	300	110	750	390	410
	1000	1130	3230	1920	2800	300	110			430
	1500	1630	3230	1920	3300	300	110			450
BIOFICIENT 5	500	630	4390	1920	2300	300	110	950	500	510
	1000	1130	4390	1920	2800	300	110			530
	1500	1630	4390	1920	3300	300	110			550
BIOFICIENT 6	500	630	6220	1920	2300	300	160	950	865	680
	1000	1130	6220	1920	2800	300	160			710
	1500	1630	6220	1920	3300	300	160			740



Please check with Kingspan Environmental that this drawing is the latest issue				Material : Various	Tolerance :	Drawing : DS1256P	Page 1 of 1
Issue	Date	Drawn by	Approved by	Finish :	Thickness : n/a		
02	19/05/15	JMcM		Description		BioFicient 4-6 Sales Drawing	
01	06/05/14	JMcM		CC1197 - Strapping Dimensions Added			
				Weight : 442.79 Kg Kgs	Surface Area :		
All dimensions in mm		Scale: Not to scale		Kingspan Environmental reserve the right to alter the details of this drawing without prior notice. This drawing is copyright and may not be reproduced or used without the written permission of Kingspan Environmental.			