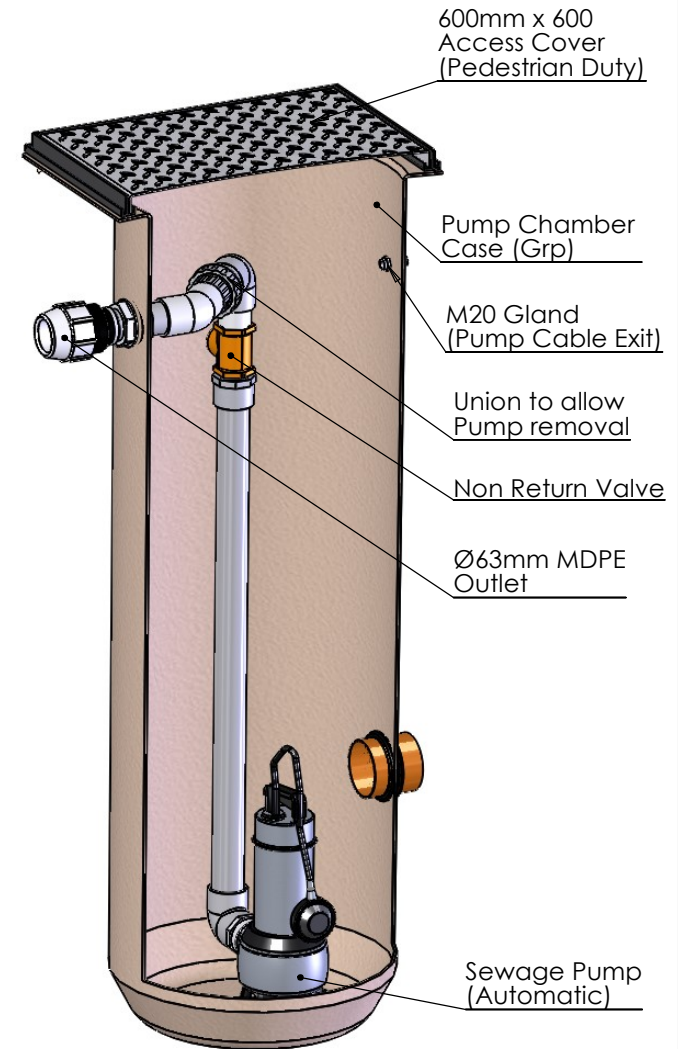
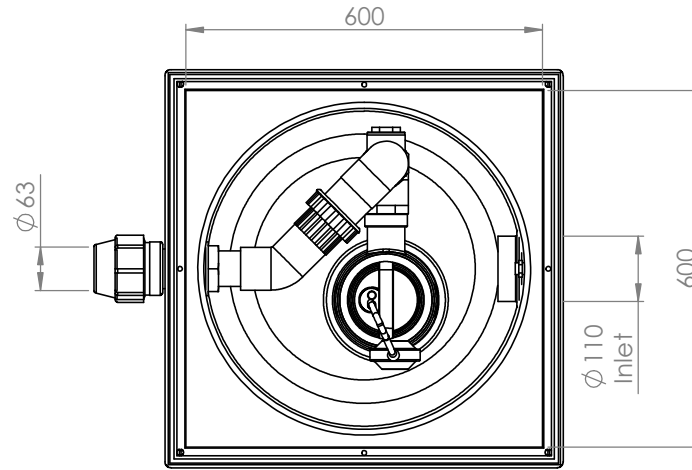


**Cover removed for clarity**



**Notes:**

- Pumpwell delivered with pump pre-fitted.
- Read Operating and Installation Guidelines before installing.

Please check with Kingspan Environmental that this drawing is the latest issue

Issue	Date	Drawn by	Approved by	Description
02	21/07/17	WMD		CC1382 - Pump revision
01	09/11/12	JMcM		Initial Release

Material : Various  
Finish :  
Weight : 42.30 Kg Kgs

Tolerance :  
Thickness : n/a  
Surface Area :

**Drawing : DS1209P** Page 1 of 1  
Mini Pump Chamber Assembly - Sewage Pump

All dimensions in mm

Scale: Not to scale

Kingspan Environmental reserve the right to alter the details of this drawing without prior notice. This drawing is copyright and may not be reproduced or used without the written permission of Kingspan Environmental.

