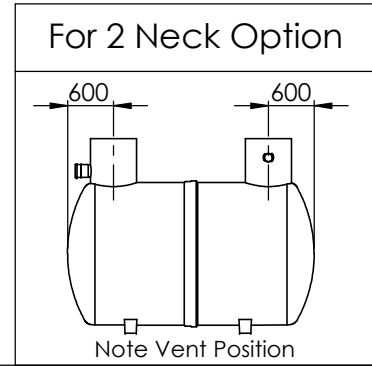
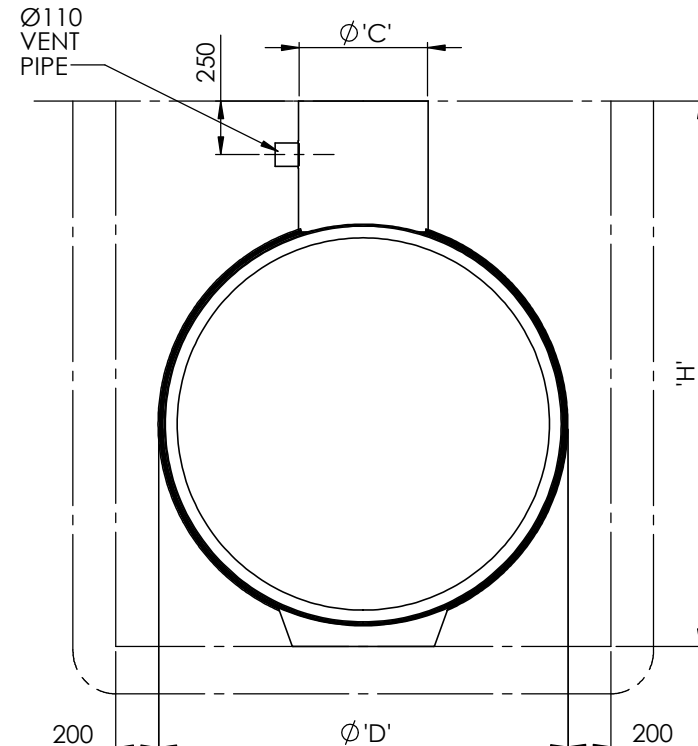
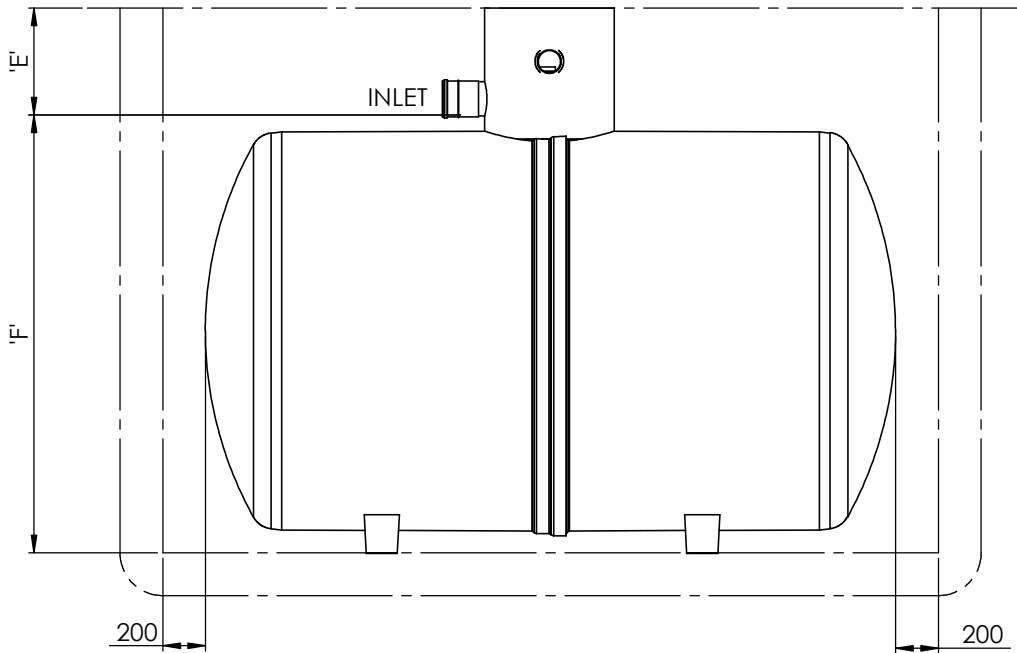


Product Information Table										
Product	Volume (L)	Empty Weight (kg)	Dimensions (mm)							
			'A'	'B'	'C'	'D'	'E'	'F'	'G' SEE NOTES	'H'
SLH028	2800	165	3020	1510	Ø460	Ø1225	500	1330	Ø110	1830
SLH038	3800	185	3900	1950	Ø460	Ø1225	500	1330	Ø110	1830
SLH048	4800	195	3775	1888	Ø600	Ø1425	500	1525	Ø110	2025
SLH057	5700	205	4275	2138	Ø600	Ø1425	500	1525	Ø110	2025
SLH071	7150	280	3230	1615	Ø600	Ø1920	500	2050	Ø160	2550
SLH091	9150	325	3965	1983	Ø600	Ø1920	500	2050	Ø160	2550

Notes:

1. Tanks have an inlet invert depth of 0.5m as standard. Upon request this may be extended up to 1.5m via neck GRP riser pieces.
2. This drawing should be used for dimensional information only. Refer to installation guidelines for full tank installation.
3. Confirm with local building regulations if additional venting is required.
4. If backfilling with peashingle the tank must be strapped down using suitable anchoring points and strapping (others)
5. SLH028, 038, 048 & 057 are available with Ø160mm pipework. SLH071 & 091 are available with Ø110mm pipework although Ø160mm is recommended.



Please check with Kingspan Environmental that this drawing is the latest issue				
Issue	Date	Drawn by	Approved by	Description
04	01/03/18	W.DYER		CC1422
03	16.01.15	T.Kelly		CC1215 - Options Added : Note 5 Updated
02	27.08.14	T.Kelly		CC1189 - Vent Pipe Added

Material : Various	Tolerance :
Finish :	Thickness : n/a
Weight : See Table	Surface Area :

Drawing : DS1220 Page 1 of 1
 SLH - Shallow Dig Silage Tanks

All dimensions in mm Scale: Not to scale

Kingspan Environmental reserve the right to alter the details of this drawing without prior notice. This drawing is copyright and may not be reproduced or used without the written permission of Kingspan Environmental.



Y:\Drawing Data\02 - Sales Drawings\DS\DS - 12\DS1220