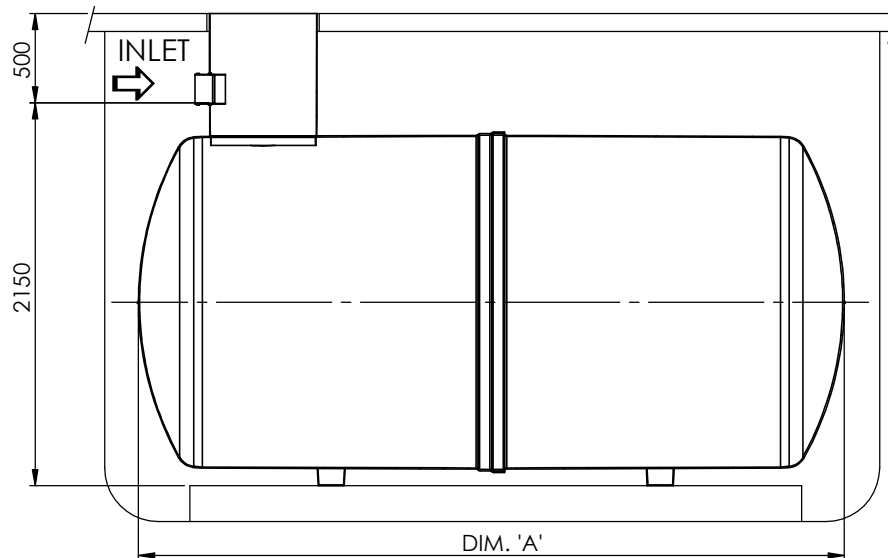


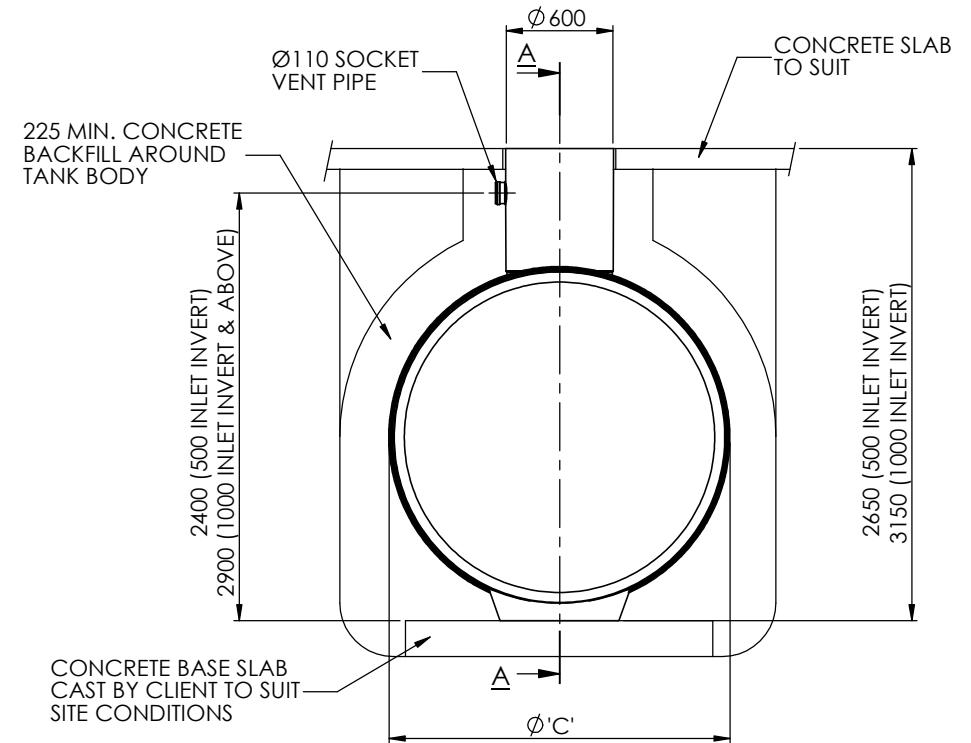
NOTES:-

1. UNITS CAN BE PROVIDED WITH EXTENSION SHAFTS IN 0.5m INCREMENTS.
2. STANDARD INLET/OUTLET PIPES ARE 160mm DIA. PVCu UNDERGROUND DRAINAGE TO BS 4660. FOR OTHER PIPE SIZES AVAILABLE CONSULT SALES.
3. IT IS ESSENTIAL THAT THIS DRAWING IS READ IN CONJUNCTION WITH GUIDELINES SUPPLIED WITH UNIT GIVING INSTALLATION DETAILS. THIS DRAWING SHOULD BE USED FOR DIMENSIONAL INFORMATION ONLY.

UNIT	WORKING CAPACITY (Litres)	DIM. 'A'	DIM. 'B'	DIA. 'C'	APPROX. WEIGHT (kg)	
					EMPTY	FULL
CPS/SLS100	10000	3960	700	1917	390	10390
CPS/SLS120	12000	4750	700	1917	440	12440
CPS/SLS150	15000	5780	700	1917	540	15540



SECTION A-A



Please Check with Kingspan Environmental For The Latest Issue Of This Drawing				
Issue	Date	Drawn by	Approved by	Description
03	18.07.19	J.Belovic		CC1494 - Removing 19000L Tanks
02	30.10.14	T.Kelly		CC1179 - Redrawn in SolidWorks with New Cases

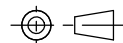
Material : Various
 Finish :
 Weight : 321.92 Kg
 Modelled By : Name

Tolerance (unless stated) :
 Thickness : n/a
 Surface Area : m²

Drawing : DS0991P Page 1 of 1
 10,000L To 15,000L Cesspool & Silage Tanks

All Dimensions In mm

Scale: Do Not Scale



Third Angle Projection

Z:\Drawing Data\02 - Sales Drawings\DS\DS - 09\DS0991P - 10000L To 15000L Cesspool & Silage Tanks

Kingspan Environmental reserve the right to alter the details of this drawing without prior notice. This drawing is copyright and may not be reproduced or used without the written permission of Kingspan Environmental

