

COMPENSATING CLAMPS

MIKALOR



Worm Drive Constant Tension – S-Band

The main difference between the W3 constant tension worm-drive and the standard Mikalor worm-drive is to be found in the inner-ring insert incorporating a spring. This spring-loaded insert maintains constant pressure around the hose in case of sudden changes in temperature and/or vibration thereby avoiding leaks.

Worm Drive Constant Tension Clamps – Other Features

The fact that this clamp guarantees leak-proof hose assemblies with both gaseous fluid and liquids makes it ideal for applications in car, tractor or heavy machinery engines. Moreover the non-perforated cold formed band together with the rounded band edges make sure that no damage occurs to the hose. The clip complies fully with the DIN 3017 norm and also with the RoHs directive EU/2002/95/EC dated 1st July 2006.

Applications

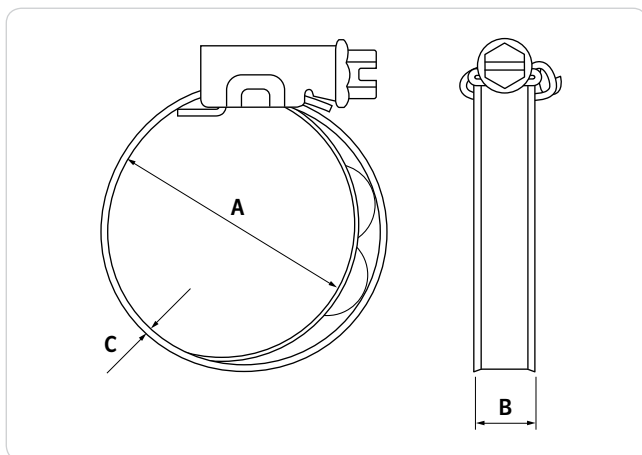
- Automotive
- Agriculture
- Heavy Machinery
- Engines

Materials – see section 7.2

- **W3** 430 SS

HCL Part No	Diameter Range (A) mm	Band Width (B) mm	Band Thickness (C) mm	Max Pressure Bar	Max Torque	Box Quantity
WD-CT-MIK-20	20 – 32	12.2	0.80	47	5.5	100
WD-CT-MIK-25	25 – 40					
WD-CT-MIK-30	30 – 45					
WD-CT-MIK-40	40 – 60					
WD-CT-MIK-50	50 – 70					
WD-CT-MIK-60	60 – 80					
WD-CT-MIK-70	70 – 90					
WD-CT-MIK-80	80 – 100					
WD-CT-MIK-90	90 – 110					
WD-CT-MIK-100	100 – 120					
WD-CT-MIK-110	110 – 130					

All weights, dimensions & quantities are subject to a 2.5% tolerance.
To add material selection to the HCL Part No: for W1, add "W1".



Installation Tools



MT-D-01



MT-TD-01