

WORM DRIVE & SCREW CLAMPS



Double Wire Screw Hose Clamp

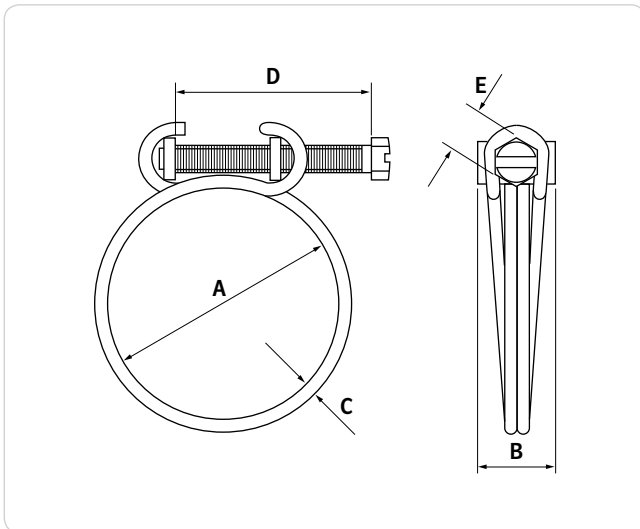
HCL's Double Wire Screw Clamps are highly suited to soft and semi-rigid hoses, with spiral or braided reinforcement; as well as aluminium foil ducting.

Applications

- Agricultural
- Automotive
- HVAC
- Irrigation
- General Industry

Materials – see section 7.2

- **W1** Zinc Plated Steel



Installation Tools



MT-D-01



MT-TD-01

HCL Part No	Diameter Range (A) mm	Clamp Width (B) mm	Wire Diameter (C) mm	Hex Screw Length (D) mm	Hex Screw A/F (E) mm
DWS-012	9.5 – 12.0	11.0	1.5	20.0	5.5
DWS-014	11.5 – 14.0		1.8	25.0	
DWS-016	13.0 – 16.0				
DWS-018	15.0 – 18.0				
DWS-020	17.0 – 20.0	14.0	2.0	30.0	7.0
DWS-023	19.0 – 23.0		2.2		
DWS-025	21.5 – 25.0				
DWS-027	23.5 – 27.0				
DWS-029	25.0 – 29.0				
DWS-031	27.0 – 31.0				
DWS-033	29.0 – 33.0				
DWS-035	30.5 – 35.0				
DWS-037	33.0 – 37.0	15.0	2.5	40.0	8.0
DWS-040	35.5 – 40.0				
DWS-043	38.5 – 43.0				
DWS-046	41.0 – 46.0				
DWS-049	43.5 – 49.0	18.0	2.8	50.0	10.0
DWS-053	46.5 – 53.0				
DWS-056	50.5 – 56.0				
DWS-060	53.5 – 60.0				
DWS-064	56.5 – 64.0		3.0		
DWS-068	60.0 – 68.0				
DWS-072	64.0 – 72.0				
DWS-076	68.5 – 76.0				
DWS-080	72.5 – 80.0				
DWS-084	76.5 – 84.0				
DWS-088	80.0 – 88.0	70.0			
DWS-092	84.0 – 92.0				
DWS-100	92.0 – 100.0				
DWS-108	98.0 – 108.0				
DWS-112	103.0 – 112.0	70.0			
DWS-120	111.0 – 120.0				
DWS-124	115.0 – 124.0				
DWS-128	120.0 – 128.0				
DWS-140	125.0 – 140.0	70.0			
DWS-150	134.0 – 150.0				
DWS-160	145.0 – 160.0				
DWS-170	155.0 – 170.0				
DWS-180	165.0 – 180.0	70.0			
DWS-190	175.0 – 190.0				

All weights, dimensions & quantities are subject to a 2.5% tolerance.
To add material selection to the HCL Part No: for W1, add "W1".