

# HEAVY DUTY CLAMPS



## Hydraulic Hose Clip – Bolt & Barrel

HCL's Heavy Duty Bolt & Barrel Hose Clamps are manufactured in Italy to the highest standard. These Hydraulic hose clips are designed for high performance applications, such as the sealing of suction and pressure hoses. The band has a smooth underside and bevelled edges, protecting the hose from damage. The bolt is directly engaged in the barrel and can be fastened with an electric or pneumatic tool.

### Applications

#### W2

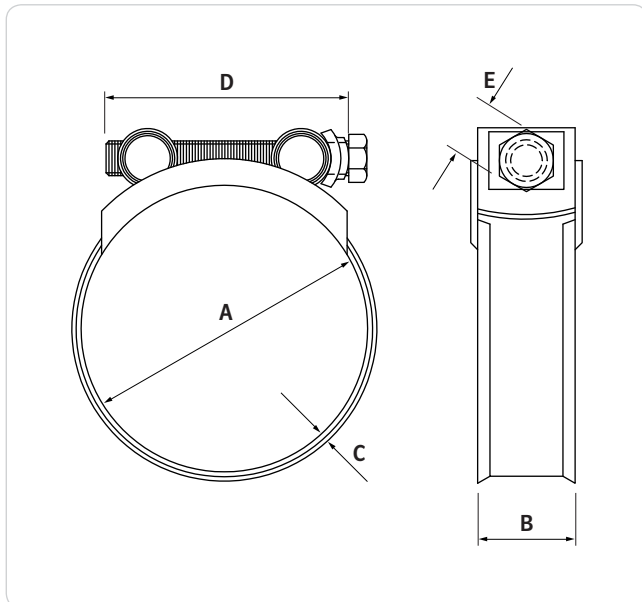
- Construction Equipment
- Drainage
- Irrigation
- Tankers

#### W4 / W5

- Chemical Industry
- Food Processing
- Shipyards

### Materials – see section 7.2

- **W2** Bolt – Zinc Plated Steel  
Band/Bridge – 430 SS
- **W4** 304 SS
- **W5** 316 SS



HCL Part No	Diameter Range (A) mm	Band Width (B) mm	Band Thickness (C) mm	Hex Screw Length (D) mm	Hex Screw A/F (E) mm	Max Torque Nm	Box Quantity
BBC-26-ATL	26 – 28	21.0	0.8	50.0	10.0	10.4	100
BBC-29-ATL	29 – 31						
BBC-32-ATL	32 – 35						
BBC-36-ATL	36 – 39						
BBC-40-ATL	40 – 43						
BBC-44-ATL	44 – 47			60.0			
BBC-48-ATL	48 – 51						
BBC-52-ATL	52 – 55						
BBC-56-ATL	56 – 59						
BBC-60-ATL	60 – 63						
BBC-64-ATL	64 – 67	24.0	1.2	70.0	13.0	24.6	
BBC-68-ATL	68 – 73						
BBC-74-ATL	74 – 79						
BBC-80-ATL	80 – 85						
BBC-86-ATL	86 – 91						
BBC-92-ATL	92 – 97			90.0			
BBC-98-ATL	98 – 103						
BBC-104-ATL	104 – 134						
BBC-113-ATL	113 – 121						
BBC-122-ATL	122 – 130						
BBC-131-ATL	131 – 139	26.0	1.5	100.0	17.0	50.1	
BBC-140-ATL	140 – 148						
BBC-149-ATL	149 – 161						
BBC-162-ATL	162 – 174						
BBC-175-ATL	175 – 187						
BBC-188-ATL	188 – 200						
BBC-201-ATL	201 – 213						
BBC-214-ATL	214 – 226						
BBC-227-ATL	227 – 239						
BBC-240-ATL	240 – 252						

All weights, dimensions & quantities are subject to a 2.5% tolerance.  
To add material selection to the HCL Part No: for W2, add "W2".