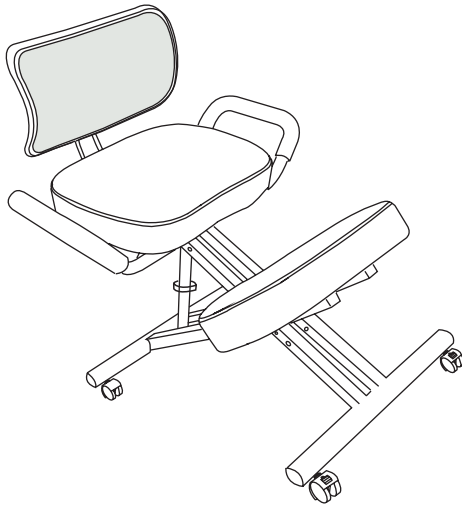


DRAGONN

Gray Kneeling Chair with Back Support

Instruction Manual



SKU: DN-CH-K02G



Scan the QR code with your mobile device or follow the link for helpful videos and specifications related to this product.

<https://idragonn.com/products/ergonomic-kneeling-chair-with-back-support-adjustable-stool-for-home-and-office-improve-your-posture-with-an-angled-seat-thick-comfortable-cushions-gray>

GET IN TOUCH | Monday-Friday from 7:00am-7:00pm CST



help@idragonn.com



www.idragonn.com
Chat live with an agent!



309-278-5303

WARNING!

If you do not understand these directions, or if you have any doubts about the safety of the installation, please call a qualified technician. Check carefully to make sure there are no missing or defective parts. Improper installation may cause damage or serious injury. Do not use this product for any purpose that is not explicitly specified in this manual. Do not exceed weight capacity. We cannot be liable for damage or injury caused by improper mounting, incorrect assembly or inappropriate use.

WARNING: CHOKING HAZARD

SMALL PARTS - NOT FOR CHILDREN UNDER 3 YEARS. ADULT SUPERVISION IS REQUIRED.

WARNING: THIS PRODUCT CAN RESTRICT CIRCULATION TO LEGS WITH PROLONGED USE.



A (x1)
Seat Pad



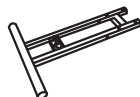
B (x1)
Knee Pad



C (x1)
Back Seat Pad



D (x1)
Upper Frame



E (x1)
Lower Frame



F (x6)
M6x12



G (x6)
M6x20 Panhead
Screw



H (x4)
M6x40



I (x8)
M6x20



J (x2)
Caster



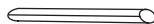
K (x2)
Locking
Caster



L (x1)
Short Sleeve
Nut



M (x1)
Medium
Sleeve Nut



N (x1)
Long Sleeve
Nut



O (x1)
Allen Wrench



P (x1)
Wrench



Q (x1)
Adjustable



R (x2)
Grip Handle



S (x1)
Back Seat
Support



T (x2)
M6x25



U (x1)
Back Seat Hinge



Drill



Phillips

DO NOT EXCEED WEIGHT CAPACITY.

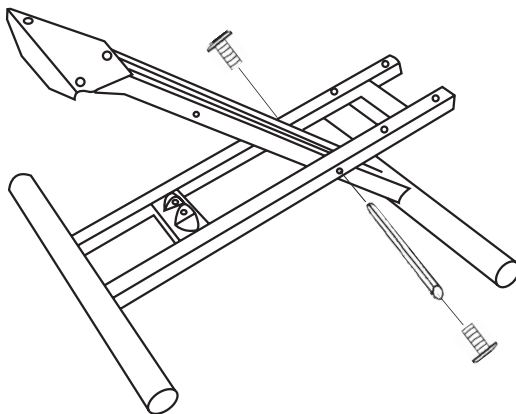
Failure to do so may result in serious injury.



ASSEMBLY STEPS

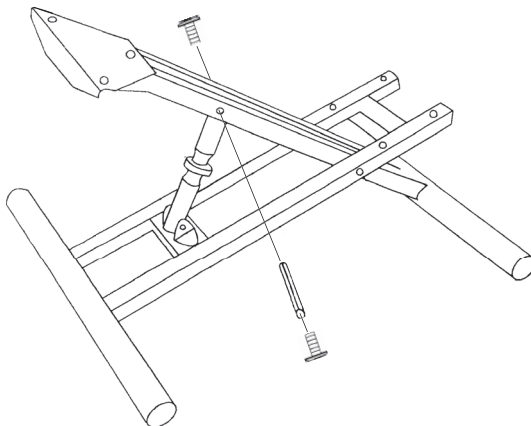
STEP 1

Insert upper frame (**D**) into lower frame (**E**) and align front holes to one of three positions, depending on the user leg length. Assemble frames using the long sleeve nut (**N**) with x2 M6x12 screws (**F**) and tighten using the Allen wrench (**O**).



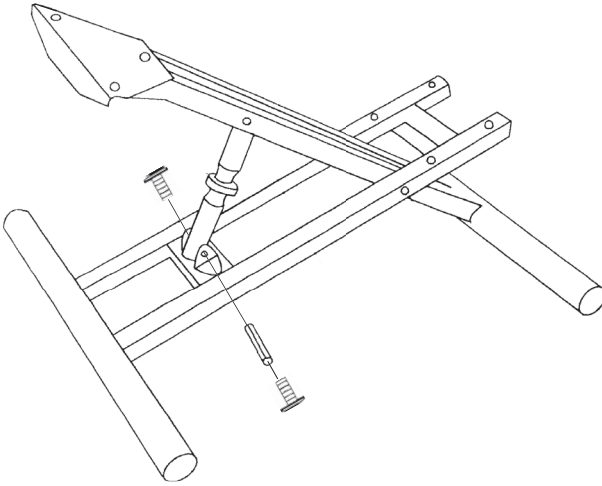
STEP 2

Assemble adjustable support (**Q**) to rear of upper frame (**D**) using medium sleeve nut (**M**) with x2 M6x12 screws (**F**) and tighten using the Allen wrench (**O**).



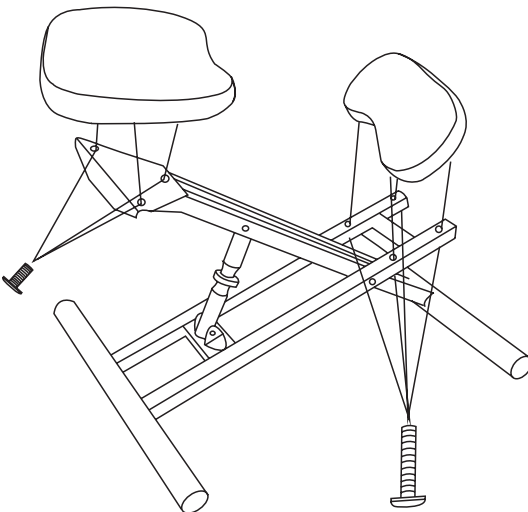
STEP 3

Connect adjustable support (**Q**) to rear of lower frame (**E**) using short sleeve nut (**L**) with x2 M6x12 screws (**F**) and tighten using the Allen wrench (**O**).



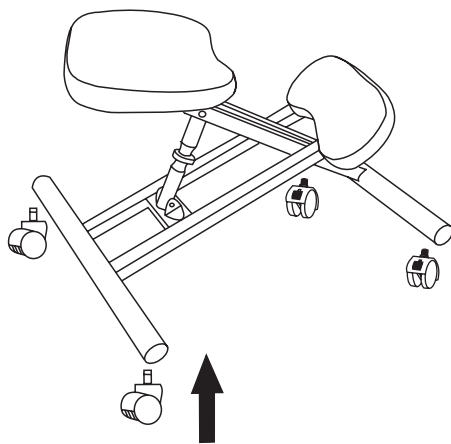
STEP 4

Assemble seat pad (**A**) to rear of upper frame (**D**) using x3 M6x20 pan head screws (**G**), and knee pad to front of lower frame (**E**) using M6x40 screws (**H**). Tighten all screws with the Allen wrench (**O**).



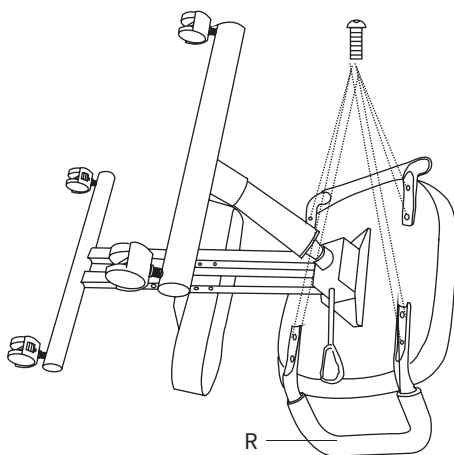
STEP 5

Press fit casters (**J**, **K**) into holes on underside of the frames.



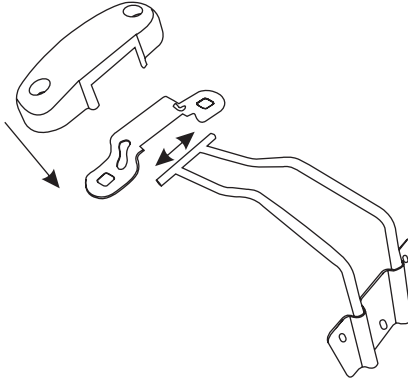
STEP 6

Assemble grip handles (**R**) to seat pad (**A**) using M6x20 screws (**I**).



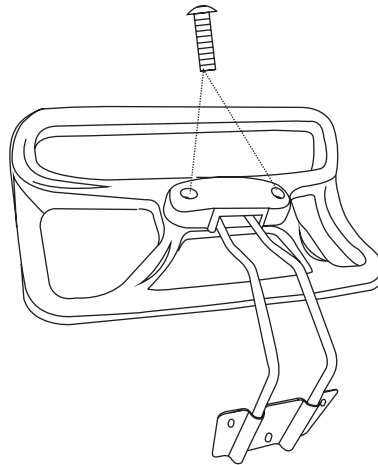
STEP 7

Insert end of back seat support (**S**) into slots in back seat hinge (**U**), then place cover on the hinge.



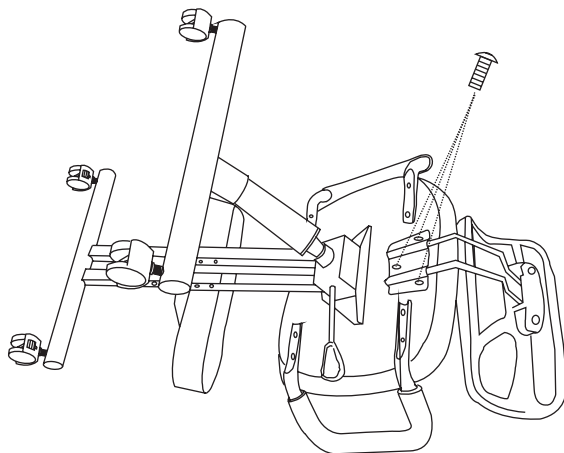
STEP 8

Secure back seat support (**S**) with back seat hinge and cover (**U**) to back seat pad (**C**) using M6x25 screws (**T**). Tighten with the Allen wrench (**O**).



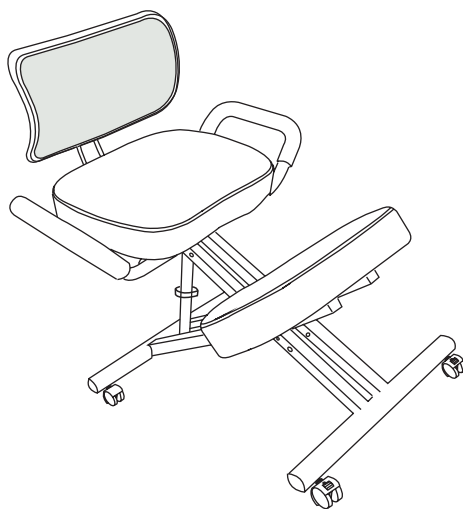
STEP 9

Attach back seat assembly to seat pad **(A)** using x3 M6x20 pan head screws **(G)**. Tighten with the Allen wrench **(O)**.



STEP 10

Adjust seat height and angle by turning the knob on the adjustable support **(Q)**.





Love your new Dragonn setup and want to share?
Tag us in your photo! **@dragonnbrands**

LAST UPDATED: 07/03/2020



Open **Monday - Friday 7:00am - 7:00pm** CST,
our dedicated support team can offer immediate assistance with rapid response times. If any parts are received damaged or defective, please contact us. We are happy to replace parts to ensure you have a fully functioning product.



help@idragonn.com



www.idragonn.com
Chat live with an agent!



309-278-5303

FOR MORE DRAGONN PRODUCTS, CHECK OUT OUR WEBSITE AT: www.idragonn.com