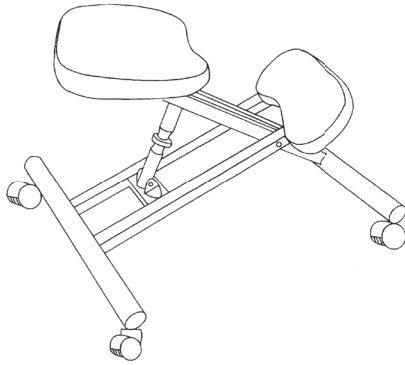


DRAGONN

Black Ergonomic Kneeling Chair

Instruction Manual



SKU: DN-CH-K01B



Scan the QR code with your mobile device or follow the link for helpful videos and specifications related to this product.

<https://idragonn.com/collections/products/products/dragonn-ergonomic-kneeling-chair>

GET IN TOUCH | Monday-Friday from 7:00am-7:00pm CST



help@idragonn.com



www.idragonn.com
Chat live with an agent!



309-278-5303

WARNING!

If you do not understand these directions, or if you have any doubts about the safety of the installation, please call a qualified technician. Check carefully to make sure there are no missing or defective parts. Improper installation may cause damage or serious injury. Do not use this product for any purpose that is not explicitly specified in this manual. Do not exceed weight capacity. We cannot be liable for damage or injury caused by improper mounting, incorrect assembly or inappropriate use.

WARNING: CHOKING HAZARD

SMALL PARTS - NOT FOR CHILDREN UNDER 3 YEARS. ADULT SUPERVISION IS REQUIRED.

 **WARNING:** THIS PRODUCT CAN RESTRICT CIRCULATION TO LEGS WITH PROLONGED USE.

PACKAGE CONTENTS



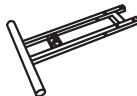
1 (x1)
Seat Pad



2 (x1)
Knee Pad



3 (x1)
Upper Frame



4 (x1)
Lower Frame



5 (x1)
Adjustable Support



6 (x4)
Caster



7 (x1)
Long Sleeve Nut



8 (x6)
Short Screw



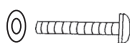
9 (x1)
Medium Sleeve Nut



10 (x1)
Short Sleeve Nut



11 (x3)
Medium Screw with Washer



12 (x4)
Long Screw with Washer



13 (x2)
Allen Wrench

TOOLS NEEDED



**Phillips
Screwdriver**

DO NOT EXCEED WEIGHT CAPACITY.

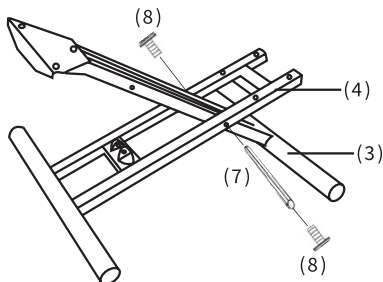
Failure to do so may result in serious injury.



ASSEMBLY STEPS

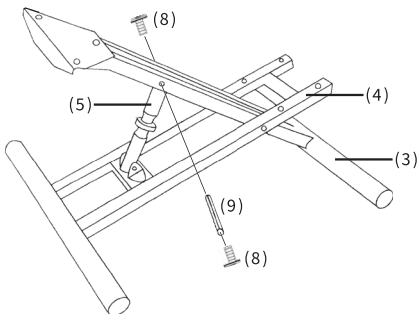
STEP 1

Insert upper frame **(3)** into lower frame **(4)** and align front holes to one of three positions, depending on the user leg length. Assemble frames using the long sleeve nut **(7)** with x2 short screws **(8)** and tighten using the Allen wrenches **(13)**.



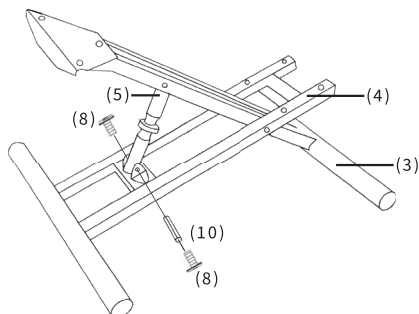
STEP 2

Assemble adjustable support (5) to rear of upper frame (3) using medium sleeve nut (9) with x2 short screws (8) and tighten using the Allen wrenches (13).



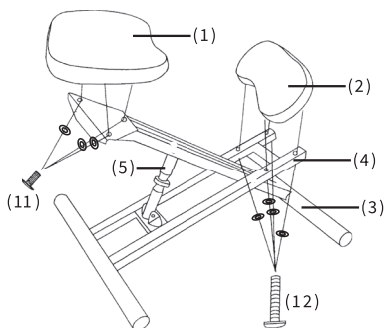
STEP 3

Connect adjustable support (5) to rear of lower frame (4) using short sleeve nut (10) with x2 short screws (8) and tighten using the Allen wrenches (13).



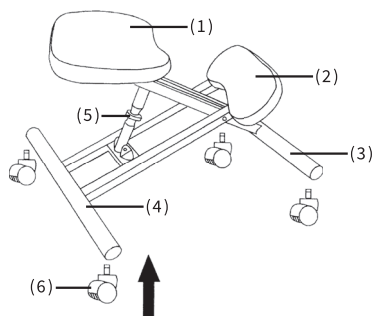
STEP 4

Assemble seat pad (1) to rear of upper frame (3) using medium screws with washers (11), and knee pad to front of lower frame (4) using long screws with washers (12). Tighten all screws with the Allen wrench (13).



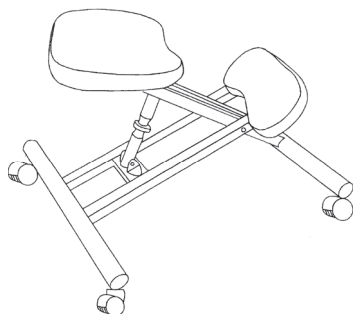
STEP 5

Press fit casters (6) into holes on underside of the frames.



STEP 6

Adjust seat height and angle by turning the knob on the adjustable support (5).





Love your new Dragonn setup and want to share?

Tag us in your photo! **@dragonnbrands**

LAST UPDATED: 07/03/2020



Open **Monday - Friday 7:00am - 7:00pm** CST,

our dedicated support team can offer immediate assistance with rapid response times. If any parts are received damaged or defective, please contact us. We are happy to replace parts to ensure you have a fully functioning product.



help@idragonn.com



www.idragonn.com

Chat live with an agent!



309-278-5303

FOR MORE DRAGONN PRODUCTS, CHECK OUT OUR WEBSITE AT: www.idragonn.com