



**WI-PS205**  
**6-Port 48V 100Mbps Long Range PoE**  
**Switch with 4-Port PoE**  
**Data sheet**

## Highlights

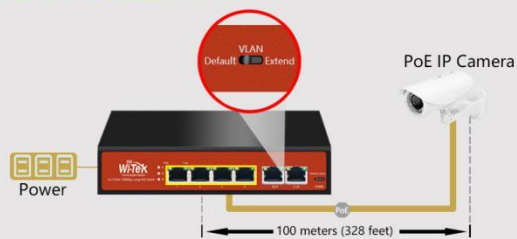
- 6 100Mbps Ports with 4 PoE ports, 2Up-link Ports
- Support Smart PoE Watchdog function
- Port 1 supports 802.3bt 60W Hi PoE
- Supports PoE power up to 30W for Port 2-4
- Supports PoE IEEE 802.3af/at/bt compliant PDs
- Internal power adapter supply 65W output power
- Support 250meters Long range PoE transmit
- Support Port VLAN(Port isolation)
- Support Wall-Mount installation
- 2K entry MAC address table with auto-learning and auto-aging

## Product

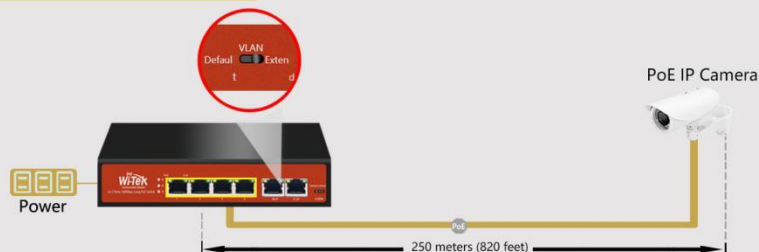


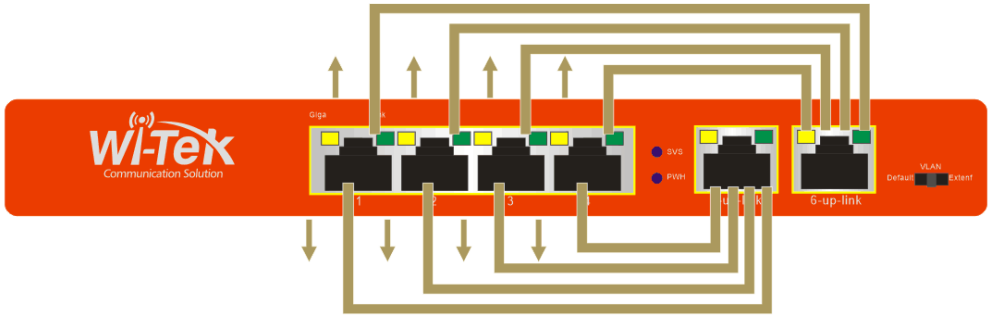
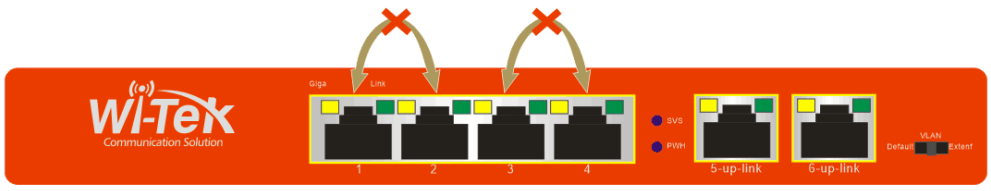
## Typical Applications

### Standard PoE Mode



### Extend PoE Mode





Monitors compliant PD with smart watchdog function.

Step 1



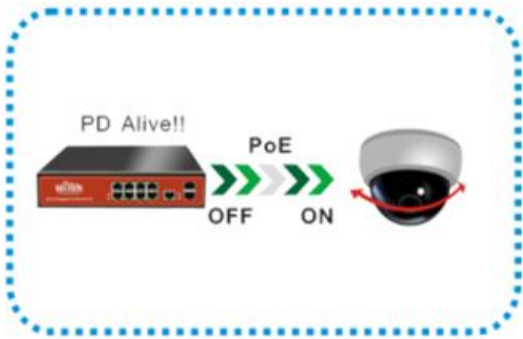
Step 2

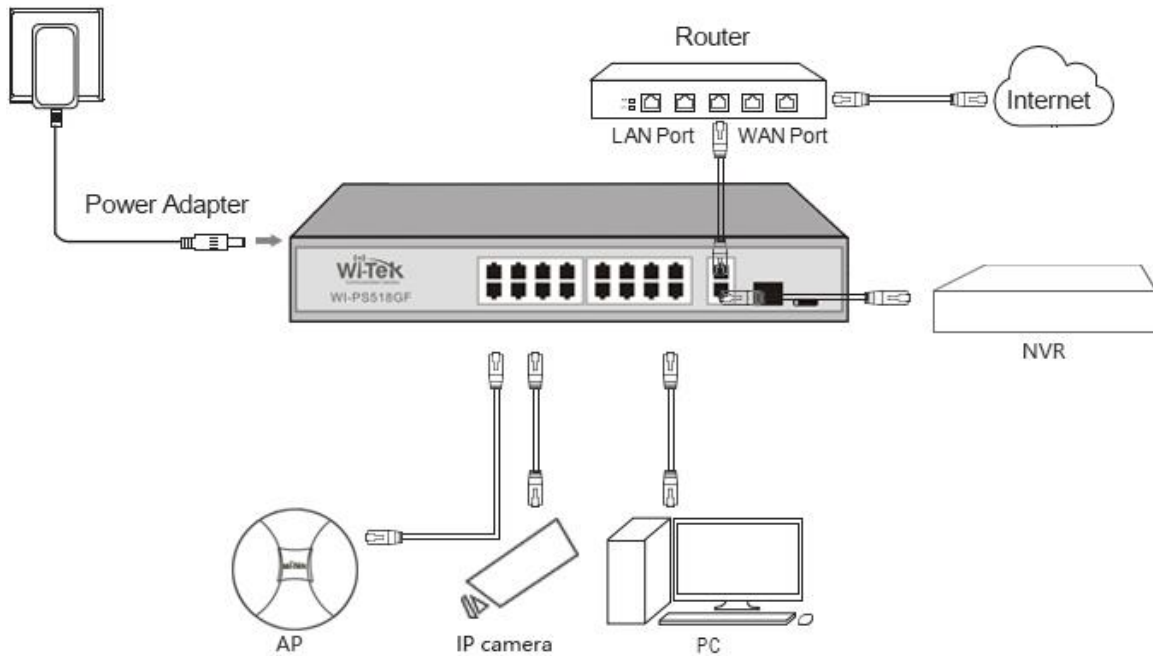


Step 3



Step 4





## Description

### what this product does

WI-PS205 is a 6-port 10/100Mbps unmanaged switch that requires no configuration and provides 4 PoE Ports. The 6-Port 10/100Mbps desktop switch provides an easy way to expand your wired network. All 6 ports support auto-MDI/MDIX, eliminating the need to worry about the type of cable to use. Featuring full duplex mode, the WI-PS205 can process data at a rate of up to 200Mbps making it an ideal choice for expanding your high performance wired network. Moreover, WI-PS205 Support 250meters Long range PoE Transmit via Cat5/Cat6 cable. with innovative energy-efficient technology, the WI-PS205 can save up to 68% of power consumption, making it an eco-friendly solution for your home or office network. WI-PS205 also support PoE Watchdog function which will

detect Camera or Wireless AP system halted then restart PoE Port automatic to alive halted device; WI-PS205 first PoE Port support 60W Hi-PoE output, to easy power up High-Speed PTZ camera.

## High Performance

WI-PS205 Fast Ethernet Switch provides 6 10/100Mbps Auto-Negotiation RJ45 ports. All ports support Auto MDI/MDIX function, eliminating the need for crossover cables or Uplink ports. Featuring non-blocking switching architecture, WI-PS205 forwards and filters packets at full wire-speed for maximum throughput. With 10K Jumbo frame, the performance of large files transfers is improved significantly. And IEEE 802.3x flow control for Full Duplex mode and backpressure for Half Duplex mode alleviate the traffic congestion and make WI-PS205 work reliably.

## Easy to Use

The auto features of this Ethernet switch make installation plug and play and hassle-free. No configuring is required. Auto MDI/MDIX eliminates the need for crossover cables. Auto-negotiation on each port senses the link speed of a network device (10, 100 Mbps) and intelligently adjusts for compatibility and optimal performance.

## Specifications

HARDWARE FEATURES	
<b>Interface</b>	6 10/100Mbps RJ45 Ports
<b>Network Media</b>	10/100BASE-TX: UTP category 5 or better (maximum 250m)

## HARDWARE FEATURES

<b>Fan Quantity</b>	Fanless
<b>Power Budget</b>	65W
<b>Internal Power Supply</b>	AC110-240V
<b>PoE Ports (RJ45)</b>	Standard: 802.3 af/at/bt compliant PoE Ports: Port1- Port4 Power Supply: 65W
<b>Backplane Bandwidth</b>	1.2Gbps
<b>Mac Address Table</b>	2K
<b>Packet Forwarding Rate</b>	900Kpps
<b>Buffer</b>	768Kb
<b>Jumbo Frame</b>	10240Bytes
<b>Dimensions</b>	190mm*130mm*35mm (L*W*H)
<b>Protection Leve</b>	Lightning protection 6KV 6KV ESD Contact discharge

## SOFTWARE FEATURES

<b>Transmission Method</b>	Store-And-Forward
<b>Advanced Functions</b>	Priority Function Mac Address Auto-Learning And Auto-Aging Store and forward IEEE 802.3x flow control for Full-duplex Mode Backpressure for Half-duplex Mode

## OTHERS

<b>Certification</b>	CE, FCC, RoHS
<b>Package Contents</b>	POE Switch Electric Line Wall-Mount Kit Guide Book/Warranty Card
<b>Environment</b>	Operating Temperature: -10°C~55°C



WIRELESS-TEK TECHNOLOGY LIMITED  
www.wireless-tek.com  
Email: sales@wireless-tek.com  
Technical Support: tech@wireless-tek.com