

DH-PFM907

Integrated Mount Tester



- Supports HDCVI, AHD, HDTV and CVBS digital surveillance system.
- PoE or 12 VDC power supply.
- Support Onvif protocol to configure IP address.
- Audio/RS-485 control.
- Digital multimeter function.
- TDR network cable test.
- Wi-Fi signals test.



System Overview

Powered by Linux system, the Integrated Mount Tester is a highly accurate test tool that aids in on-the-spot installation and maintenance of video surveillance devices. It boasts a 7-in touchscreen that is easy to use and comfortable to the touch. It supports a host of features needed in modern security construction projects, such as IPC, HDCVI, AHD, TVI, and CVBS monitor video display, HDMI input and output, TDR network cable test, Wi-Fi signal testing, digital multimeter, and optical power meter test functions.

Technical Specification

System

Operation System	Linux
Language	13 languages including Chinese and English
Operation mode	Touchscreen
Auto Standby/Power Off	Off/5–60min
Keyboard Sound	On/Off
Display Screen	7-in 16.7M color TFT touch screen, RGB interface lcd display: 1920 × 1200, backlight brightness adjustable
Button	Keypad: 13 keys Others: On-off button
LED	2
Wi-Fi	Frequency: 2.4G/5G Protocol: IEEE 802.11a/n/ac
Update	Supports online and local update

Structure&Environment

Net Weight	0.93kg (2.05 lb)
Product Dimensions	235.0 mm × 135.0 mm × 45.0 mm (9.25" × 5.31" × 1.77") (L × W × H)
Operating Temperature	-10 °C to +55 °C (14 °F to 131 °F)
Operating Humidity	30%–90% (RH)

IPC Test

Camera Access	ONVIF and Dahua private protocol
Resolution	2 MP (only supports 1920 × 1080@25 fps, 1920 × 1080@30 fps); 4 MP; 6 MP; 4K
Initialization	Yes
Image	Live view, snapshot and recording, zoom, and H.264/H.265 decoding
Function Control	Modify the IPC resolution, IP address and account password. Control IPC to restore factory defaults

Analog Video Test

Video Format	HDCVI; HDTV; AHD; CVBS (NTSC, PAL)
Resolution	HDCVI: 720p@25/30/50/60 fps, 1080p@25/30 fps, 2560 × 1440@25/30 fps, 2880 × 1620@25/30 fps HDTV: 720p@25/30/50/60 fps, 1080p@25/30fps, 2048 × 1536@18 fps, 2560 × 1440@25/30 fps AHD: 720p@25/30 fps, 1080p@25/30fps, 2048 × 1536@18/25/30 fps, 2560 × 1440@25/30 fps CVBS: 720 × 576@25 fps, 720 × 480@30 fps
Function Control	OSD menu; PTZ control
Image	Live view, snapshot and recording, zoom
Video Signal Generator	PAL; NTSC video test signal HDCVI; HDTV; AHD video test signal (720p/1080p)

UTC

UTC	Switches from CVBS mode to CVI/TVI/AHD mode; Switches from one HD format (up to 1080p) to another HD format
-----	---

DMM

DC Voltage	Limit: 2/20/200/600 V Reading range: ±19999 Min. Resolution: 0.1 mV Accuracy: ±0.1%+8
AC Voltage	Limit: 20/200/600 V Reading range: ±19999 Min. Resolution: 1 V Accuracy: ±1.2%+3
DC Current	Limit: 20/200/2000 mA Reading range: ±19999 Min. Resolution: 1 uA Accuracy: ±0.1%+8*
AC Current	Limit: 20/200/2000 mA Reading range: ±1999 Min. Resolution: 1 uA Accuracy: ±1.2%+3
Resistance Test	Limit: 2 kΩ/20 kΩ/200 kΩ/2 mΩ/20 mΩ Reading range: 0–19999 Min. Resolution: 0.1 Ω Accuracy: ±0.1%+8
Capacitance Test	Limit: 2 nF/20 nF/200 nF/2 uF/20 uF/200 uF/2 mF/20 mF Reading range: 0–1999 Min. Resolution: 1 pF Accuracy: ±4%+5
Diode Voltage Drop	Limit: 2 V Reading range: 0–19999 Min. Resolution: 0.1 mV Accuracy: ±0.1%+20
Continuity Test	Limit: 2 kΩ Reading range: 0–19999 Min. Resolution: 0.1 Ω Accuracy: ±0.1%+20

Others

RS-485 Control	Communication protocol: More than 30 protocols including Pelco–D/P, Samsung, Panasonic, Lilin, and Yaan Baud Rate: 150 bps, 300 bps, 600 bps, 1200 bps, 2400 bps, 4800 bps, 9600bps, 19200 bps
Wireless	Spectrum Test; Wi-Fi Test; Signal Monitoring
Cable Test	Network Cable Test: Test network cable pair length, attenuation and delay deviation. Test two or more network cables. The connection sequence and network cable number will be displayed on the screen.
HDMI Test	1-ch HDMI video input (720p and 1080p); 1-ch HDMI video output (1920 ×1080p)
Audio Test	1 × audio input, and 1 audio output
Power Supply for Camera	12 VDC 2A
Network Test	Features IP address scanning and PING test.
Protocol Code Acquisition	Built-in serial port tool, can receive and display RS485 protocol code data sent by control device, and can also send hexadecimal codes.

Optical Power Meter	Detector Type: InGaAs Calibrated Wavelength: 1625/1550/1480/1310n/1300/850 nm Power Test Range: –70 dBm to +10 dBm Measurement Accuracy: <±3% dB (–10 dBm, +22 °C/+71.6 °F); <±5% dB (FS, +22 °C/+71.6 °F) Resolution: Linear: 0.1%, logarithmic : 0.01 dBm Connector: FC/PC
---------------------	---

Port

Power	1 × charge port, 12 VDC 1 × power output port, 12VDC 2A
Audio Port	1 × audio input port, 1 × audio output port
USB	1 × type–A port, 1 × slave port
Network Port	2 × RJ45 10M/100M/1G network port
SD Card	NA
HDMI	1 × HDMI input port 1 × HDMI output port
RS-232	NA
RS-485	1
VLS	NA
OPM	1
Multimeter	4

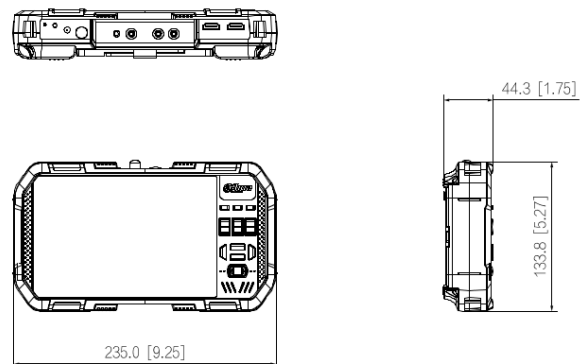
Power Supply

Power Supply	12 VDC 1A/POE 48 V–0.5 A
Battery	Two battery compartments. Each battery compartment can hold a dedicated lithium battery pack with a capacity of 18.5Wh. The combined working time is about 10 hours. (can operate on a single battery).

Certifications

Certifications	CE: EN 55032: 2015, EN 55032: 2017, EN 61000–3–2: 2014, EN 61000–3–3: 2013, EN 61010-1: 2010, EN 62321–1: 2013 FCC: FCC Part 15 Subpart B: 2016
----------------	--

Dimensions (mm[inch])



Application

