

OPTICAL FIBER FUSION SPLICER AI-9

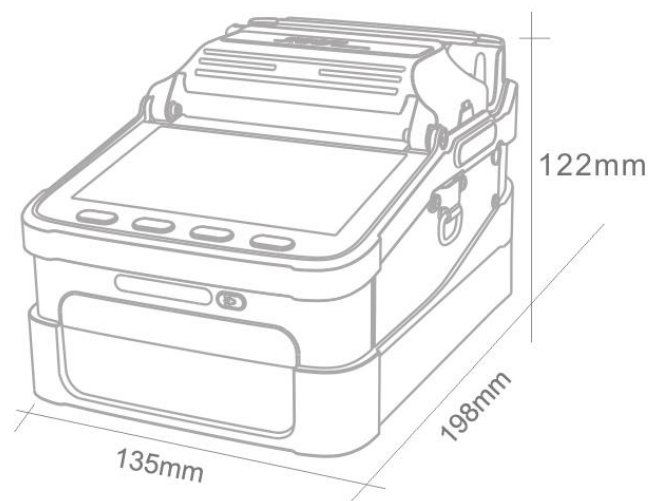


BASIC PARAMETER



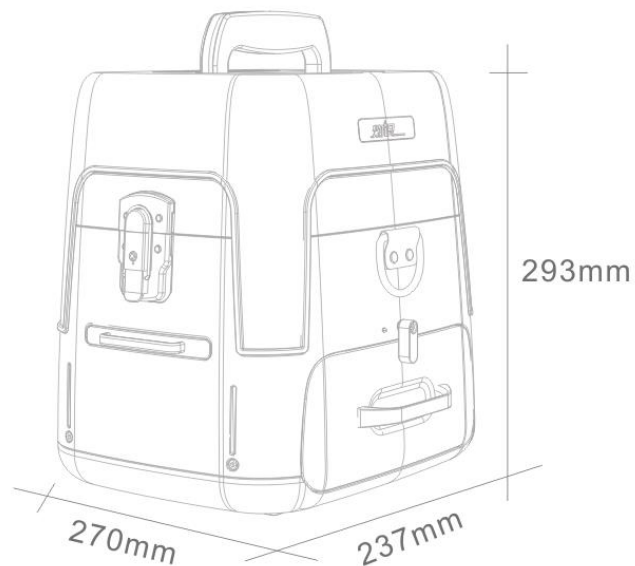
Fiber alignment	Core/cladding alignment / Manual alignment	Language Setting	10 languages to switch freely
Splicing time	5S	Tension Test	Standard 2N
Heating time	15S	Fiber holders	3 in 1 fiber holder, SM, MM, bare fiber, pigtail, rubber-insulated, multi fiber cable
Heating mode	Automatic heating (Preheating)	Magnification	300 for X or Y view, 150 for X or Y view
Focus mode	Six motors Auto focus	Screen	5 inch TFT color display
Applicable Fibers	SM(G.652&G.657)、MM (G.651) 、DS(G.657)、NZDS (G.655)	Splicing Mode	Normal / high precision splicing
Splice Loss	0.025dB (SM) 、 0.01dB (MM) 0.04dB (DS/NZDS)	Splicing method	Fully automatic、 Step by step splicing
Control technology	Real-time control and calibration of fusion ARC	Splicing record storage	Synchronize to the phone, the server to cloud storage unlimited
Return loss	Better than 60DB	Built-in battery	7800 mA high-capacity lithium battery, charging time ≤ 3.5 hours, continuous splicing and heating about 260 times
Fiber diameter	Cladding Diameter: 80-150μm Coating Diameter: 100-1000μm	Power supply	Input AC100-240V 50 / 60HZ, output DC13.5V / 4.8A, the current power mode can be identified, real-time detection of battery power
Fiber Cleave Length	Coating less than 250μm: 8-16mm Coating less than 250-1000μm:16mm	Operating Conditions	Temperature -15 ~ +50 °C, humidity: <95% RH (no condensation) Working altitude: 0 ~ 5000m. Resist max. wind speed: ≤ 15m / s
Software update Length	Automatically update、 Update by a key	Shrinkable tube	60mm、 50mm、 40mm、 25mm
Boot time	1 second	Product protection	Waterproof, dust proof, shock-resistant

Size & Weight



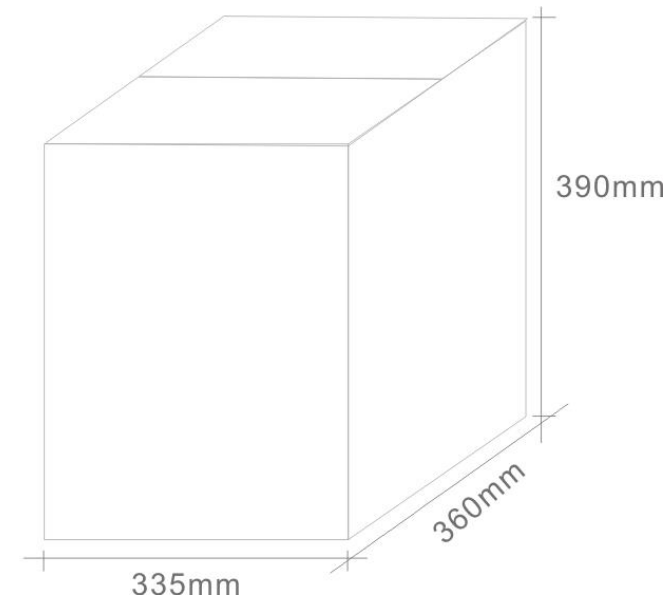
Machine weight

2.08kg (with battery)
1.60kg (without battery)



Toolbox weight

7.1kg (including machine and accessories)



Total weight

8.40kg

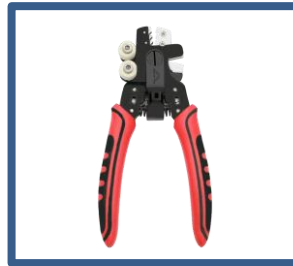
Accessories in the tool box



Fiber Cleaver



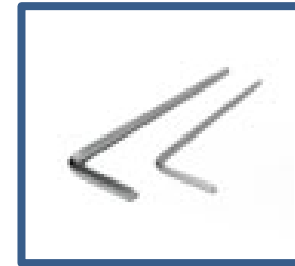
Spare electrode



4 in 1 Wire stripping
and pliers



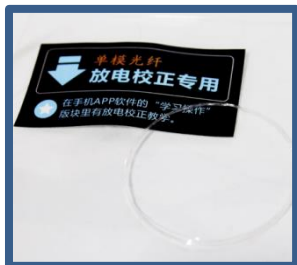
Tutorial Videos



Hex key



Carrying case



Fiber for
ARC calibration



Strap



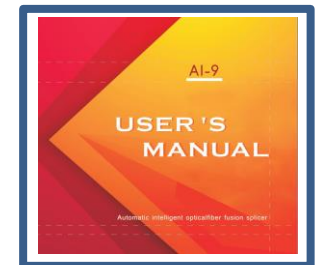
Power Adapter



Alcohol Bottle



Brush



User's manual
Quality Certificate
Warranty Card