

Retro-Reflective Photoelectric Beam Sensor

E-936-S45RRGQ

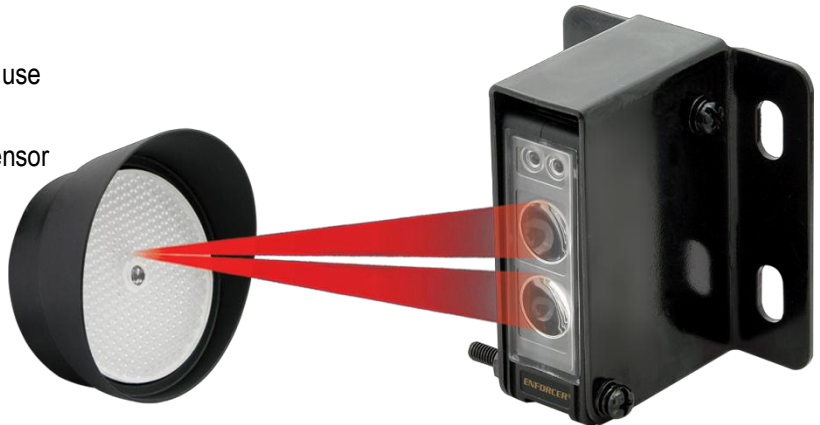
Range: Up to 45ft (14m)



Intertek
Conforms to UL325-2016

Features:

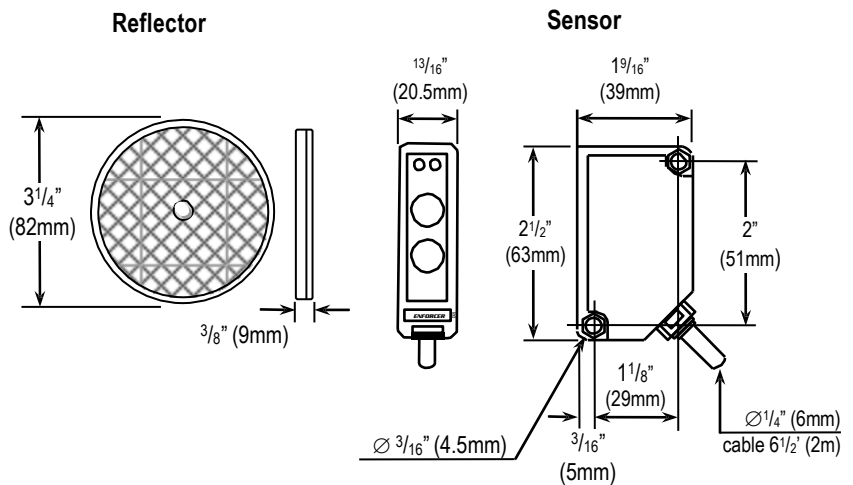
- Range: 45ft (14m)
- Weatherproof (IP66) construction for indoor/outdoor use
- Pre-wired 6ft (1.8m) cord
- Bracket and mounting hardware included for both sensor and reflector
- Adjustable sensing range
- Compact size
- Monitoring method:
 - 10kΩ Resistor
 - N.C.



Specifications:

Model	E-936-S45RRGQ
Type	Retro-reflective
Sensing range	0.5~45 ft (0.2~14 m)
Voltage supply	12-30V DC/AC 60Hz, 100mA
Current draw	70mA@12VDC
Response time	10ms
Light source	IR LED
LED Indicators	Yellow LED (alignment) Red LED (trigger)
Trigger output	SPDT relay output (NO/NC/COM)
Switching capacity	2A@30VAC/VDC
Enclosure	IP66 weatherproof
Operating temperature	-4°~131° F (-20°~55° C)
Mounting brackets	Included

Dimensions:



Optional Accessories:

E-931ACC-BLS6Q

Single-gang flush-mount bracket



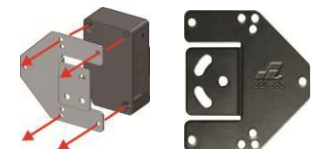
E-931ACC-BLS7Q

Wall bracket



E-931ACC-BLS8Q

Door frame bracket



SECO-LARM® U.S.A., Inc.

16842 Millikan Avenue, Irvine, CA 92606

Phone: (949) 261-2999 | (800) 662-0800 Fax: (949) 261-7326

Website: www.seco-larm.com Email: sales@seco-larm.com



Copyright 2016 © SECO-LARM U.S.A., Inc. All rights reserved.
 All trademarks are the property of SECO-LARM U.S.A., Inc. or their respective owners.
 The SECO-LARM policy is one of continual development. For that reason, SECO-LARM reserves the right to change prices and specifications without notice. SECO-LARM is not responsible for misprints.

SECO-LARM® ENFORCER® CRIMEBUSTER® CBA SLI

PI_E-936-S45RRGQ_160315.docx