

DS-2CD1653G0-I(Z) 5 MP IR Varifocal Network Bullet Camera



Key Features

- 1/2.7" Progressive Scan CMOS
- 2560 × 1920 @ 15fps
- Color: 0.01 Lux @(F1.2; AGC ON), 0.02 Lux @ (F1.6, AGC ON)
- 2.8 to 12 mm varifocal lens
- H.265+, H.265, H.264+, H.264
- 3D Digital Noise Reduction
- IP67



Specifications

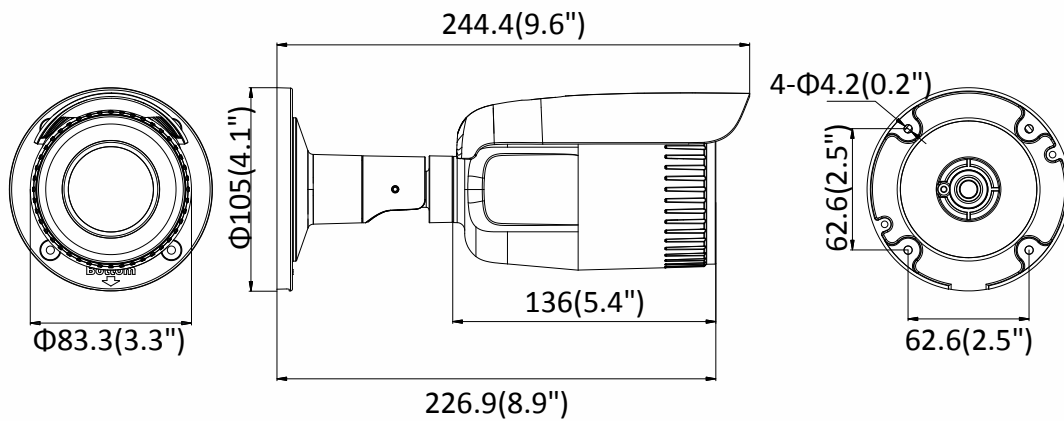
Camera	
Image Sensor	1/2.7" Progressive Scan CMOS
Min. Illumination	Color: 0.01 Lux @(F1.2; AGC ON), 0.02 Lux @ (F1.6, AGC ON)
Shutter Speed	1/3 s to 1/100,000 s
Slow Shutter	Yes
Auto-Iris	No
Day & Night	IR Cut Filter
Digital Noise Reduction	3D DNR
Wide Dynamic Range	120 dB
3-Axis Adjustment	Pan: 0° to 360°, tilt: 0° to 100°, rotate: 0° to 360°
Lens	
Focal Length	2.8 to 12 mm
Aperture	F1.6
Focus	With -Z model: Auto Without -Z model: Manual
FOV	Horizontal FOV: 98° to 28°, vertical FOV: 71° to 21°, diagonal FOV: 130° to 35°
Lens Mount	Φ14
IR	
IR Range	Up to 30 m
Wavelength	850nm
Compression Standard	
Video Compression	Main stream: H.265/H.264 Sub-stream: H.265/H.264/MJPEG
H.264 Type	Baseline Profile/Main Profile/High Profile
H.264+	Main stream supports
H.265 Type	Main Profile
H.265+	Main stream supports
Video Bit Rate	32 Kbps to 8Mbps
Smart Feature-set	
Region of Interest	Support 1 fixed region for main stream and sub-stream
Image	
Max. Resolution	2560 × 1920
Main Stream	50Hz: 12.5fps (2560 × 1920), 20fps (2560 × 1440), 25fps (2304 × 1296, 1920 × 1080, 1280 × 720) 60Hz: 15fps (2560 × 1920), 20fps (2560 × 1440), 30fps (2304 × 1296, 1920 × 1080, 1280 × 720)
Sub Stream	50Hz: 25fps (640 × 480, 640 × 360, 320 × 240) 60Hz: 30fps (640 × 480, 640 × 360, 320 × 240)
Image Enhancement	BLC/3D DNR
Image Settings	Saturation, brightness, contrast and sharpness are adjustable via client software and web browser
Day/Night Switch	Auto/Scheduled/Day/Night
Network	
Network Storage	Support MicroSD/SDHC/SDXC card (128G), local storage and NAS (NFS,SMB/CIFS), ANR
Alarm Trigger	Motion detection, video tampering, network disconnected, IP address conflict, illegal login, HDD error, HDD full
Network Storage	NAS (NFS,SMB/CIFS)

Protocols	TCP/IP, ICMP, HTTP, HTTPS, FTP, DHCP, DNS, DDNS, RTP, RTSP, RTCP, PPPoE, NTP, UPnP, SMTP, SNMP, IGMP, QoS, IPv6, UDP, Bonjour, 802.1x
General Function	One-key reset, heartbeat, mirror, password protection, privacy mask, watermark, IP address filter
Firmware Version	V5.5.52
API	ONVIF(PROFILE S,PROFILE G), ISAPI
Simultaneous Live View	Up to 6 channels
User/Host	Up to 32 users 3 levels: Administrator, Operator and User
Client	iVMS-4200, Hik-Connect, iVMS-5200, iVMS-4500
Web Browser	IE8+, Chrome 31.0-44, Firefox 30.0-51, Safari 8.0+
Interface	
Communication Interface	1 RJ45 10M/100M self-adaptive Ethernet port
On-board storage	Built-in Micro SD/SDHC/SDXC slot, up to 128G
Video Out (Without -Z Model)	1 Vp-p Composite Output(75Ω/BNC)
Reset Button	Yes
General	
Operating Conditions	-30 °C to +60 °C (-22 °F to +140 °F), Humidity 95% or less (non-condensing)
Power Supply	12 VDC ± 25% PoE: 802.3af, class 3
Power Consumption and Current	With -Z model: 12 VDC, 0.9 A, max. 11 W PoE (802.3af, 36 to 57 V), 0.4 A to 0.2 A, max. 12.9 W Without -Z model: 12 VDC, 0.6 A, max. 7 W PoE (802.3af, 36 to 57 V), 0.3 A to 0.1 A, max. 9 W
Protection Level	IP67
Material	Camera body, bracket: metal, sunshield: plastic
Dimensions	Camera: 105 mm × 244.4 mm (4.1" × 9.6") With package: 315 mm × 137 mm × 141 mm (12.4" × 5.4" × 5.6")
Weight	Camera: approx. 700 g (1.5 lb.) With package: approx. 1150 g (2.5 lb.)

Available Models:

DS-2CD1653G0-I (2.8 to 12 mm), DS-2CD1653G0-IZ (2.8 to 12 mm)

Dimensions



Unit: mm(inch)

Accessories



DS-1260ZJ
Junction Box



DS-1275ZJ-SUS
Vertical Pole Mount



DS-1280ZJ-S
Junction Box



DS-1276ZJ-SUS
Corner Mount

Distributed by



HIKVISION

Headquarters

No.555 Qianmo Road, Binjiang District,
Hangzhou 310051, China
T +86-571-8807-5998
overseasbusiness@hikvision.com

Hikvision USA
T +1-909-895-0400
sales.usa@hikvision.com

Hikvision Italy
T +39-0438-6902
info.it@hikvision.com

Hikvision Singapore
T +65-6684-4718
sg@hikvision.com

Hikvision Africa
T +27 (10) 0351172
sale.africa@hikvision.com

Hikvision Europe
T +31-23-55-42-770
info.eu@hikvision.com

Hikvision France
T +33(0)1-85-330-450
info.fr@hikvision.com

Hikvision Oceania
T +61-2-8599-4233
salesau@hikvision.com

Hikvision Hong Kong
T +852-2151-1761

Hikvision Middle East
T +971-4-8816086
salesme@hikvision.com

Hikvision Spain
T +34-91-737-16-55
info.es@hikvision.com

Hikvision Canada
T +1-909-895-0400
sales.usa@hikvision.com

Hikvision Russia
T +7-495-669-67-99
sateru@hikvision.com

Hikvision Poland
T +48-22-460-01-50
poland@hikvision.com

Hikvision Korea
T +82-31-731-8841
sales.korea@hikvision.com

Hikvision India
T +91-22-28469900
sales@pramahikvision.com

Hikvision UK
T +01628-902140
support.uk@hikvision.com

Hikvision Brazil
T +55 11 3318-0050
Latam.support@hikvision.com

05055220190109