

## DS-2CD2043G0-I 4 MP IR Fixed Bullet Network Camera



### Key Features

- 1/3" Progressive Scan CMOS
- 2688 × 1520 @30fps
- 2.8/4/6/8 mm fixed lens
- Color: 0.01 Lux @ (F1.2, AGC ON), 0.018 Lux @ (F1.6, AGC ON), 0 Lux with IR
- H.265+, H.265, H.264+, H.264
- Three streams
- 120dB WDR
- 2 Behavior analyses, and face detection
- BLC/3D DNR/ROI/HLC
- IP67
- Built-in micro SD/SDHC/SDXC card slot, up to 128 GB
- 3-Axis adjustment



## Specifications

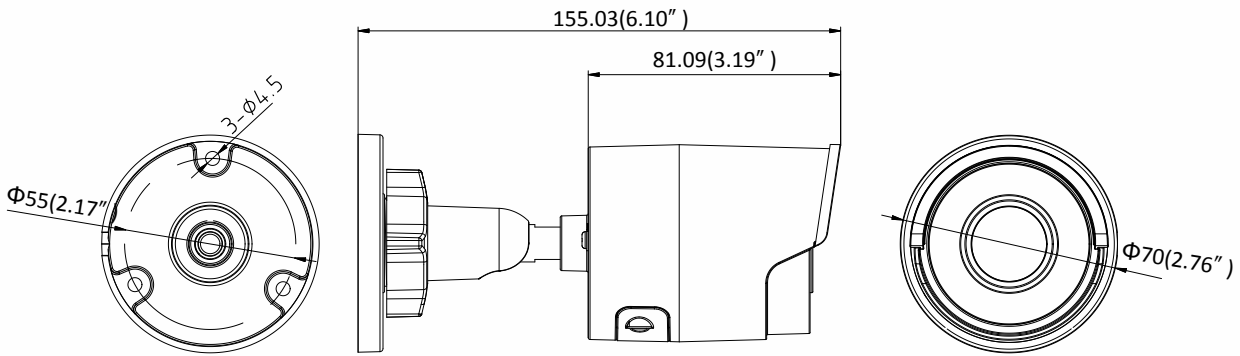
| <b>Camera</b>               |  |
|-----------------------------|--|
| Image Sensor                | 1/3" Progressive Scan CMOS   |
| Min. Illumination           | Color: 0.01 Lux @ (F1.2, AGC ON), 0.018 Lux @ (F1.6, AGC ON), 0 Lux with IR  |
| Shutter Speed               | 1/3 s to 1/100,000 s   |
| Slow Shutter                | Yes  |
| Day & Night                 | IR Cut Filter  |
| Digital Noise Reduction     | 3D DNR   |
| WDR                         | 120dB  |
| 3-Axis Adjustment           | Pan: 0° to 360°, tilt: 0° to 90°, rotate: 0° to 360°   |
| <b>Lens</b>                 |  |
| Focal length                | 2.8/4/6/8 mm   |
| Aperture                    | F1.6   |
| Focus                       | Fixed  |
| FOV                         | 2.8 mm, horizontal FOV: 103°, vertical FOV: 58°, diagonal FOV: 123°<br>4 mm, horizontal FOV: 83°, vertical FOV: 45°, diagonal FOV: 99°<br>6 mm, horizontal FOV: 51°, vertical FOV: 29°, diagonal FOV: 58°<br>8 mm, horizontal FOV: 39°, vertical FOV: 22°, diagonal FOV: 45° |
| Lens Mount                  | M12  |
| <b>IR</b>                   |  |
| IR Range                    | Up to 30 m   |
| Wavelength                  | 850nm  |
| <b>Compression Standard</b> |  |
| Video Compression           | Main stream: H.265/H.264<br>Sub-stream: H.265/H.264/MJPEG<br>Third stream: H.265/H.264   |
| H.264 Type                  | Main Profile/High Profile  |
| H.264+                      | Main stream supports   |
| H.265 Type                  | Main Profile   |
| H.265+                      | Main stream supports   |
| Video Bit Rate              | 32 Kbps to 16 Mbps   |
| <b>Smart Feature-set</b>    |  |
| Behavior Analysis           | Line crossing detection, intrusion detection   |
| Face Detection              | Yes  |
| Region of Interest          | 1 fixed region for main stream and sub-stream  |
| <b>Image</b>                |  |
| Max. Resolution             | 2688 × 1520  |
| Main Stream                 | 50Hz: 25fps (2688 × 1520, 2560 × 1440, 2304 × 1296, 1920 × 1080)<br>60Hz: 30fps (2688 × 1520, 2560 × 1440, 2304 × 1296, 1920 × 1080)   |
| Sub-Stream                  | 50Hz: 25fps (640 × 480, 640 × 360, 320 × 240)<br>60Hz: 30fps (640 × 480, 640 × 360, 320 × 240)   |
| Third Stream                | 50Hz: 25fps (1280 × 720, 640 × 360, 352 × 288)<br>60Hz: 30fps (1280 × 720, 640 × 360, 352 × 240)   |
| Image Enhancement           | BLC/3D DNR/HLC   |
| Image Setting               | Rotate mode, saturation, brightness, contrast, sharpness and white balance adjustable by client  |

|                               |   |
|-------------------------------|---|
|                               | software or web browser   |
| Target Cropping               | No  |
| Day/Night Switch              | Day/Night/Auto/Schedule   |
| <b>Network</b>                |   |
| Network Storage               | Support Micro SD/SDHC/SDXC card (128G), local storage and NAS (NFS,SMB/CIFS), ANR   |
| Alarm Trigger                 | Motion detection, video tampering, network disconnected, IP address conflict, illegal login, HDD full, HDD error                              |
| Protocols                     | TCP/IP, UDP, ICMP, HTTP, HTTPS, FTP, DHCP, DNS, DDNS, RTP, RTSP, RTCP, PPPoE, NTP, UPnP™, SMTP, SNMP, IGMP, 802.1X, QoS, IPv6, Bonjour        |
| General Function              | One-key reset, anti-flicker, three streams, heartbeat, mirror, password protection, privacy mask, watermark, IP address filter                |
| Firmware Version              | V5.5.80   |
| API                           | ONVIF (PROFILE S, PROFILE G), ISAPI   |
| Simultaneous Live View        | Up to 6 channels  |
| User/Host                     | Up to 32 users<br>3 levels: Administrator, Operator and User  |
| Client                        | iVMS-4200, Hik-Connect, iVMS-5200, iVMS-4500  |
| Web Browser                   | Plug-in required live view:<br>IE8+, Chrome 41.0-44, Firefox 30.0-51, Safari 8.0-11<br>Plug-in free live view:<br>Chrome 45.0+, Firefox 52.0+ |
| <b>Interface</b>              |   |
| Communication Interface       | 1 RJ45 10M/100M self-adaptive Ethernet port   |
| Video Output                  | No  |
| On-board storage              | Built-in Micro SD/SDHC/SDXC slot, up to 128 GB  |
| SVC                           | H.264 and H.265 encoding  |
| Reset Button                  | Yes   |
| <b>General</b>                |   |
| Operating Conditions          | -30 °C to +60 °C (-22 °F to +140 °F), Humidity 95% or less (non-condensing)   |
| Power Supply                  | 12 VDC ± 25%, Φ 5.5 mm coaxial power plug<br>PoE (802.3af, class 3)   |
| Power Consumption and Current | 12 VDC, 0.5 A, max. 6 W<br>PoE (802.3af, 36 V to 57 V), 0.2 A to 0.1 A, max. 7.5 W  |
| Protection Level              | IP67  |
| Material                      | Metal   |
| Dimensions                    | Camera: Φ 70 × 155.03 mm (Φ 2.8" × 6.1")<br>Package: 216 × 121 × 118 mm (8.5" × 4.8" × 4.7")  |
| Weight                        | Camera: Approx. 420 g (0.9 lb.)<br>With Package: Approx. 700 g (1.5 lb.)  |

## Available Model:

DS-2CD2043G0-I (2.8/4/6/8 mm)

**Dimension**



**Accessory**



**DS-1280ZJ-XS**  
Junction Box



**DS-1280ZJ-XS(Black)**  
Junction Box

Distributed by



**HIKVISION®**

**Headquarters**

No.555 Qianmo Road, Binjiang District,  
Hangzhou 310051, China  
T +86-571-8807-5998  
overseasbusiness@hikvision.com

**Hikvision USA**  
T +1-909-895-0400  
sales.usa@hikvision.com

**Hikvision Italy**  
T +39-0438-6902  
info.it@hikvision.com

**Hikvision Singapore**  
T +65-6684-4718  
sg@hikvision.com

**Hikvision Africa**  
T +27 (0) 0351172  
sale.africa@hikvision.com

**Hikvision Europe**  
T +31-23-55-42-770  
info.eu@hikvision.com

**Hikvision France**  
T +33(0)1-85-330-450  
info.fr@hikvision.com

**Hikvision Oceania**  
T +61-2-8599-4233  
salesau@hikvision.com

**Hikvision Hong Kong**  
T +852-2151-1761

**Hikvision Middle East**  
T +971-4-8816086  
salesme@hikvision.com

**Hikvision Spain**  
T +34-91-737-16-55  
info.es@hikvision.com

**Hikvision Canada**  
T +1-909-895-0400  
sales.usa@hikvision.com

**Hikvision Russia**  
T +7-495-669-67-99  
saleru@hikvision.com

**Hikvision Poland**  
T +48-22-460-01-50  
poland@hikvision.com

**Hikvision Korea**  
T +82-31-731-8841  
sales.korea@hikvision.com

**Hikvision India**  
T +91-22-28469900  
sales@pramahikvision.com

**Hikvision UK**  
T +01628-902140  
support.uk@hikvision.com

**Hikvision Brazil**  
T +55 11 3318-0050  
Latam.support@hikvision.com