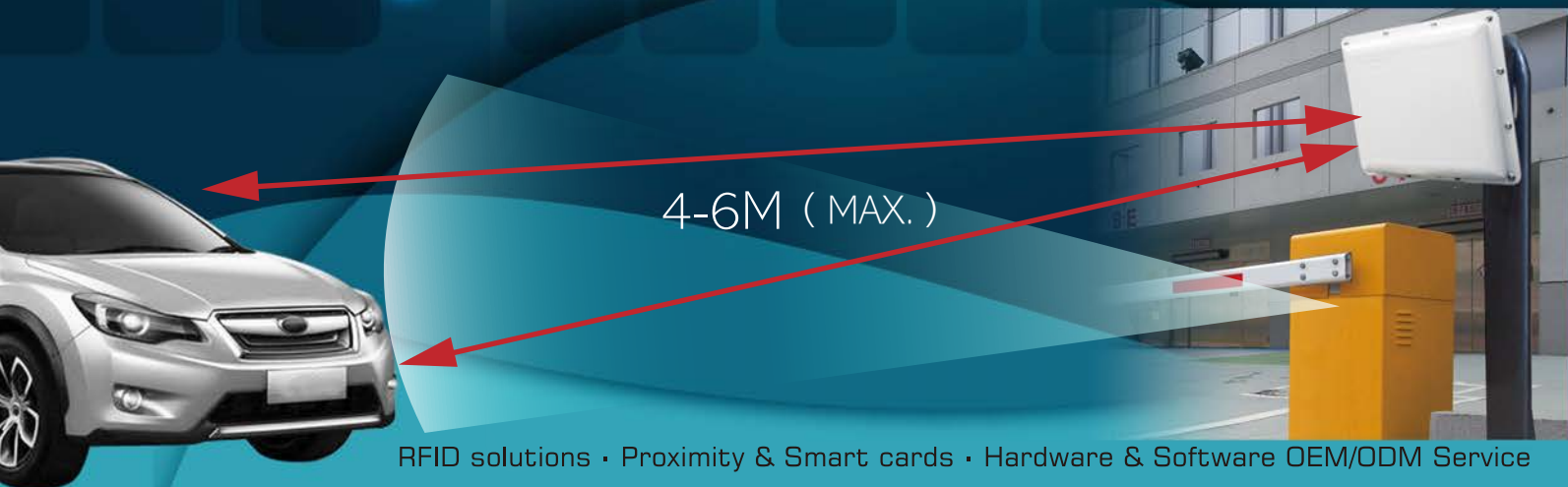


AR-661UG (922-928MHz) Long Range Wiegand Reader

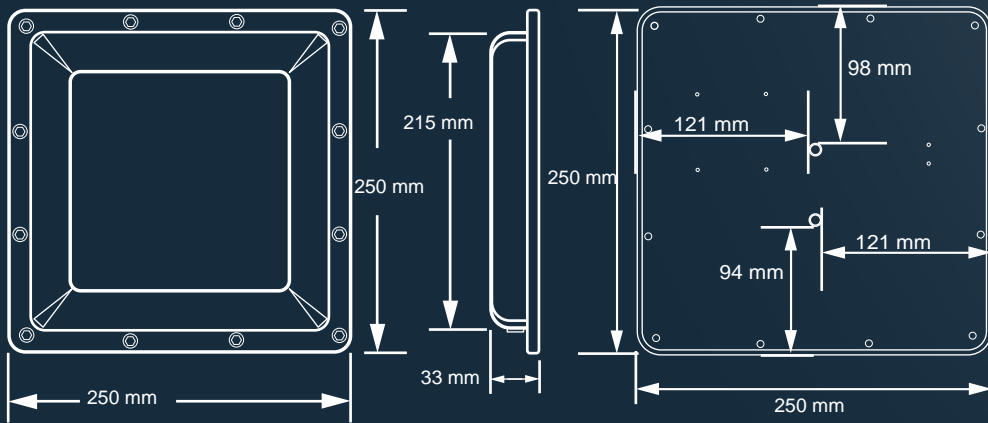


Ideal for outdoor applications
Standard Wiegand Interface to controller
Cost-effective UHF long read range passive tags
Compatible with all standard Access Control Systems



4-6M (MAX.)

Dimensions (mm)



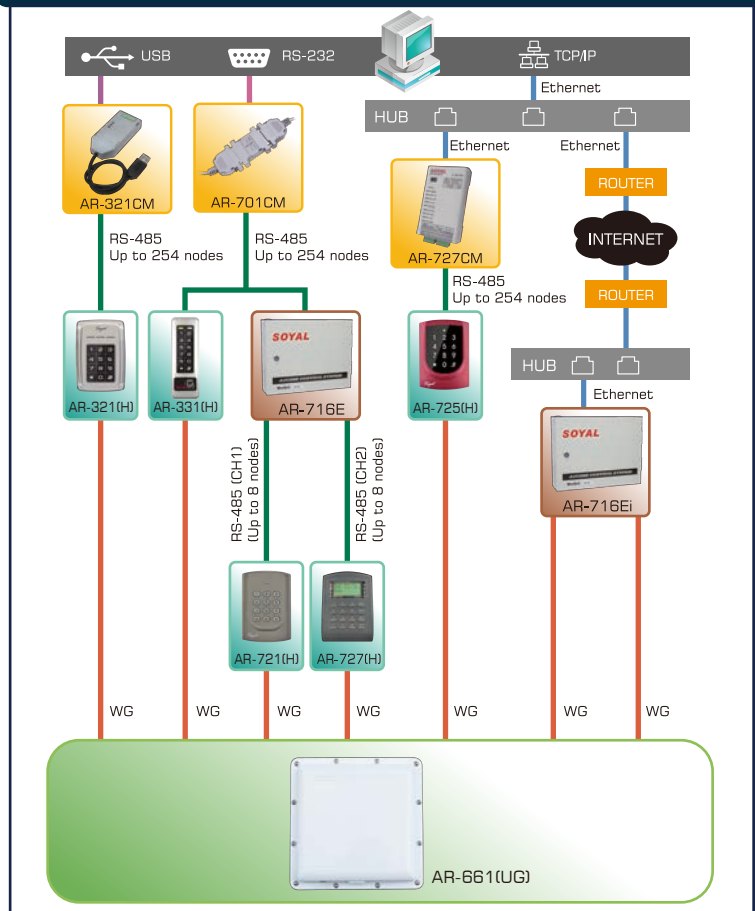
Application: Parking Management



Specification

| | | |
|-------------------------|--|----------------------------------|
| Frequency | 922 to 928 MHz (FHSS) | |
| Standard | ISO180006C | |
| Supported Tags | All H3 chip tags can be used Vehicle tags and Hand-held tags | |
| Reading Range | 4-6M (MAX) | |
| Power Supply | 7 to 15 VDC (12 VDC) > 1.5A independent power supply | |
| Power Consumption | 12VDC | 900mA to 1500mA |
| | 15VDC | 700mA to 1200mA |
| Communication Interface | Wiegand and RS-232 | |
| Code Formats | (Standard) Wiegand : 34 | |
| | (Optional) 66 Bits UID RS-232: 96 bits TID+96 bits EPC ID | |
| Temperature | 100% | -35°C to +45°C (-31°F to +113°F) |
| | 50% | -35°C to +65°C (-31°F to +150°F) |
| Humidity | 0% - 95% non-condensing | |
| Indicator | 2 LED | |
| Protection Standard | IP65 | |
| Color | White | |
| Dimensions (mm) | Net: 250(L)X250(W)X33(H) | |
| | Box: 285(L)X265(W)X53(H) | |
| Weight (g) | 1200±20 | |
| Housing Material | ABS; aluminum back-plate, Ivory | |
| Cables | Power | 2 conductors, 18 gauge |
| | Data | 3 conductors, 22 gauge |
| Avoiding Interference | Optimize reader performance by avoiding sources of RF – fluorescent and other arc lighting, UHF transmitters, other readers. | |
| Antenna Output | Circular-polarized RF field | |

Structure



Tag (Label)

| | |
|-----------------|---|
| Model NO. | AR-TAGT88W01F |
| Description | 922-928kHz UHF Label, R/W only, Waterproof, w/ RoHS |
| Dimensions (mm) | 100(L)X15(W) |
| Picture | |