

Features

Individual addressable manual fire alarm stations with the following features:

- Power and data supplied by MX Technology addressable loop communications using a single wire pair
- EMI compatibility
- Choice of hard (DIP switch) or soft (Digital Enrollment) addressing
- Internally mounted addressable module similar to the design of the 4090-5258 Mini-IAM
- Available as single action or double action breakglass operation
- Pull lever that protrudes when alarmed
- Break-rod supplied for optional use
- UL listed to Standard 38

Compatibility:

For use with Simplex 2050, 2250, 4010ES, and 4100ES series fire alarm control units (FACUs) with MX communications

Compact construction:

- Electronics module enclosure minimizes dust infiltration
- Mounts in standard electrical boxes
- Screw terminals for wiring connections

Tamper resistant reset key lock is keyed the same as Simplex fire alarm cabinets.

To reduce waste, keys are not included with pull stations and are ordered separately. See Table 2 for ordering information.

Multiple mounting options:

- Surface or semi-flush with standard boxes or matching Simplex boxes
- Flush mount adapter kit
- Adapters are available for retrofitting to commonly available existing boxes

Description

MX addressable manual stations contain an integral addressable module that constantly monitors status and communicates changes to the connected FACU through MX communication wiring.

Operation

Activation of the 4099-5214 single action manual station requires a firm downward pull to activate the alarm switch. Completing the action breaks an internal plastic break-rod that is visible below the pull lever, use is optional. The break-rod acts as a deterrent to vandalism without interfering with the minimum pull requirements needed for easy activation. The pull lever latches into the alarm position and remains extended out of the housing to provide a visible indication.

Double action stations with breakglass: Strike the front-mounted hammer to break the glass and expose the recessed pull lever. The pull lever then operates as a single action station.

Station reset requires the use of a key to reset the manual station lever and deactivate the alarm switch. If you use the break-rod, it must be replaced.

Station testing: Pull the lever to test the station. Electrical testing works by unlocking the station housing to activate the alarm switch.

Institutional stations activate by key operation only. This allows access for manual alarms to be limited to authorized personnel. Operation requires key insertion and opening of the station cover.

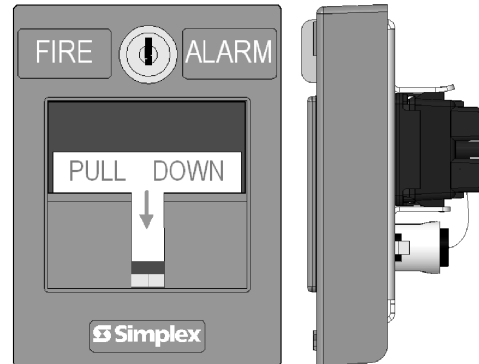


Figure 1: 4099-5214 single action manual station, front and side view

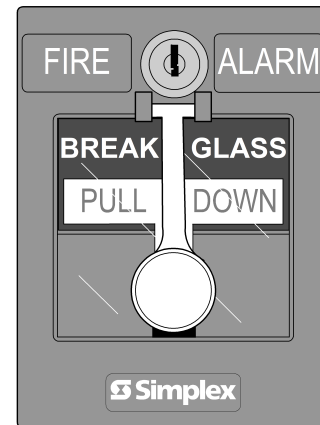


Figure 2: 4099-5215 double action (breakglass) manual station



Figure 3: 4099-5214 single action manual station with institutional cover, ordered separately

* Additional listings may be applicable; contact your local Simplex product supplier for the latest status. Listings and approvals under Simplex Time Recorder Co. are the property of Tyco Fire Protection Products.

MX technology addressable manual station product selection

Table 1: Addressable manual stations, red housing with white letters and white pull lever

Model	Description
4099-5214	Single action operation
4099-5215	Double action, breakglass operation

Table 2: Accessories

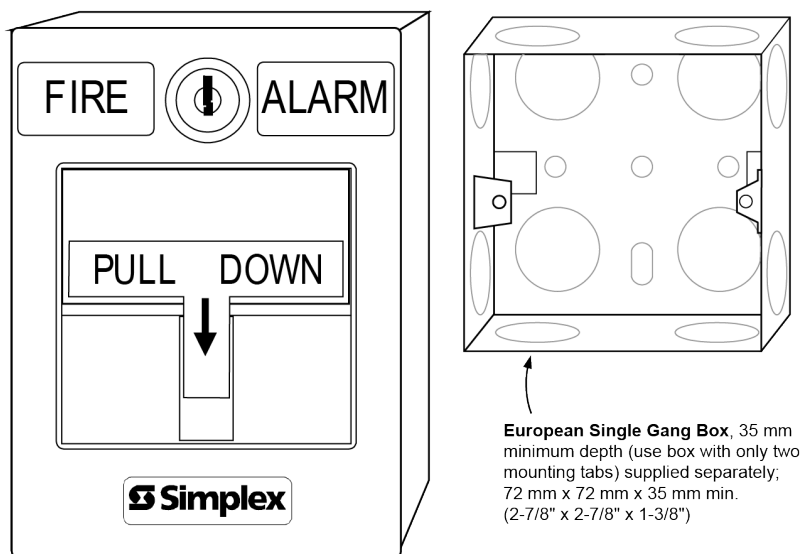
Model	Description
2975-9178	Surface mount steel box, red, see Figure 5 for details
2975-9022	Cast aluminum surface mount box, red, see Figure 5 for details
2099-9813	Semi-flush trim plate for double gang switch box, red, see Figure 7 for details
2099-9814	Surface trim plate for Wiremold box V5744-2, red, see Figure 7 for details
2099-9819	Flush mount adapter kit, black, see Figure 8 for details
2099-9820	Flush mount adapter kit, beige, see Figure 8 for details
2099-9803	Replacement breakglass
2099-9804	Replacement break-rod
2099-9828	Institutional cover kit for field installation on 4099-5214
252-019	B key for pull station activation and reset

Specifications

Table 3: Specifications

Specifications	Rating
Power and communications	MX Loop, one address per manual station
Current	Standby 250 μ A, alarm 2.6 mA
Address means	Hard addressing using a DIP switch or soft addressing using Digital Enrollment (QR code)
Wire connections	Terminal blocks, for wire size 20 AWG to 14 AWG (0.5 mm ² to 2.5 mm ²)
UL listed temperature range	32°F to 120°F (0°C to 49°C), this is intended for indoor operation
Humidity range	Up to 93% RH at 90°F (32°C)
Housing color	Red with white raised lettering
Material	Housing and pull lever are Lexan polycarbonate or equal
Pull Lever color	White with red raised lettering
Housing dimensions	5 in. H x 3 3/4 in. W x 1 in. D (127 mm x 95 mm x 25 mm)
Installation instructions	579-1429

Addressable manual station semi-flush mounting


Figure 4: Addressable manual station semi-flush mounting

Addressable manual stations surface mounting

Preferred mounting: for surface mounting of these addressable manual stations, the preferred electrical boxes are shown in Figure 5.

Additional mounting reference: see [Addressable manual station, additional mounting information](#) for wiremold box mounting compatibility.

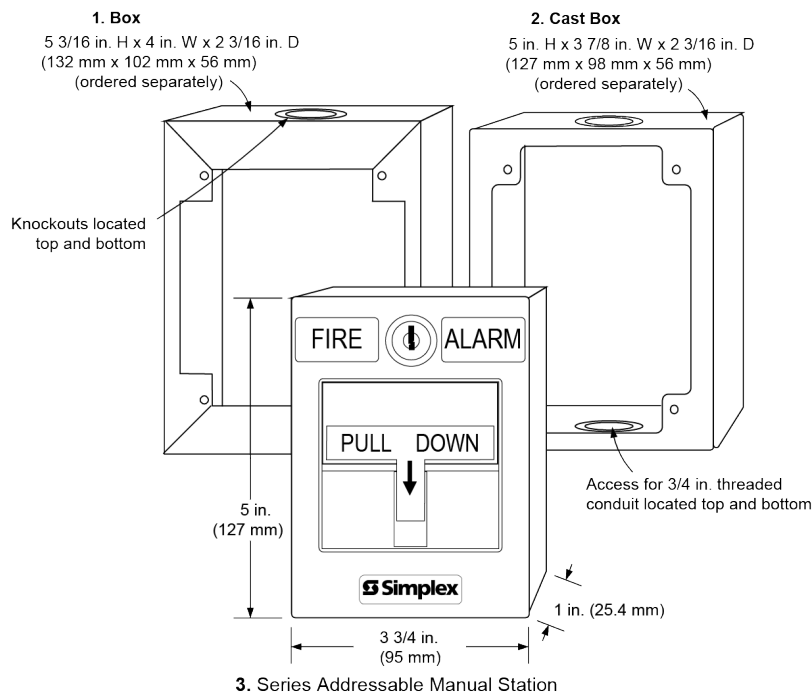


Figure 5: 4099 mounting

Surface mount side view with internal detail

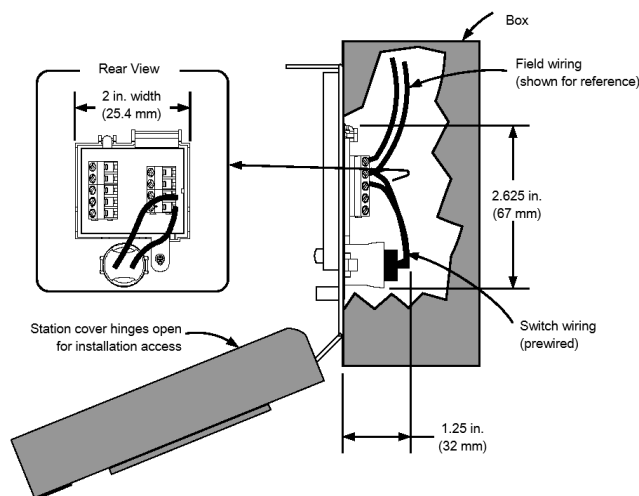


Figure 6: Internal detail

Application reference

Refer to NFPA 72, the *National Fire Alarm and Signaling Code*, and all applicable local codes for complete requirements for manual stations. The following summarizes the basic requirements.

1. Stations shall be located in the normal path of exit and distributed in the protected area such that they are unobstructed and readily accessible.
2. Mounting shall be with the operable part not less than 3 1/2 ft (1.1 m) and not more than 4 1/2 ft (1.37 m) above floor level.
3. At least one station shall be provided on each floor. Additional stations shall be provided to obtain a travel distance not more than 200 ft (61 m) to the nearest station from any point in the building.
4. When manual station coverage appears limited in any way, additional stations should be installed.

Addressable manual station, additional mounting information

For retrofit and new installations, additional compatible mounting boxes and the required adapter plates are shown in Figure 7.

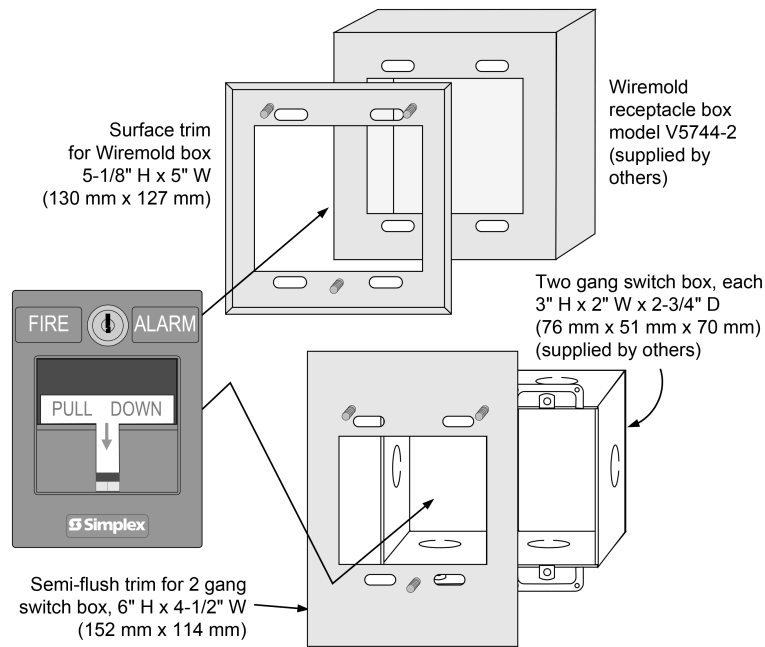


Figure 7: Additional mounting information

Addressable manual station, flush mounting information

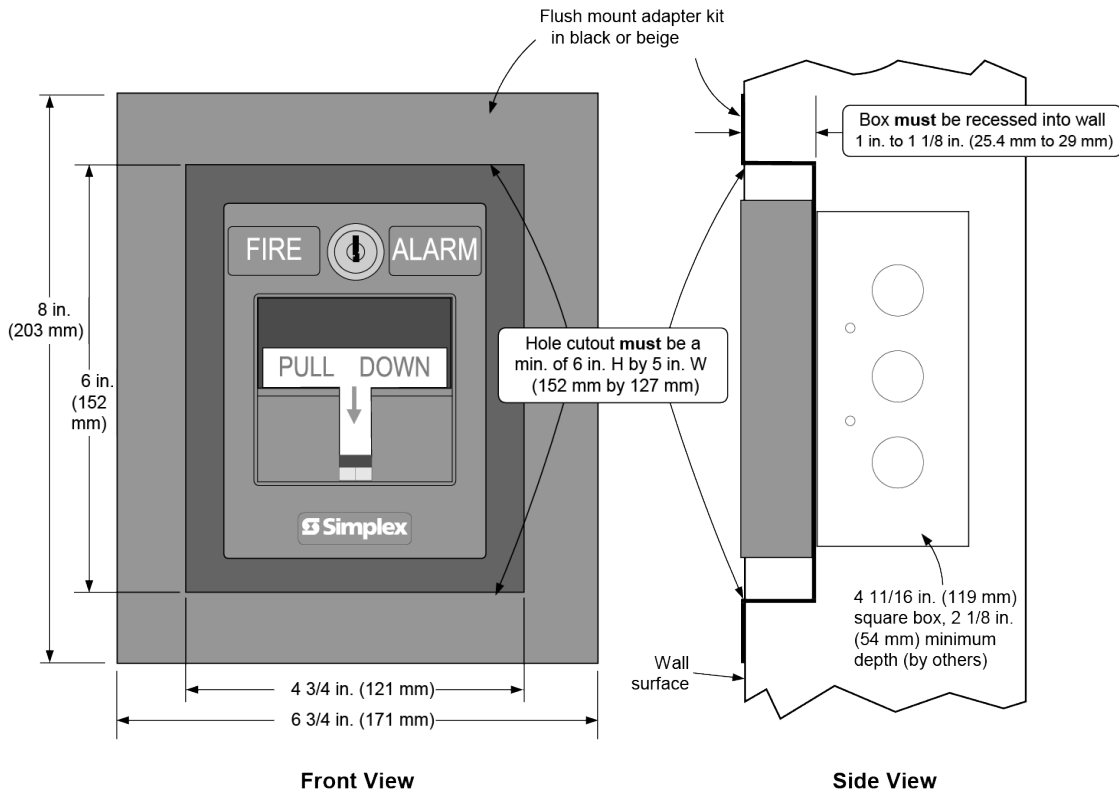


Figure 8: Flush mounting information