

# STI STOPPER® II

## Protective Cover To Help Stop Malicious and Accidental False Fire Alarms

This unique and patented device has been helping stop false fire alarms around the world for more than 25 years, without restricting legitimate alarms. It offers excellent protection against physical damage (both accidental and intentional), dust and grime as well as severe environments inside and out. It is ideal for schools, colleges, hospitals, nursing homes, stores, hotels and public buildings of almost every kind where there is a threat of false fire alarms.

## How It Works

Stopper II consists of a clear, tamperproof, super tough polycarbonate shield and frame that fits over manual pull stations. When lifted to gain access to the actual alarm, it sounds a piercing self-contained 95 dB or 105 dB warning horn (at one foot). Immediate attention is drawn to the area and a prankster will either run or be caught. The cover is connected to the frame by a cable. When the cover is lifted, it drops off of the frame and a horn will sound (models with horn). Horn will sound until the cover is snapped back onto the frame or for the life of the battery.



STI-1100



## Features

- Proven effective for more than 25 years in helping stop false fire alarms without restricting legitimate alarms.
- Lifetime guarantee against breakage of polycarbonate housing in normal use (one year on electronic components).
- Can be used as a guard against physical damage to a manual pull station, with or without the optional warning horn.
- Cover is UV-stabilized against sun deterioration.
- Optional horn has choice of 95 dB or 105 dB at one foot.
- Standard red units have "In Case of Fire..." label unless specified no label or custom label (charge for custom label).
- Horn housing available in red, blue, green or yellow with optional custom labeling.
- When covering a pull station outside, UL requires stations to be listed for outdoor use.
- UL Listed to U.S. and Canadian safety standards (also for custom labeling).
- Larger sizes and surface mounted pull stations accommodated with STI-3100 conduit spacer.
- Polycarbonate rated -40°F to 120°F (-40°C to 49°C).
- Weather models have closed cell gaskets.
- Power source is 9 VDC alkaline battery included on standard Stopper II (remote powered unit is available).
- "RC" models include one form "C" dry relay contact and is capable of operating from 9-24 VDC remote power or internal 9 VDC battery power.
- Not just for pull stations, this cover can also help protect other devices such as EPO's, call boxes, telephones and emergency shutdowns just by changing the color and messaging.
- With backplate and gaskets, UL Listed to NEMA 3R Standards.



**Safety Technology International, Inc.**  
2306 Airport Road • Waterford, Michigan 48327-1209  
Phone: 248-673-9898 • Fax: 248-673-1246  
Toll Free: 800-888-4STI • E-mail: info@sti-usa.com  
Web: www.sti-usa.com

**Safety Technology International (Europe) Ltd.**  
Unit 49G Pipers Road • Park Farm Industrial Estate • Redditch  
Worcestershire • B98 0HU • England • Tel: 44 (0) 1527 520 999  
Fax: 44 (0) 1527 501 999 • Freephone: 0800 085 1678 (UK only)  
E-mail: info@sti-europe.com • Web: www.sti-europe.com

# STI STOPPER® II

## Dimensions and Technical Information

### Models Available

#### Stopper II Models Indoor Use:

- STI-1100** With horn for flush mount
- STI-1100RC\*** With horn and relay flush mount
- STI-1130** With horn and spacer
- STI-1130RC\*** With horn and relay with spacer
- STI-1200** Without horn flush mount
- STI-1230** Without horn with spacer

#### Weather Stopper® (Indoor/Outdoor rated) with gaskets:

- STI-1150** Stopper II with horn flush mount (indoor/outdoor rated)
- STI-1150RC\*** Stopper II with horn and relay flush mount (indoor/outdoor rated)
- STI-1155** Stopper II with horn and spacer (indoor/outdoor rated)
- STI-1155RC\*** Stopper II with horn, relay and spacer (indoor/outdoor rated)
- STI-1250** Weather Stopper without horn flush mount
- STI-3150** Weather Stopper without horn with spacer

#### Accessories:

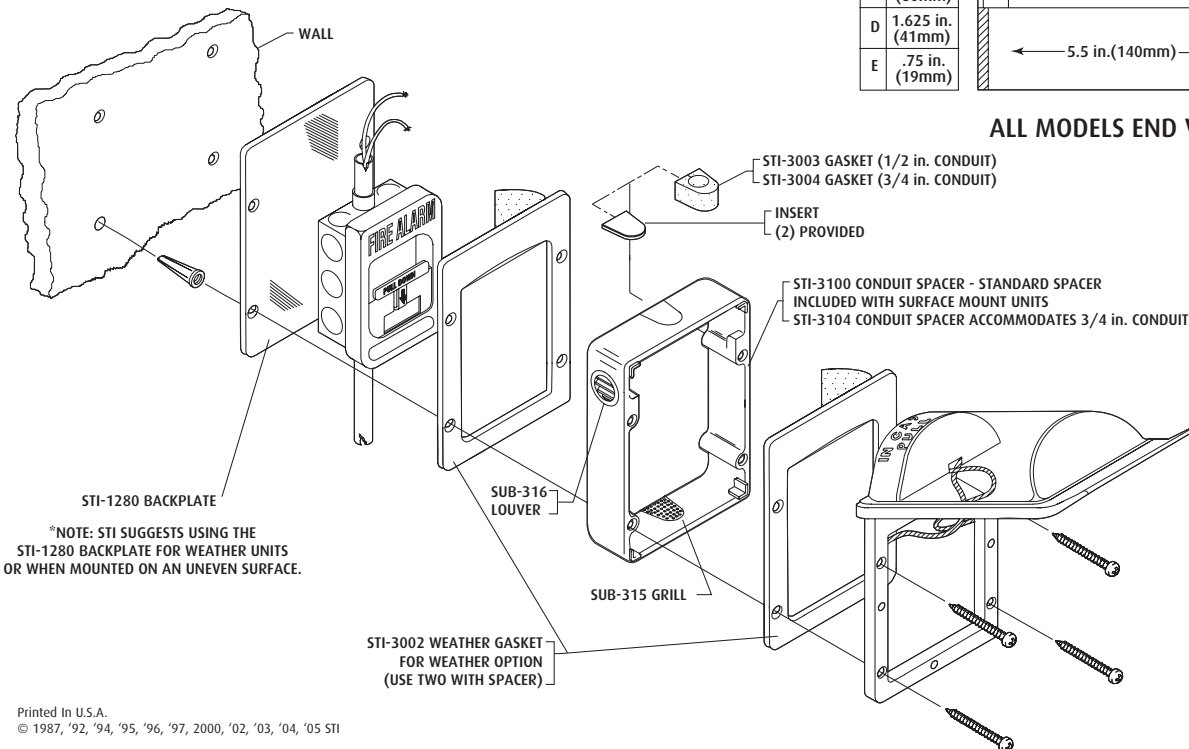
- STI-3100** 2" conduit spacer with 1/2" conduit entry (no gaskets included)
- STI-3104** 2" conduit spacer with 3/4" conduit entry (includes 1 3/4" conduit entry gasket)
- STI-1102** Replacement horn for cover with alarm
- Custom-LBL** Custom text message for horn housing

### Important Notice

Stopper II is intended to be used in areas where the incidence of false fire alarms from manual pull stations is high or has proven to be a serious problem. Any disadvantage of this device is more than balanced when one considers the consequences of false fire alarms, especially if fire service personnel and equipment are responding to a false fire alarm when they are needed for a real fire somewhere else. Add to this the disruption to the facility when false alarms occur. If you have, or may have, a problem with false fire alarms or physical/weather damage to your fire alarm activation devices, the Stopper II could prove invaluable.

**\*WARNING:** ⚠ For RC models: UL Listing does not permit relay contacts to connect to the fire alarm or a life safety function. The power supply for horns, according to UL Listing, cannot be connected to a UL Listed fire alarm system. For electrical specifications see install book. RC models contain one set of Form "C" dry contacts. Contacts rated 30 VAC/VDC 1 amp.

**NOTE:** End user must verify the alarm and battery every six months and replace battery annually or as required.



### Approvals

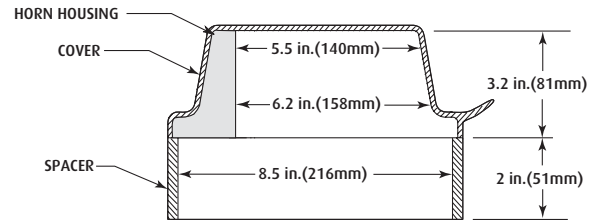
#### TESTING

It has been tested and approved or listed by:

- UL/cUL Listed No. S2466
- For fire alarm applications, UL38 requires outdoor listed stations for outdoor use.
- Factory Mutual No. OG6A2.AY (STI-1100 and STI-1130 only)
- State of California (obtain local fire marshal approval)
- NEMA 3R Rated (only for Stopper II models with backplate and gaskets)
- New York City Board of Standards No. 947-81-SA (STI-1100 only)
- ADA Compliant (UL Certified No. S2466)

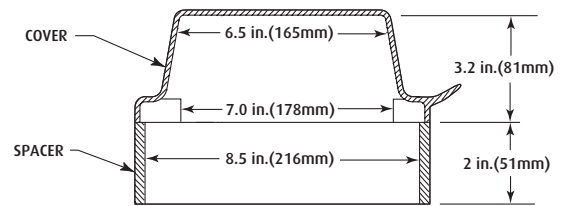
#### PATENTS

- United States No. 4267549, Canada No. 1147828



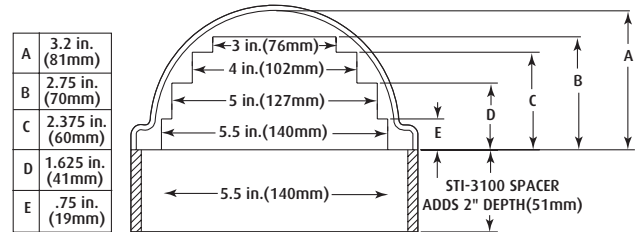
SIDE VIEW

MODELS WITH HORN (STI-1100 Series)



SIDE VIEW

MODELS WITHOUT HORN (STI-1200 AND STI-3150 Series)



ALL MODELS END VIEW