

[vänt].

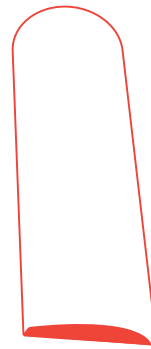
Panels

[Installation Guide]

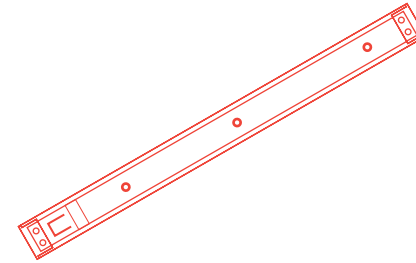


[Videos, Manuals, FAQs]
www.vantpanels.com/support

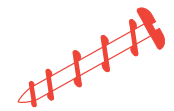
What does my box include?



[a]
panels



[b]
brackets



[c]
screws



5 Panel Box

- 5 x panels **[a]**
- 9 x brackets **[b]**
- 27 x anchorless screws **[c]**



4 Panel Box





- 4 x panels **[a]**
- 6x brackets **[b]**
- 18 x anchorless screws **[c]**



2 Panel Box

- 2 x panels **[a]**
- 3x brackets **[b]**
- 9 x anchorless screws **[c]**

[Tools]

-  Screwdriver (Manual or Electric in Low Torque Mode)
-  Measuring Tape
-  Level
-  Pencil

ready?

[Prep]

Remove all packaging from brackets.

Note: The patented anchorless screws are designed with extra wide threads to grip the drywall so the panels are firmly held in place. No studs or anchors will be needed when mounting your panels onto drywall.



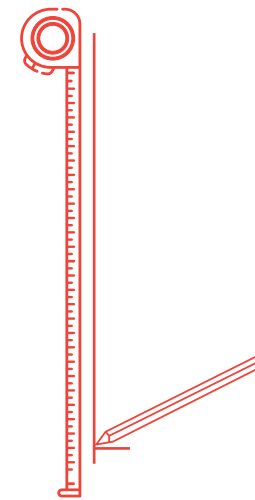
set.

[vänt].

GO!

[STEP 1]

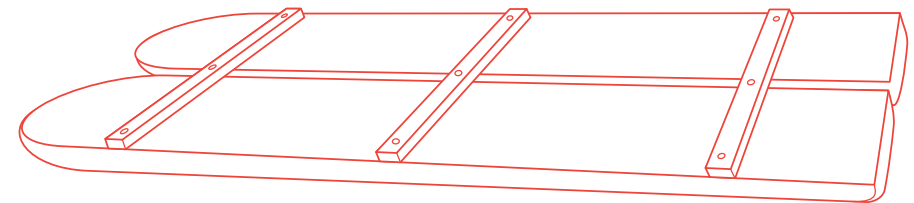
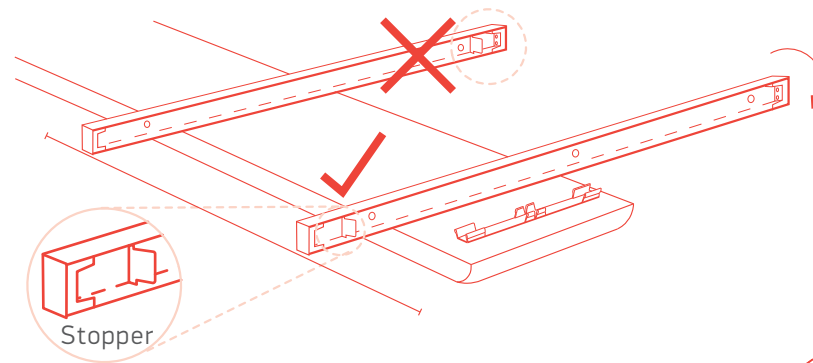
- Using your measuring tape, find and mark a vertical line where you would like the panels to start. Start mounting your panels from the right side of the bed.



DO NOT mount the brackets onto the wall yet, make sure to read the following steps.

[STEP 2]

- Position your first Vant wall panel on the floor back side up. Press and snap one bracket at a time with the stoppers to the left side of the panel, so that when the panels are positioned on the wall the stoppers end up to the right side. Now snap the second panel into the brackets.



Snap away from the stopper, and then slide up until you hit the stopper



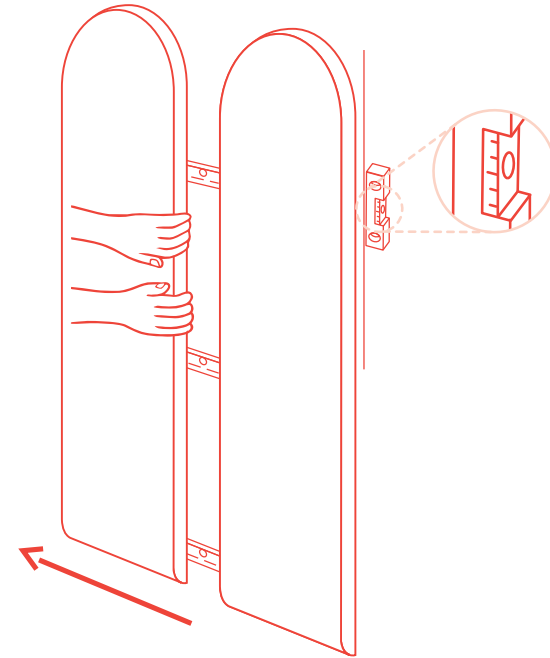
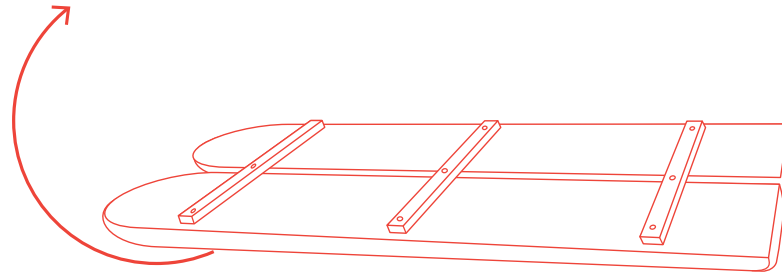
[Videos, Manuals, FAQs]
www.vantpanels.com/support

[vänt].

keep going

[STEP 3]

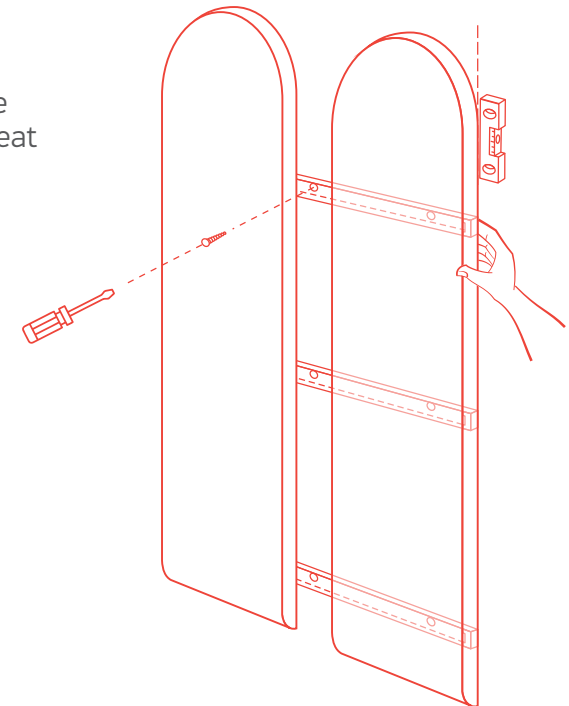
- Once both panels are snapped into the bracket, flip it back over with the front side up. Then, slide the left panel to the left about an inch or two to uncover the screw hole on the center of the bracket. Now lift the assembly and position it against the mark on your wall. Please note that this would require an extra hand to hold on to the assembly while screwing it in.



Use a leveling tool to make sure your panels are level before installing.

[STEP 4]

- Before fastening anything in place double check with your finger that the panel to the right is flush to the edge of the bracket. With everything aligned drive one of the included anchorless screws into the first bracket hole, directly between the panels. Repeat for the other two screw holes.



IMPORTANT: (If using an electric drill, place the torque on low and drill gently, so the drywall hole doesn't get worn out.)



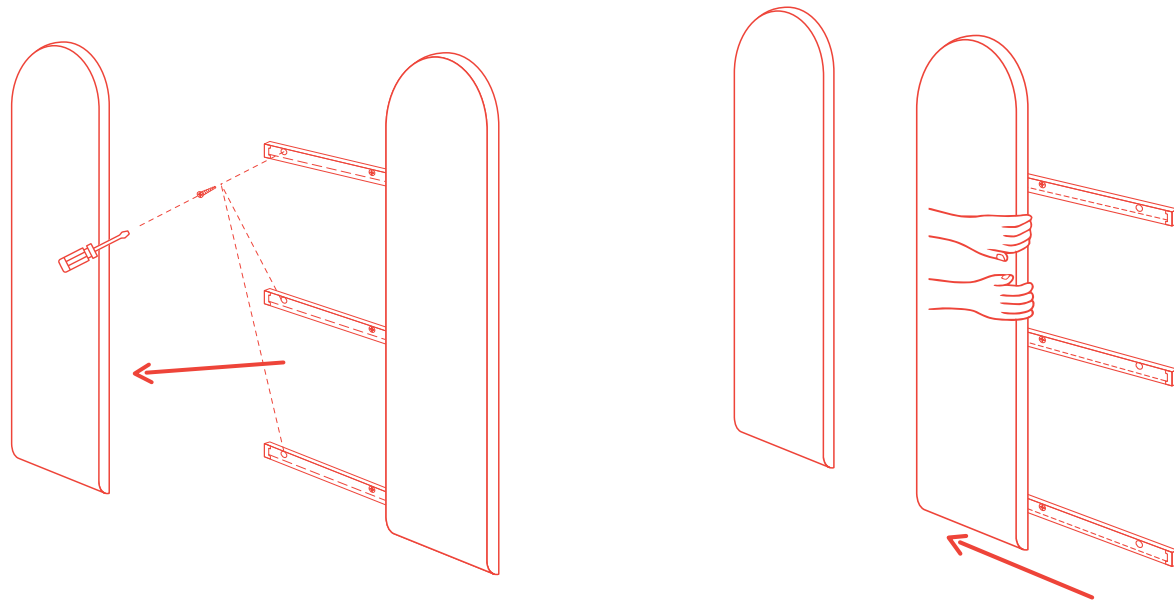
[Videos, Manuals, FAQs]
www.vantpanels.com/support

[vänt].

almost there

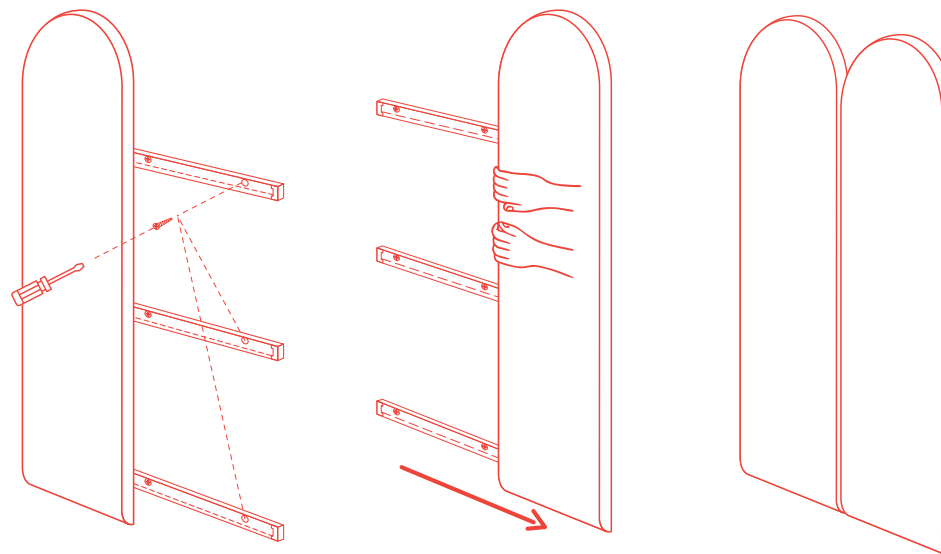
[STEP 5]

- With the screws secured, remove the left panel and insert the three screws into the screw holes on the left side of the bracket. Slide the right panel over to the left.



[STEP 6]

- Screw the last three screws into the bracket on the right side. Then slide the right panel all the way back and click the left panel back into place.



Repeat all the steps to add more panels to your layout. To prevent any spacing between columns, apply gentle pressure towards the existing column from the side when installing the next panel.



[Videos, Manuals, FAQs]
www.vantpanels.com/support

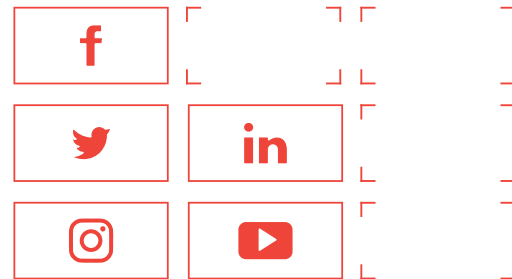
[vänt].

DONE!

i'll share

almost done! 

Snap an after picture to share with family and friends
#myvant



Welcome to the vänt look!

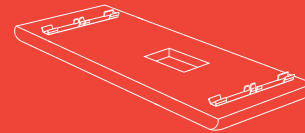
[vänt].

FAQ

[Got questions? We have answers]



[Videos, Manuals, FAQs]
www.vantpanels.com/support



Cut-out for an outlet

To cut-out for an outlet, measure for the placement of the outlet on your panel and mark your cut-out the size of your outlet/switch. Gently cut through the wood with a jigsaw and through the upholstery with a razor knife. Pull your electrical box through the opening and then place your cover on just as on a regular wall.

www.vantpanels.com
86 RT 59, Spring Valley, NY 10977
800-520-VANT
info@vantpanels.com