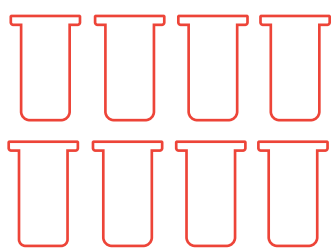
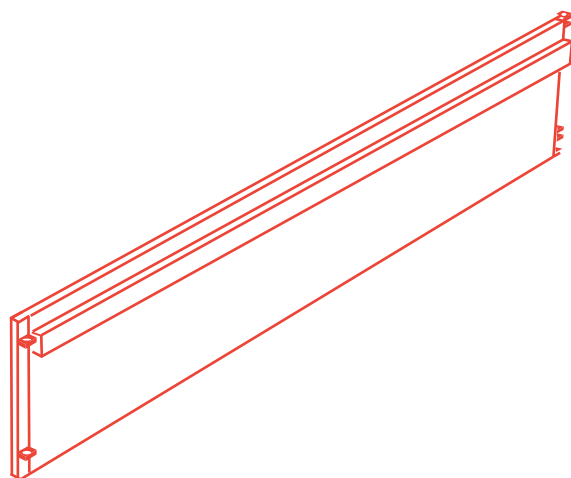


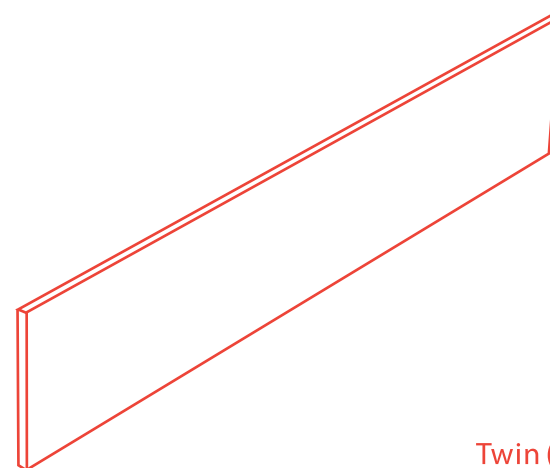
WHATS IN MY BOX



PINS (8)

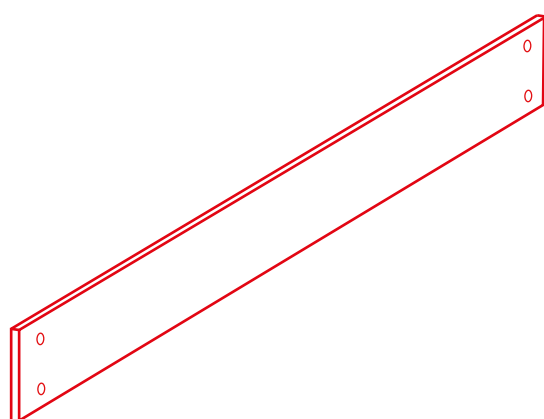


SIDE PANELS (2)

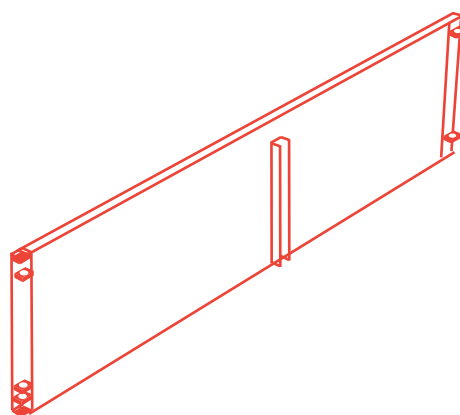


SUPPORT BEAM (1)

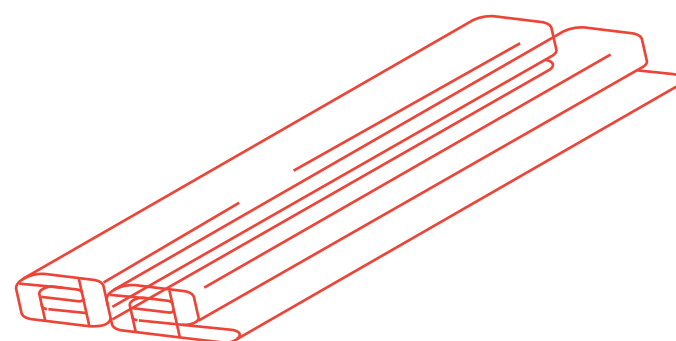
Twin (0)
Full, Queen (1)
King (2)



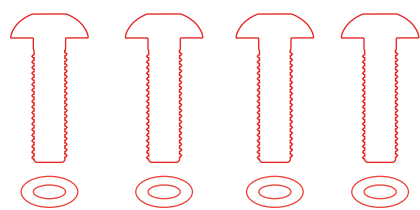
SUPPORT SLAT (1)



END PANELS (2)



SUPPORT SLATS (2)



SCREWS FOR SUPPORT SLAT (4)

FREQUENTLY ASKED QUESTIONS

Moving my bed around?

If you are just moving it a couple of inches to either side, you can just push it while on the floor. If you need to lift the bed make sure to remove the support slats and support beam before lifting the bed, as they are not attached to the bed.

The pins barely fit in the holes. What should I do?

The pins only go into the joint from the top down. If you're having trouble inserting the pins, make sure all the panels are oriented with the arrows pointing up.

My foundation is almost set up, but I can't get the final pin into place. What's the secret?

The pins are designed to fit very tight in the joints. If you're having trouble getting the final pin into place, pull out the third pin you inserted. Now insert the pin you were having trouble placing, and then slide the other pin back into place.

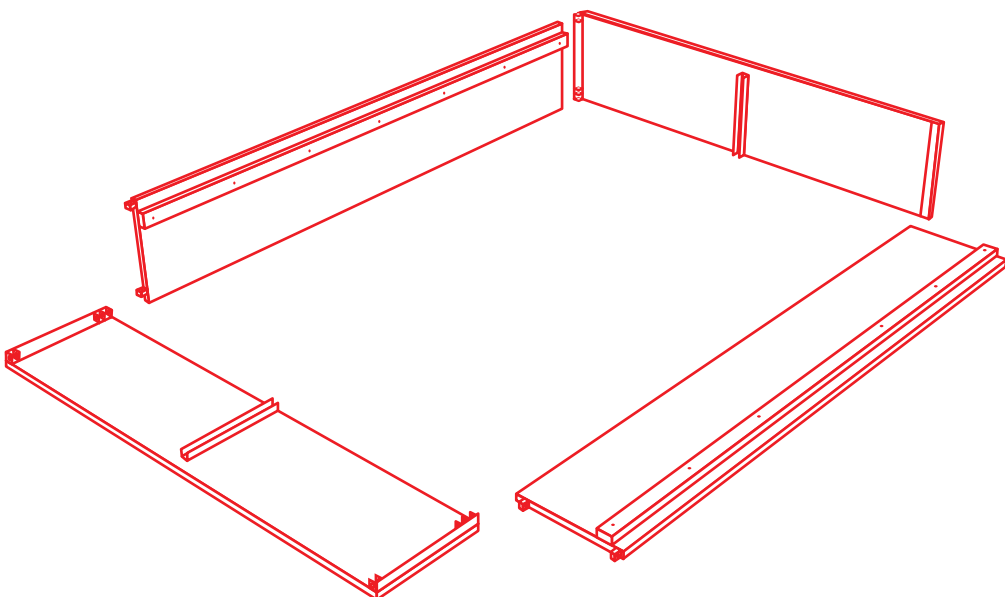
How do I disassemble my bed?

You will start by removing the support slats and support beam, you will then push with your finger from underneath the pins upwards so they pop up, and with that your bed has been disassembled.

YOUR VÄNT PLATFORM BED

Arrange all panels so the arrows point up. Align the joints in all 4 corners and latch them together by interlocking them.

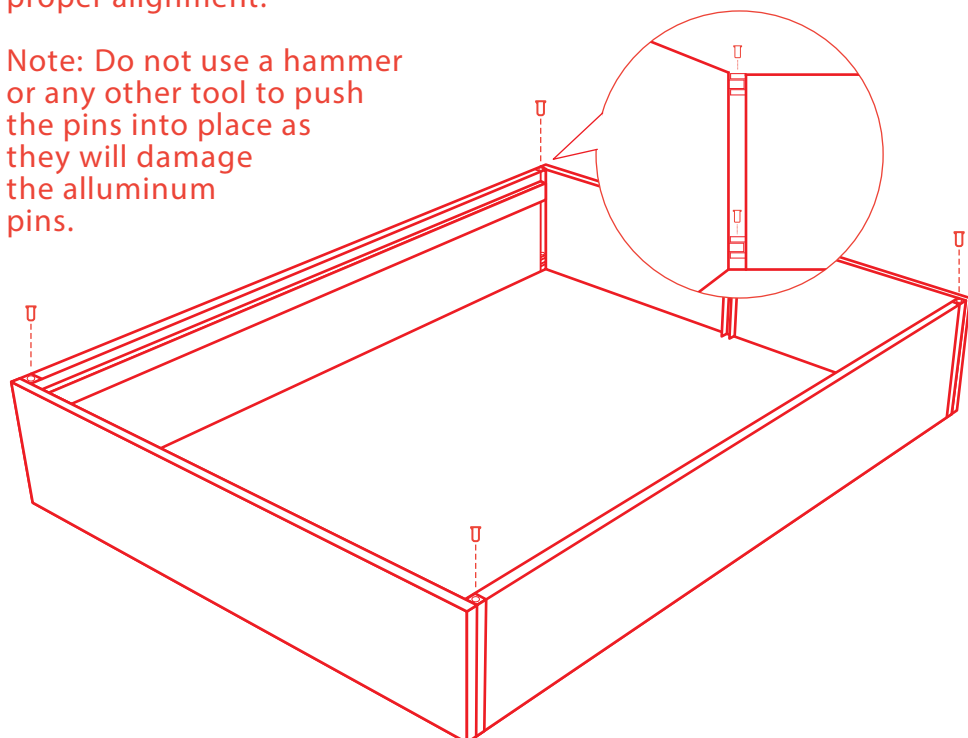
STEP 1



Fasten the interlocked joints by inserting one pin at the top of the joint and a second pin at the bottom of the joint. Push the pins down firmly to ensure proper alignment.

STEP 2

Note: Do not use a hammer or any other tool to push the pins into place as they will damage the aluminum pins.

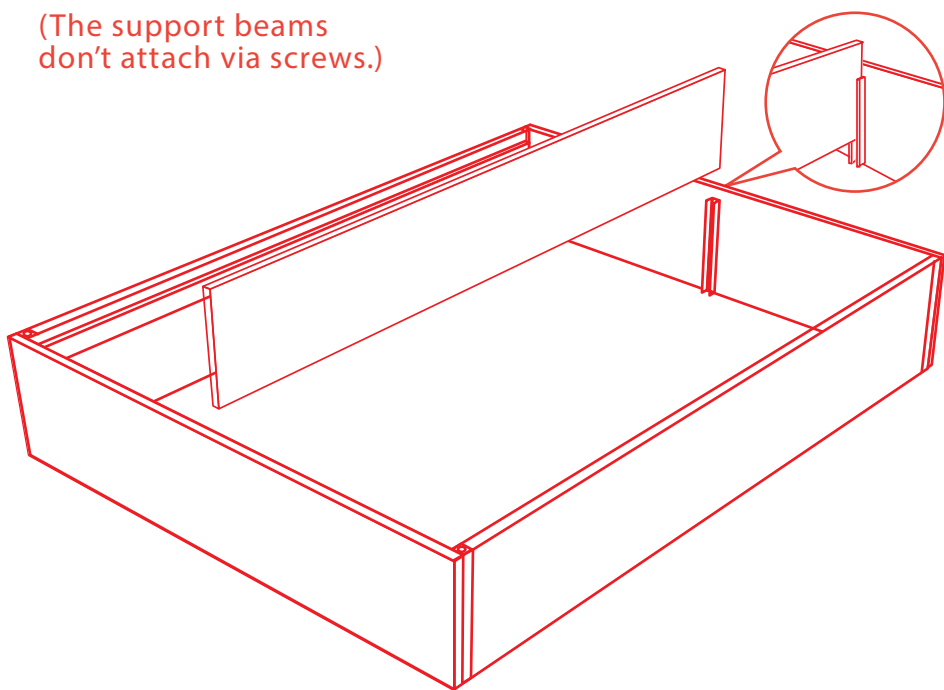


Slide the support beam into the open aluminum brackets located on the two ends of the bed.

STEP 3

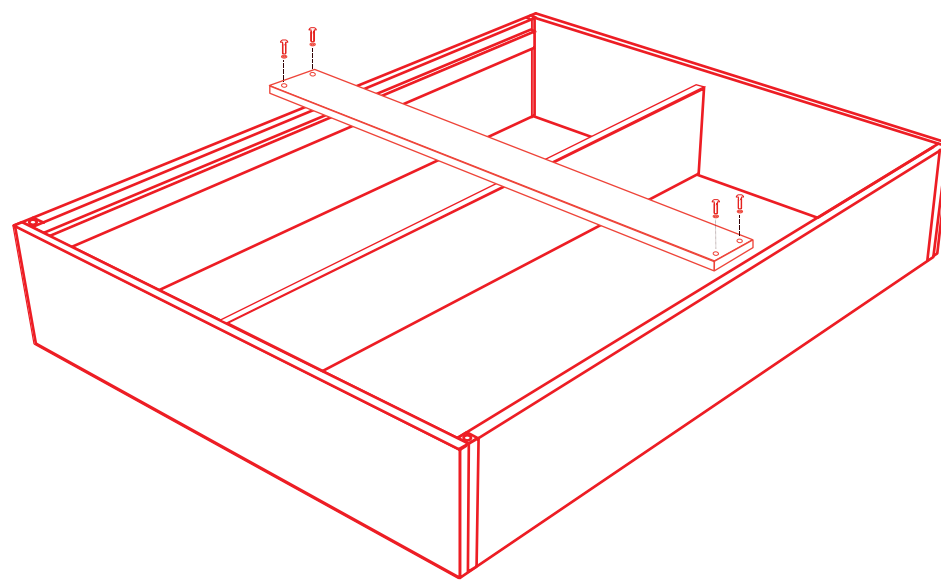
Note: King requires two support beams. Twin does not need a support beam.

(The support beams don't attach via screws.)



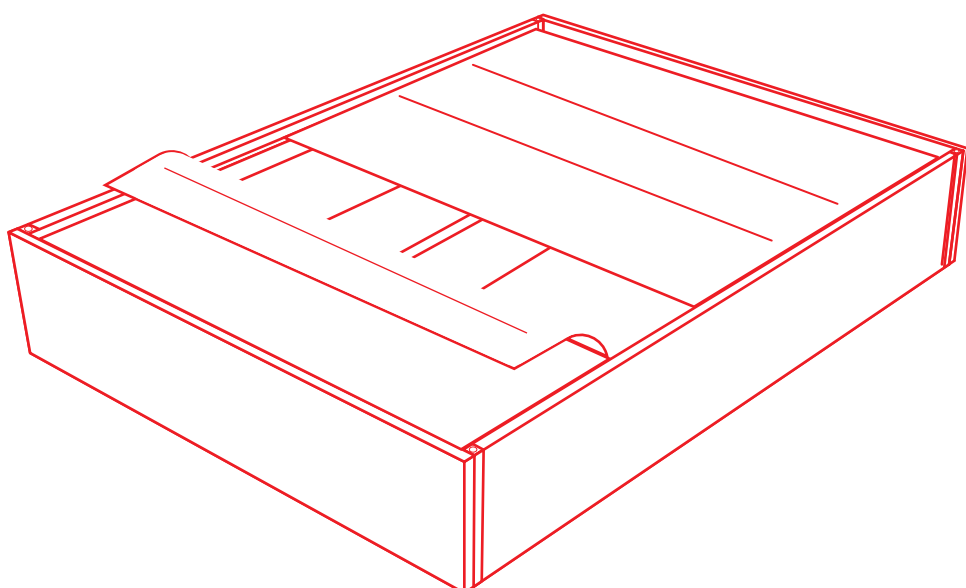
Place the center support slat and screw it in to the pre drilled wholes

STEP 4



Place the support slats along one end and unroll towards the other end, covering the frame like a mat. Repeat for the other side.

STEP 5



Your Vânt platform bed is complete!
All it needs is your mattress!

QUESTIONS? WE'RE ON CALL
Get in touch one of our Vântainers
if you have questions about Vânt,

Call us 800-520-VANT
Email us info@vantpanels.com
Monday through Thursday
9:30am- 6 pm ET
Friday 9:30am-12pm ET