

Use And Care Instructions:

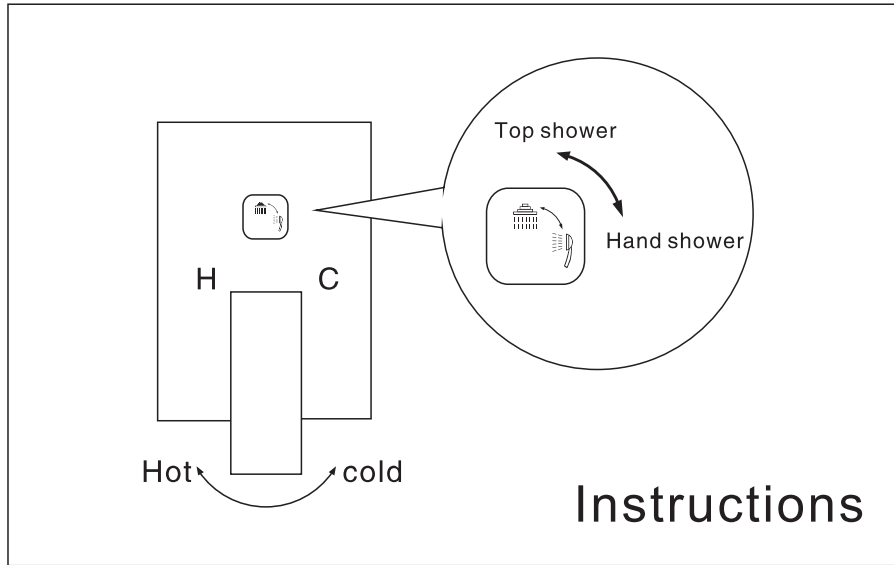
◆ Rain shower/ Handheld Shower Switch

Turn the switch to the “Top shower logo” and it will be the rain shower mode.

Turn the switch to the “Hand shower logo” and it will be handheld shower mode.

◆ Temperature Switch

The Logo “H” stands for Hot Water, “C” Stands for Cold Water, you can manually adjust the temperature by turning the handle to the H/C side



In order to keep your shower system look perfectly, we suggest cleaning the shower system regularly.

Please obey the following procedure when you clean the mixer.

1. Use clear water and the soft cloth to clean the dirt.

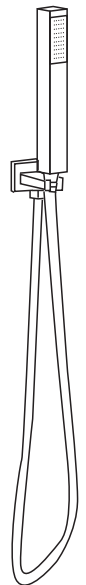
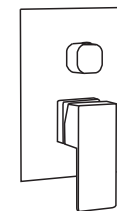
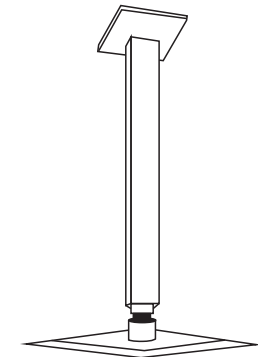
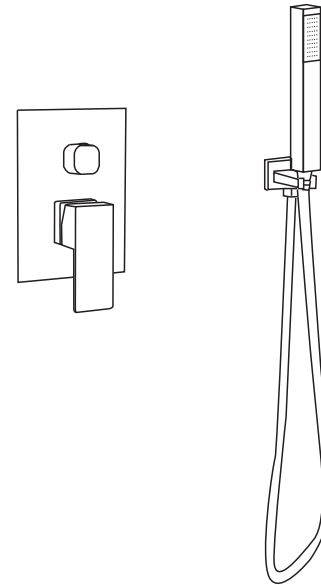
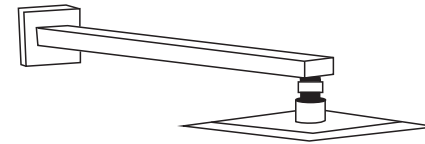
2. Use the any following cleanser to remove the dirt.

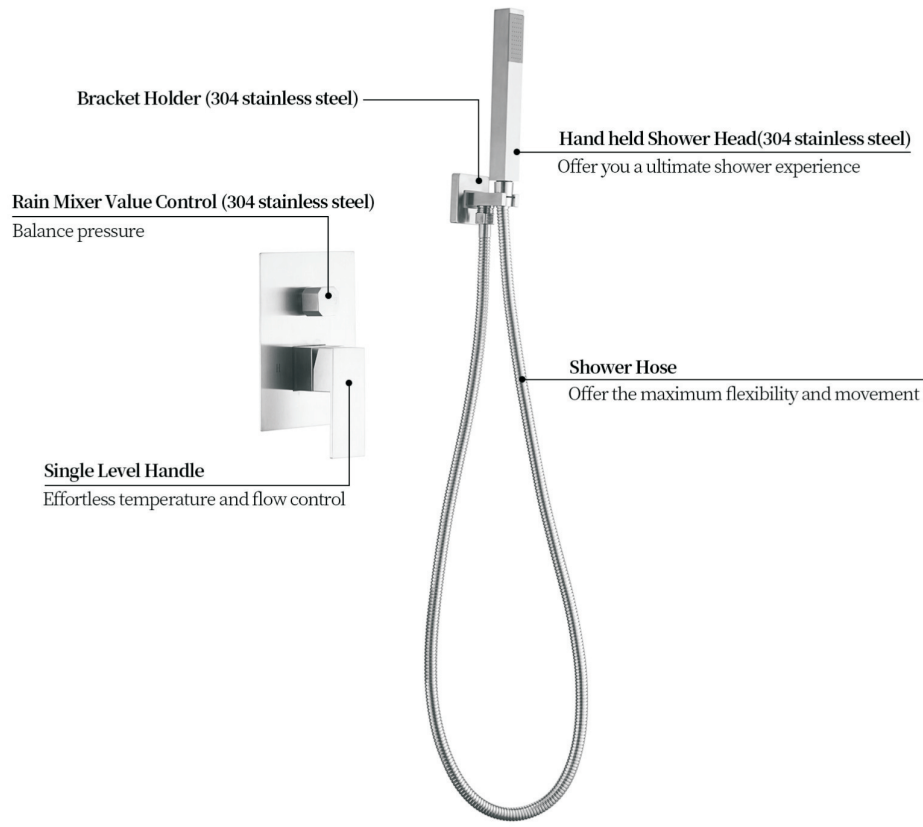
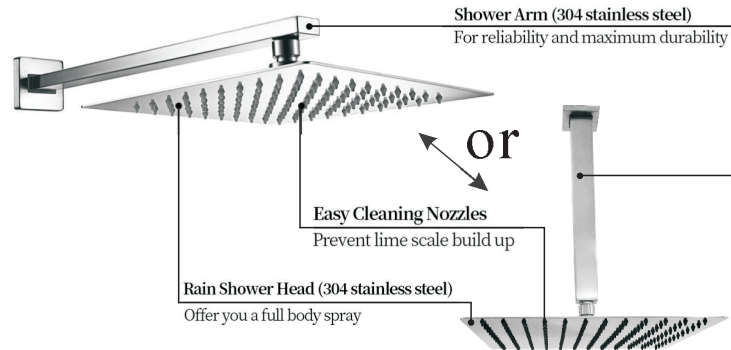
- Gentle liquid detergent.
- Colorless cleanser.

3. Please clean and remove all the cleanser after finish the cleaning, and dry with the soft cotton cloth.

- ◆ Avoid using polishing powder or cleaning powders including coarse particles for cleaning
- ◆ Avoid using acidic detergent for cleaning

Rain Shower System Instruction Manual





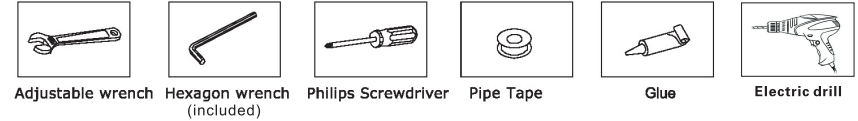
Before Installation:

Thank you for choosing our Rain Shower System. Hope that you'll enjoy a comfortable smooth bathing experience with this product. Before installation, please read this installation manual carefully and keep it properly in case you need it . This manual is about the installation and use of this Rain Shower System.

Technique Requirement

1. Proper Water pressure should be between 0.1Mpa-1.0Mpa, If water supply pressure exceeds 1.0 Mpa, a pressure reducing valve must be fitted.
2. Clean the impurity and sludge in the hose before assembling to avoid leaking and blockage
3. This shower system needs to be installed inside the wall. Please read this manual carefully to confirm the dimensions of products and keep the proper position on the wall.
4. The intake/outlet pipes need to be wrapped with Teflon tape. Use a Teflon tape to wrap a few turns in the clockwise direction on the thread of the pipes. (This is very important. The direction of the Teflon tape must be tangled clockwise. If not, it will leak.)
5. Turn off the water supply before installation

Installation Tools To Be Needed

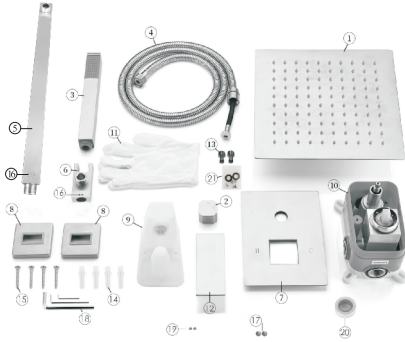


Inventory Accessories

Please check carefully to make sure all the accessories are included in the package, if there is something missing, please contact the seller immediately.

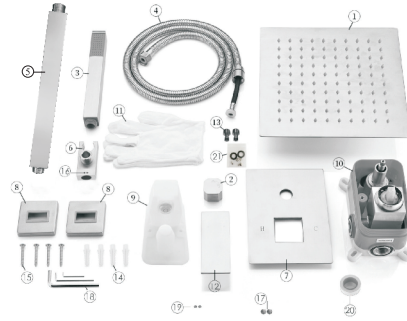
Packing List

Wall mounted shower items



Num	Accessories	Quantity
1	10 inch 304 Stainless Steel Rain Shower Head	1
2	304 Stainless Steel Rain Mixer Valve Control	1
3	304 Stainless Steel Handheld Shower Head	1
4	Stainless steel Shower Hose with 2 Rubber Gaskets inside	1
5	Stainless Steel Wall Mounted Shower Arm	1
6	304 Stainless Steel Bracket Holder	1
7	304 Stainless Steel Panel	1
8	Decorative Cover	2
9	Embedded Box Cover	1
10	Embedded Box	1
11	Glove	1
12	Single Level Handle	1
13	Screws for Shower Arm and Bracket Holder(Large)	2
14	White Screws for Fixing the Embedded Box	4
15	Screws for Fixing the Embedded Box	4
16	Small Hexagonal Screws inside ⑤ and ⑥	4
17	Small Covers	2
18	"L" Shape Tool(Large &Medium& Small)	3
19	Large Hexagonal Screws for ② and ⑫	2
20	Teflon Tape	1
21	Spare Parts (2 Rubber Gaskets/6 Hexagonal Screws/2 Small Covers)	10

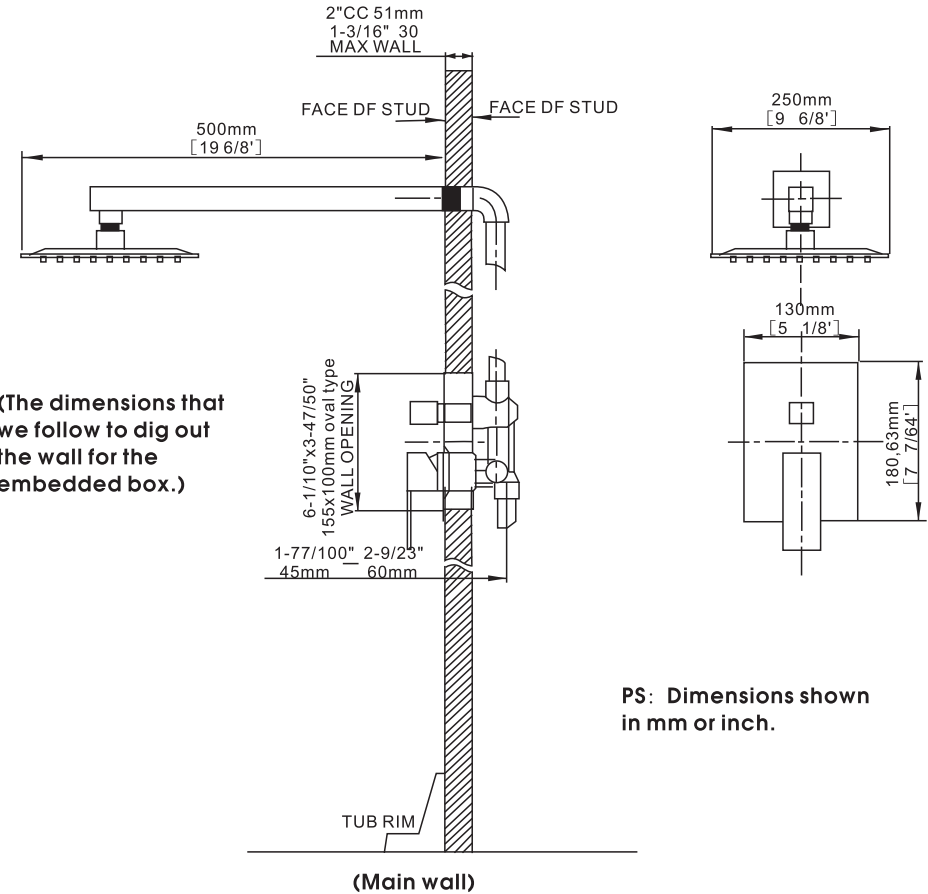
Ceiling mounted shower items



Num	Accessories	Quantity
1	10 inch 304 Stainless Steel Rain Shower Head	1
2	304 Stainless Steel Rain Mixer Valve Control	1
3	304 Stainless Steel Handheld Shower Head	1
4	Stainless steel Shower Hose with 2 Rubber Gaskets inside	1
5	Stainless Steel Ceiling Mounted Shower Arm	1
6	304 Stainless Steel Bracket Holder	1
7	304 Stainless Steel Panel	1
8	Decorative Cover	2
9	Embedded Box Cover	1
10	Embedded Box	1
11	Glove	1
12	Single Level Handle	1
13	Screws for Shower Arm and Bracket Holder(Large)	2
14	White Screws for Fixing the Embedded Box	4
15	Screws for Fixing the Embedded Box	4
16	Small Hexagonal Screws inside ⑤ and ⑥	4
17	Small Covers	2
18	"L" Shape Tool(Large &Medium& Small)	3
19	Large Hexagonal Screws for ② and ⑫	2
20	Teflon Tape	1
21	Spare Parts (2 Rubber Gaskets/6 Hexagonal Screws/2 Small Covers)	10

Product Dimensions

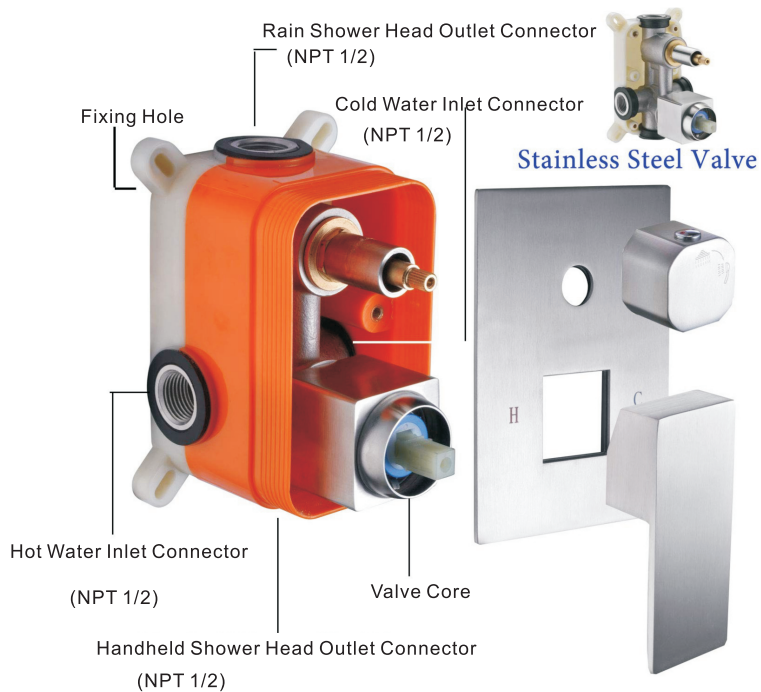
(Thickness of wall that we advise.)



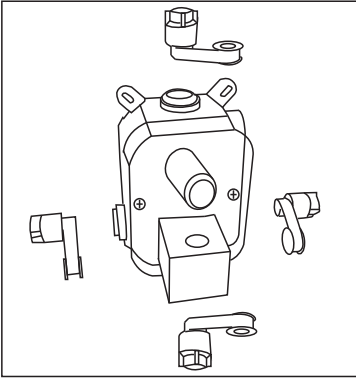
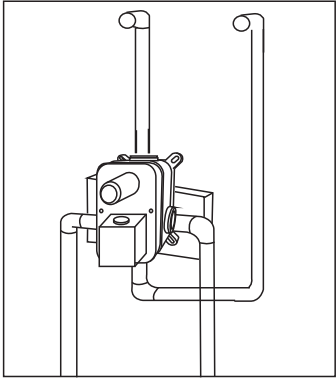
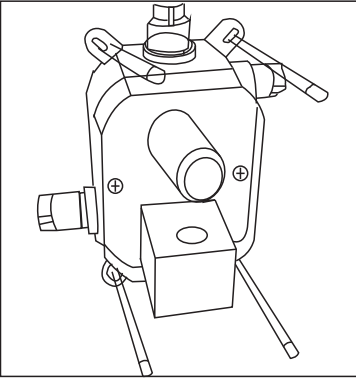
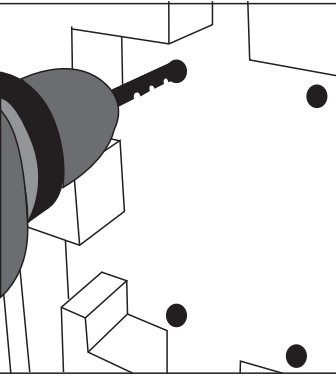
Installation Of Rain Shower System

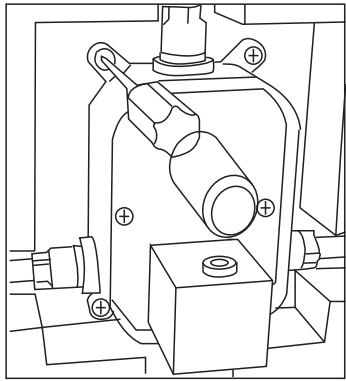
◆ Install The Shower Mixer Valve Control

Make sure the Shower Mixer Valve is connected to the correct Hot/Cold Water side

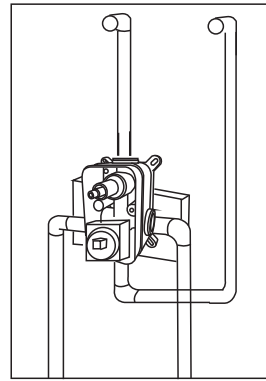


◆ Installation Steps

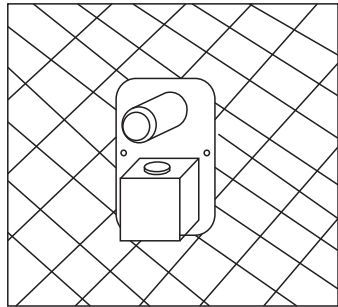
 <p>Step 1: The intake/outlet pipes need to be wrapped with Teflon tape. Use a Teflon tape to wrap a few turns in the clockwise direction on the thread of the pipes.</p>	 <p>Step 2: Connect the water pipe with the embedded box ⑩.</p>
 <p>Step 3: Confirm the location of the embedded box and the pipes. Then mark them.</p>	 <p>Step 4: After confirm the location, dig out the routes of the pipes. And remove the embedded box and drill the hole. Then use the electric drill to drill white screws ⑭ into the wall.</p>



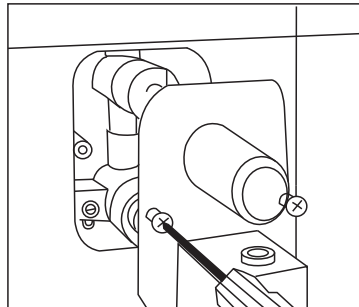
Step 5:
Fix the embedded box on the wall with four screws ⑮.



Step 6:
Remove the embedded box cover ⑨ from the valve control, then with the handle help, each inlet and outlet pipe shall be pressure tested to ensure no leakage.

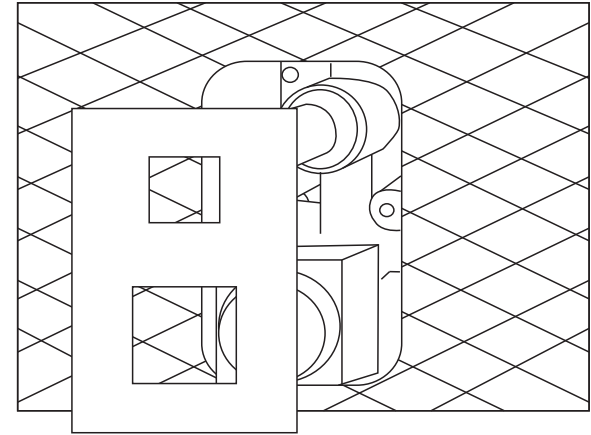


Step 7:
The embedded box cover ⑨ can protect the box from dust. Cover the embedded box and wait for the wall to be tiled.

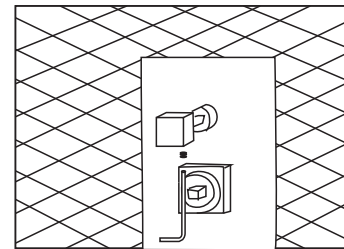


Step 8:
After the wall tiled, remove the cover of the embedded box

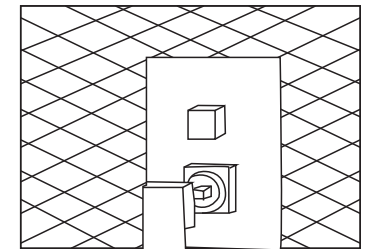
◆ Install the panel



Step 1



Step 2



Step 3

Step1. Cover the panel ⑦ .
Step2. Fix the Rain Mixer Valve Control ② with a hexagonal screw ⑮ and a small cover ⑰ .
Step3. Fix the Single Level Handle ⑫ with a hexagonal screw ⑮ and a small cover ⑰ .

◆ Install The rain shower Head

For wall mounted showers

Step 1. Screw the thread into the water pipe in side the wall.
 Step 2. Screw the main body into the thread.
 Step 3. Rotate and fix with the alien wrench

Step 4. The rain shower head connects to the arm.

For ceiling mounted showers

Step 1. Wrap the teflon tape on the thread
 Step 2. Clockwise rotation of the ceiling arm to the pipe

Step 3. The rain shower head connects to the arm.

◆ Install The handheld shower Head

Step 1. Use the Teflon Tape ⑳ to wrap the screw ⑬ .
 Step 2. Use the "L" Shape Tool ⑬ to screw the screw ⑬ into the water pipe inside the wall.
 Step 3. Connect the Bracket Holder ⑥ with the screw ⑬ . Use the "L" Shape Tool ⑬ to screw two small Hexagonal Screws ⑯ inside the Bracket Holder.

Step 4. Connect the Handheld Shower Head ③ and Bracket Holder ⑥ with the Hose ④ .
 Make sure the Rubber Gaskets ⑱ inside the Hose.